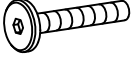



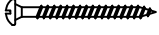

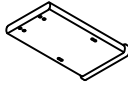
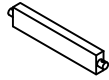
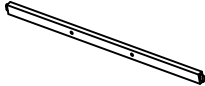


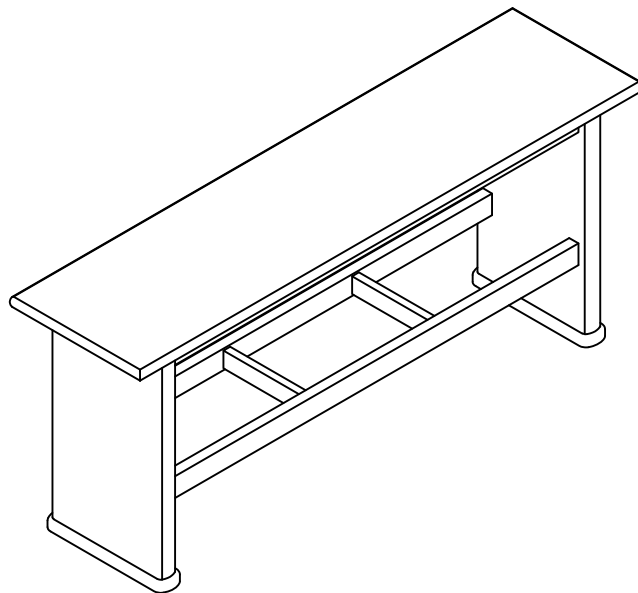
WARNING: To avoid alignment issue, please don't tighten the screws unless all legs are adjusted at the same level.

Step	Code	Hardware	Q'TY
1	A	Bolt Ø5/16" x 18 x 2" Boulon Ø5/16" x 18 x 2" 	8 Pcs 8 Pièces
1	B	Spring Washer Ø5/16" x Ø1/2" x 1/16" Rondelle de ressort Ø5/16" x Ø1/2" x 1/16" 	8 Pcs 8 Pièces
1	C	Flat Washer Ø5/16" x Ø3/4" x 1/16" Rondelle plate Ø5/16" x Ø3/4" x 1/16" 	8 Pcs 8 Pièces
	D	Allen Key 5/32" Clé Allen 5/32" 	1 Pc 1 Pièce
	E	Screw Ø8 x Ø4 x 2" Vis a bois Ø8 x Ø4 x 2" 	8 Pcs 8 Pièces

	PART LIST	QTY'
1	SEAT SIEGE 	1 PC 1 PIÈCE
2	LEGS PIEDS 	2 PCS 2 PIÈCES
3	CENTER STRETCHER BARREAU 	2 PCS 2 PIÈCES
4	SIDE STRETCHER BARREAU 	2 PCS 2 PIÈCES

TOOLS REQUIRED (NOT PROVIDED)

Phillips Screwdriver



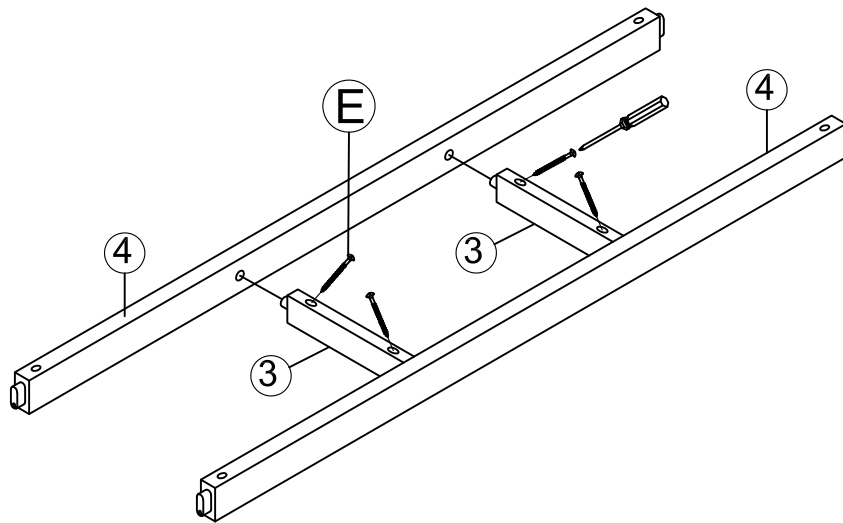
ASSEMBLY COMPLETED

Hardware Pack Location(s):

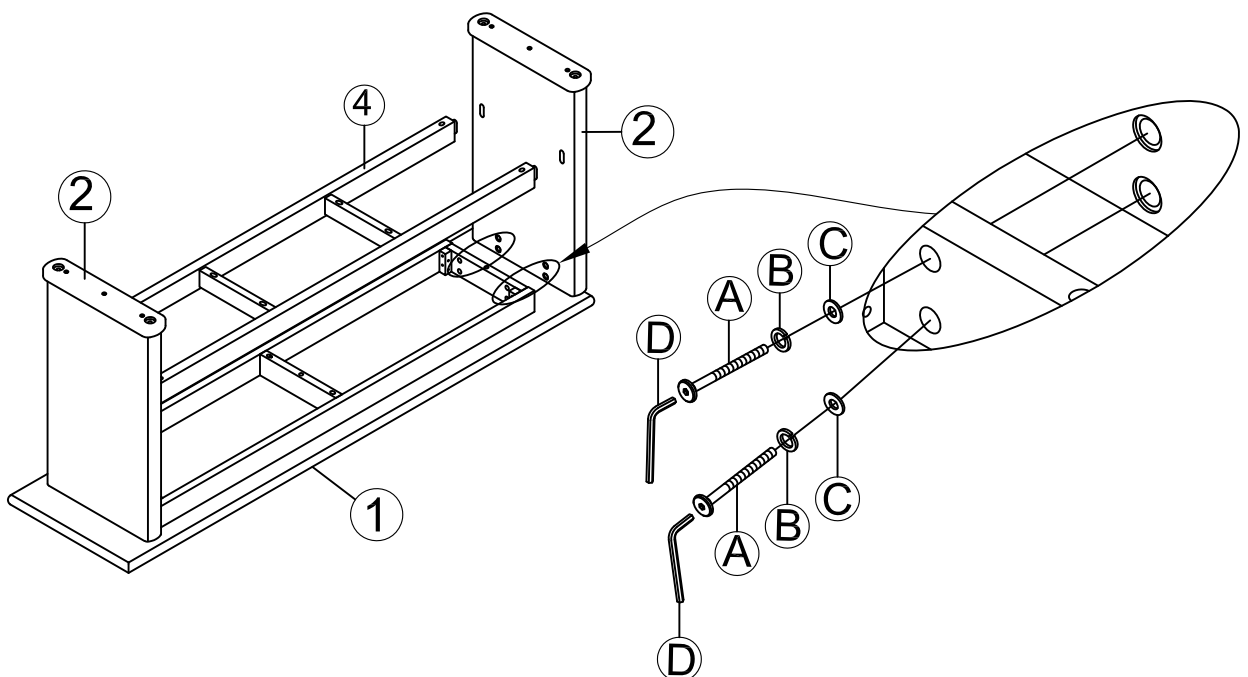
***Caution: Please read all instructions carefully before starting the assembly process. These parts are cumbersome and heavy. Therefore, two people are recommended in order to prevent personal injury and ensure the parts are not damaged during the assembly.

***Avertissement: veuillez lire toutes les instructions attentivement avant de commencer l'assemblage. Ces pièces sont encombrantes et lourdes. Il est recommandé d'être deux personnes pour l'assemblage afin de prévenir des blessures et/ou risquer d'endommager les pièces.

**STEP 1
ÉTAPE 1**



**STEP 2
ÉTAPE 2**



***Caution: Please read all instructions carefully before starting the assembly process. These parts are cumbersome and heavy. Therefore, two people are recommended in order to prevent personal injury and insure the parts are not damaged during the assembly.

***Avertissement: veuillez lire toutes les instructions attentivement avant de commencer l'assemblage. Ces pièces sont encombrantes et lourdes. Il est recommandé d'être deux personnes pour l'assemblage afin de prévenir des blessures et/ou risquer d'endommager les pièces.

STEP 3 ÉTAPE 3

