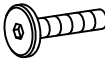




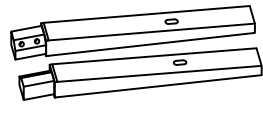
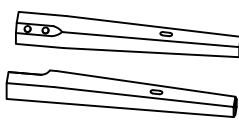
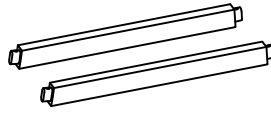




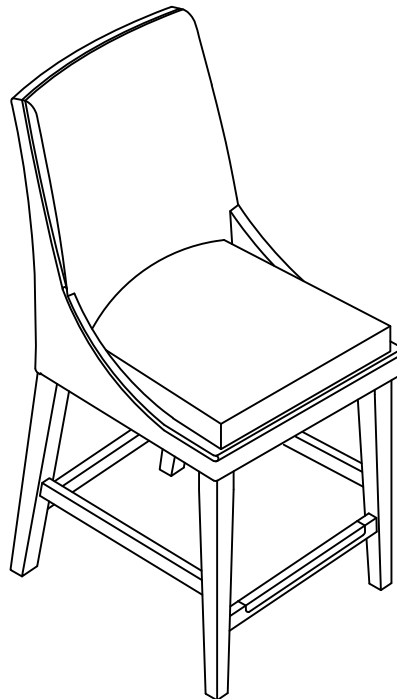
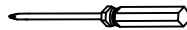
WARNING: To avoid alignment issue, please don't tighten the screws unless all legs are adjusted at the same level.

Step	Code	Hardware	Q'TY
1	A	Bolt $\varnothing 1/4" \times 20 \times 2-1/8"$ Boulon $\varnothing 1/4" \times 20 \times 2-1/8"$	8 Pcs 8 Pièces
			
1	B	Spring Washer $\varnothing 5/16" \times \varnothing 1/2" \times 1/16"$ Rondelle de ressort $\varnothing 5/16" \times \varnothing 1/2" \times 1/16"$	8 Pcs 8 Pièces
			
1	C	Flat Washer $\varnothing 5/16" \times \varnothing 3/4" \times 1/16"$ Rondelle plate $\varnothing 5/16" \times \varnothing 3/4" \times 1/16"$	8 Pcs 8 Pièces
			
2	D	Allen Key $5/32"$ Clé Allen $5/32"$	1 Pc 1 Pièce
			
3	E	Screw $\varnothing 8 \times \varnothing 4 \times 2"$ Vis a bois $\varnothing 8 \times \varnothing 4 \times 2"$	8 Pcs 8 Pièces
			

	PART LIST	QTY'
1	COMPLETE SEAT SIÈGE COMPLET	1 PC 1 PIÈCE
2	BACK LEG (LEFT - RIGHT) AMBE ARRIÈRE (GAUCHE - DROIT)	2 PCS 2 PIÈCES
		
3	FRONT LEG (LEFT - RIGHT) PIEDS AVANT (GAUCHE - DROIT)	2 PCS 2 PIÈCES
		
4	SIDE STRETCHER (LEFT - RIGHT) BARREAU (GAUCHE - DROIT)	2 PCS 2 PIÈCES
		
5	BACK STRETCHER TENDEUR ARRIÈRE	1 PC 1 PIÈCE
		
6	FRONT STRETCHER BRANCARD AVANT	1 PC 1 PIÈCE
		

TOOLS REQUIRED (NOT PROVIDED)

Phillips Screwdriver



ASSEMBLY COMPLETED

Hardware Pack Location(s):

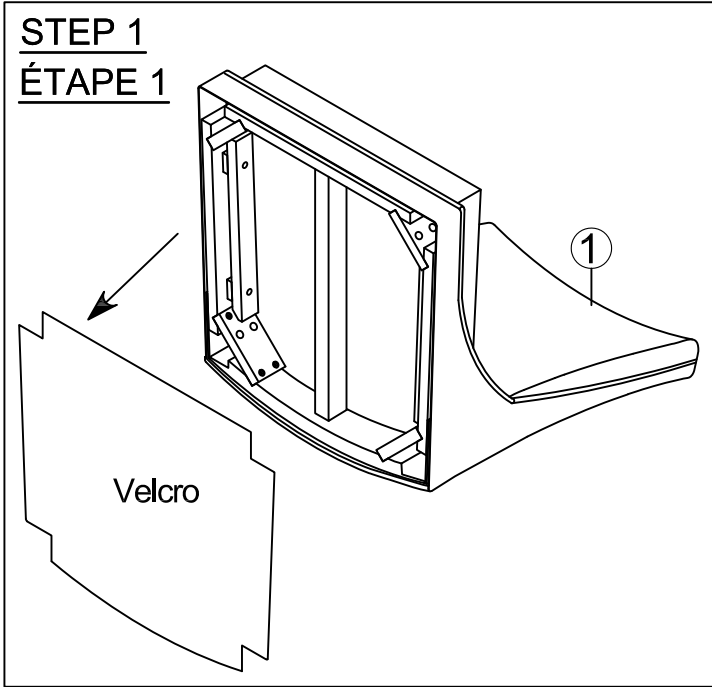
1143-CPB315-S

Upholstered Gathering Stool

SKU: 43611436

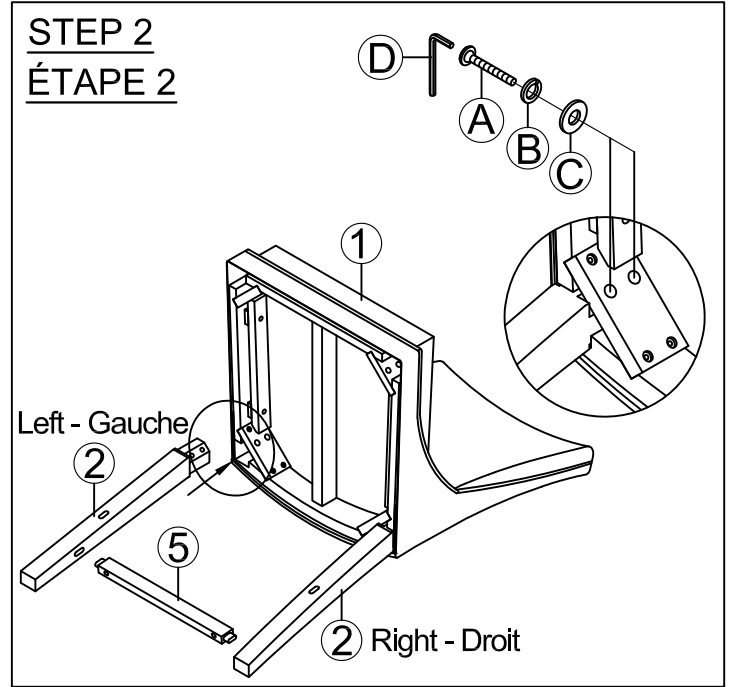
***Caution: Please read all instructions carefully before starting the assembly process. These parts are cumbersome and heavy. Therefore, two people are recommended in order to prevent personal injury and ensure the parts are not damaged during the assembly.

***Avertissement: veuillez lire toutes les instructions attentivement avant de commencer l'assemblage. Ces pièces sont encombrantes et lourdes. Il est recommandé d'être deux personnes pour l'assemblage afin de prévenir des blessures et/ou risquer d'endommager les pièces.

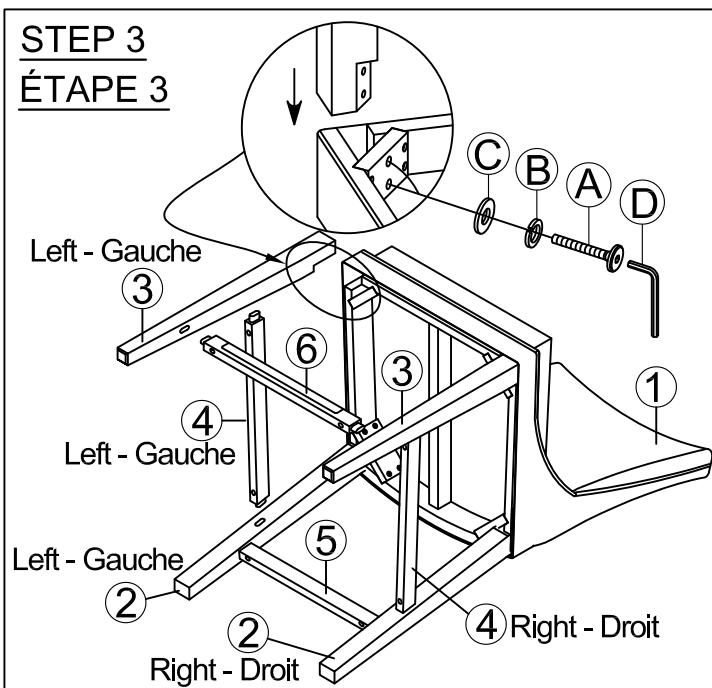


Put out the velcro from the complete seat.

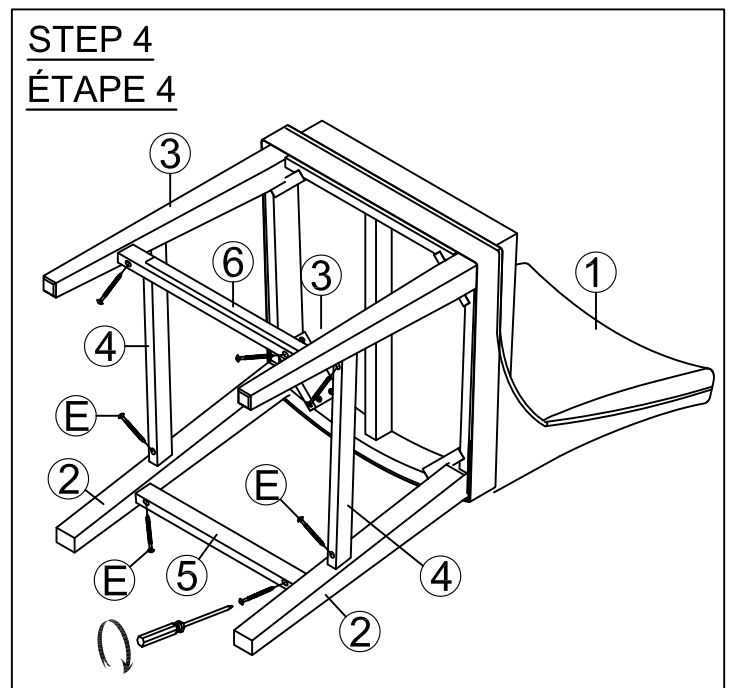
Note: Do not tighten all screws & bolts until the seat is fully assembly



Attach the back legs to the complete seat. At the same time attach the back stretcher to back leg.



Attach the front leg to the complete seat. At the same time attach the side stretcher, front stretcher to front leg and back leg.



Attach the screws to the stretchers.