

Thank you for purchasing this quality product. Be sure to check all packing material carefully for small parts. Which may have come loose inside the carton during shipment. Identify and count all parts and compare with the hardware list as below:

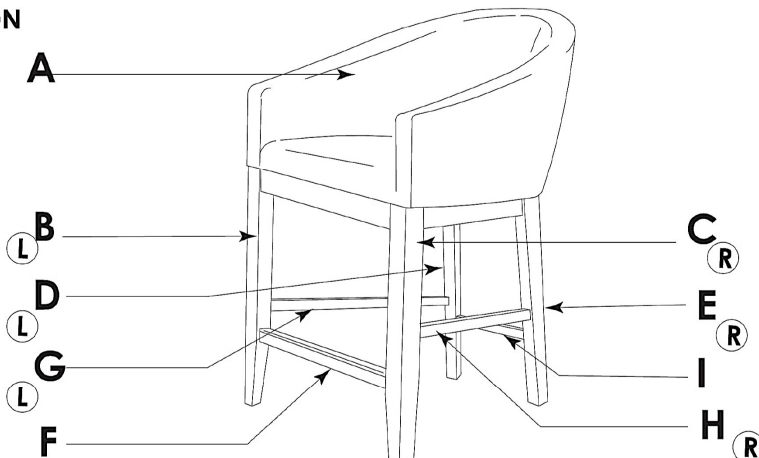
### PARTS LIST

ITEM	DIAGRAM	DESCRIPTION	QUANTITY
<b>A</b>		CHAIR SEAT	1 Pc
<b>B</b>		FRONT LEG LEFT with sticker <b>(L)</b>	1 Pc
<b>C</b>		FRONT LEG RIGHT with sticker <b>(R)</b>	1 Pc
<b>D</b>		BACK LEG LEFT with sticker <b>(L)</b>	1 Pc
<b>E</b>		BACK LEG RIGHT with sticker <b>(R)</b>	1 Pc
<b>F</b>		FRONT CROSS BAR	1 Pc
<b>G</b>		LEFT CROSSBAR with sticker <b>(L)</b>	1 Pc
<b>H</b>		RIGHT CROSSBAR with sticker <b>(R)</b>	1 Pc
<b>I</b>		REAR CROSS BAR	1 Pc

### HARDWARE LIST

ITEM	DIAGRAM	DESCRIPTION	DIMENSION	QUANTITY
<b>1</b>		ALLEN KEY	M4	1 Pc
<b>2</b>		JCBC BOLT	M6 x P1.0 x 70mm	8 Pcs
		SPRING WASHER	M6 x 12mm	8 Pcs
		FLAT WASHER	M6 x 19 x 1.0mm	8 Pcs
<b>3</b>		CSK SCREW	M4 x 38mm	8 Pcs
		TOOLS REQUIRED - Household Screwdriver (not provided)		

### PARTS IDENTIFICATION



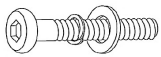
### Hardware Pack Location(s):

CURVED COUNTER STOOL SKU # 43620269 , 43720261 , 43620283 , 43720285

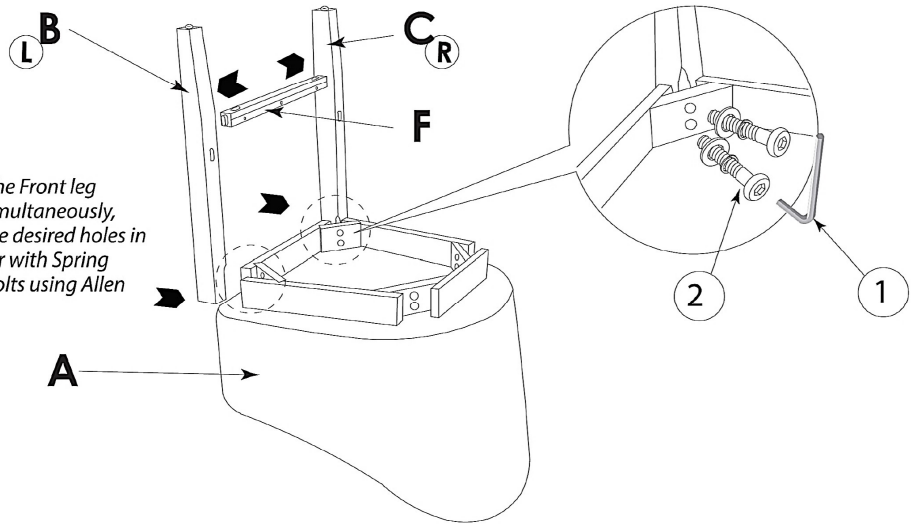
# ASSEMBLY STEPS

## STEP 1

2 x 4 sets

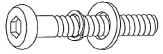


Assemble the Front Legs Right (C) & the Front leg Left (B) into the seat frame (A), and simultaneously, assemble the Front Cross bar (F) to the desired holes in both legs. then, align bolt (2) together with Spring washer & Flat washer. Tighten the bolts using Allen key (1), but not fully tighten yet.

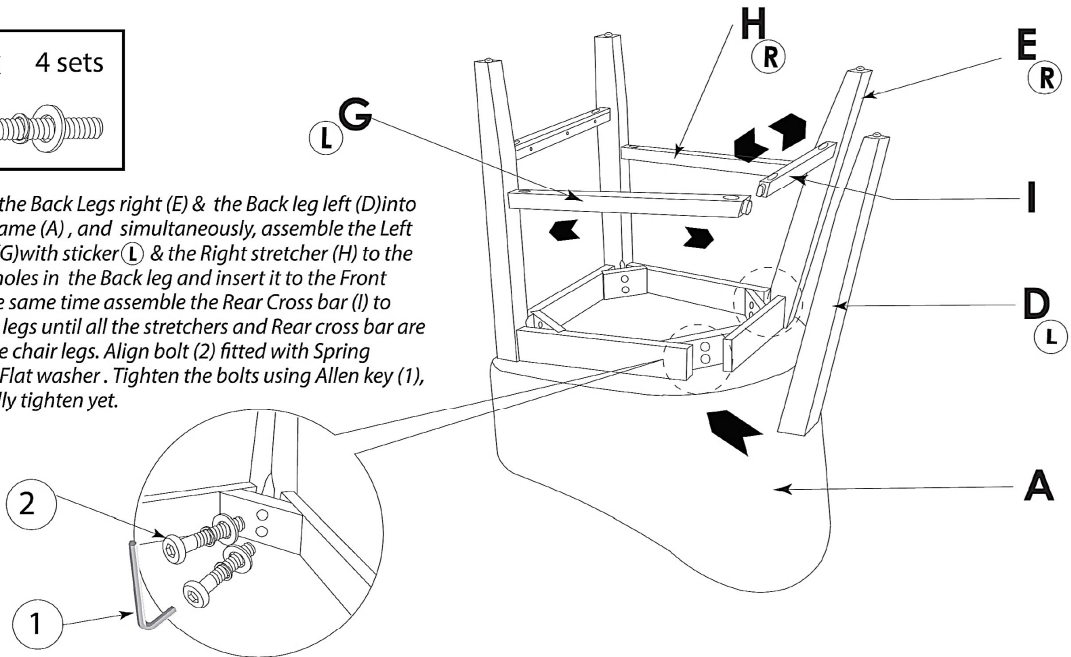


## STEP 2

2 x 4 sets



Assemble the Back Legs right (E) & the Back leg left (D) into the seat frame (A), and simultaneously, assemble the Left Stretcher (G) with sticker (L) & the Right stretcher (H) to the provided holes in the Back leg and insert it to the Front legs, at the same time assemble the Rear Cross bar (I) to both Back legs until all the stretchers and Rear cross bar are snug to the chair legs. Align bolt (2) fitted with Spring washer & Flat washer. Tighten the bolts using Allen key (1), but not fully tighten yet.



## STEP 3

3 x 8 pcs



Fit the Stretchers and Cross bars using Screw (3). Use a \*household Screw driver to tighten screws.

\*House hold Screwdriver is not provided.

### NOTE:

To ensure the chair stands leveled, put the chair upright on a flat & hard surface. Adjust it and ensure all the legs are balanced so they do not wobble.

Once adjusted, then fully tighten all the bolts and screws while making sure that the unit remains level on a flat surface.

