



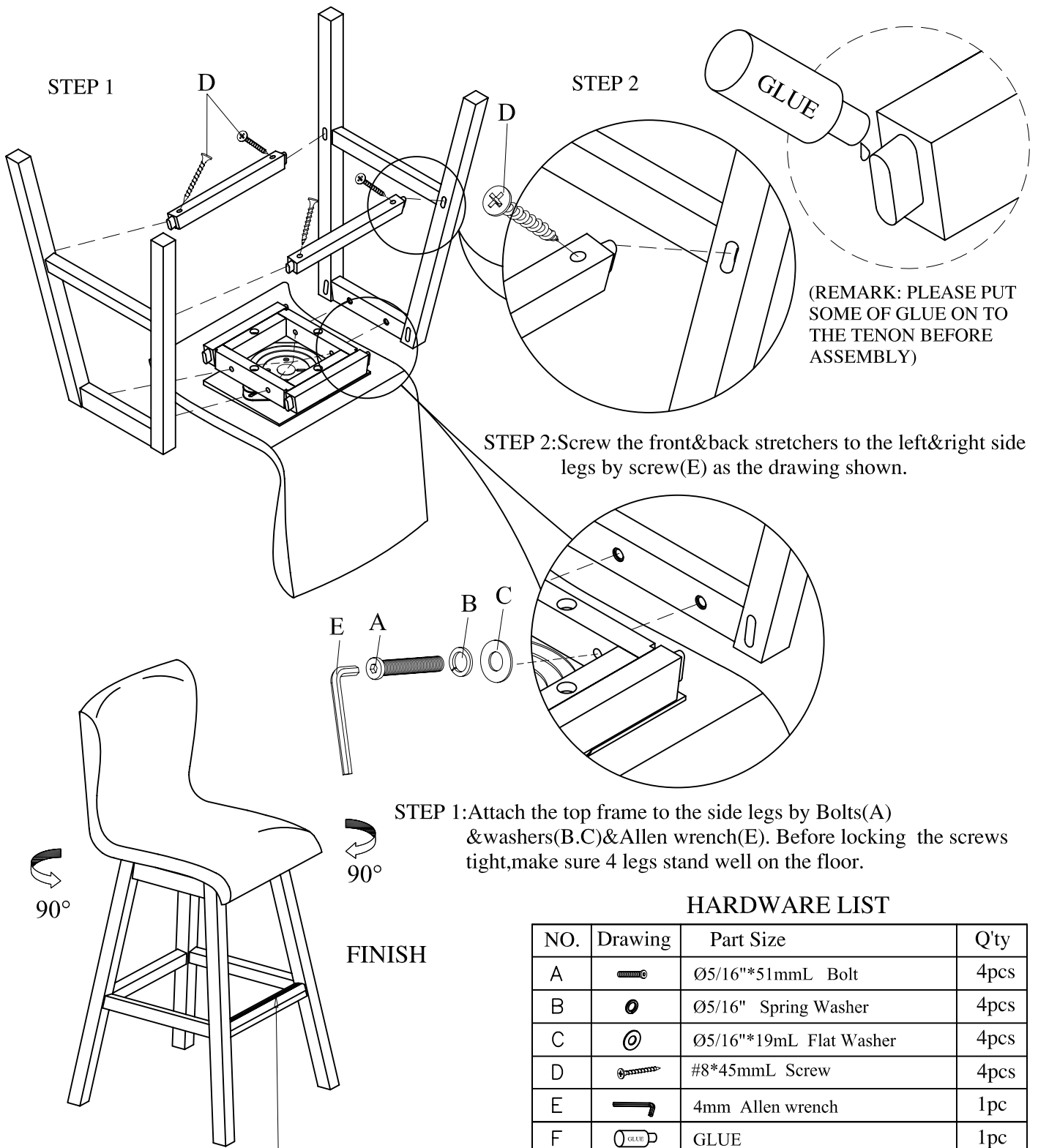
ASSEMBLY INSTRUCTION

DESCRIPTION: BAR CHAIR

ITEM NO: 1302-11

SKU NO:43413032

Thank you for purchasing this quality product. Be sure to check all packing material carefully for small parts that may have come loose inside the carton during shipment. Identify and count all parts and compare with parts list below.



Stretcher with footrest protection on the front

MADE IN VIETNAM



ASSEMBLY INSTRUCTION

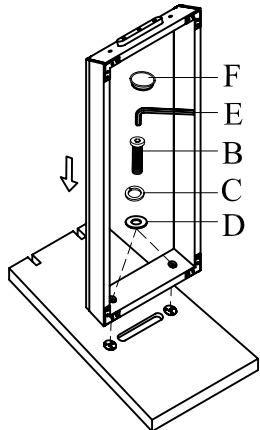
DESCRIPTION: CURVED BAR BENCH

ITEM NO: 1302-12

SKU NO:43613036

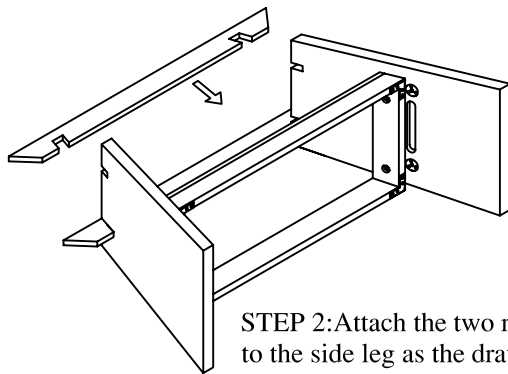
Thank you for purchasing this quality product. Be sure to check all packing material carefully for small parts that may have come loose inside the carton during shipment. Identify and count all parts and compare with parts list below.

STEP 1



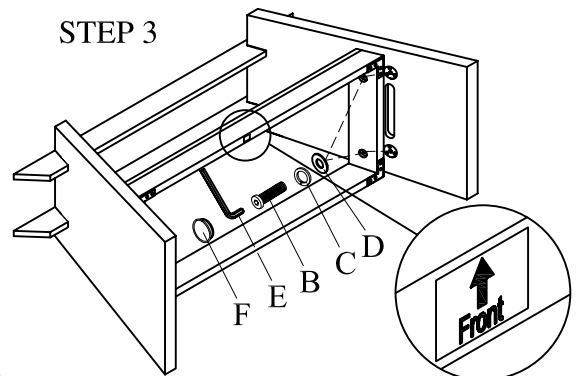
STEP 1: Attach the base frame to one side leg by using bolts(B)&washers(C&D)& Allen wrench(E). Then Cover the plastic Cap(F) on the bolt(B).

STEP 2



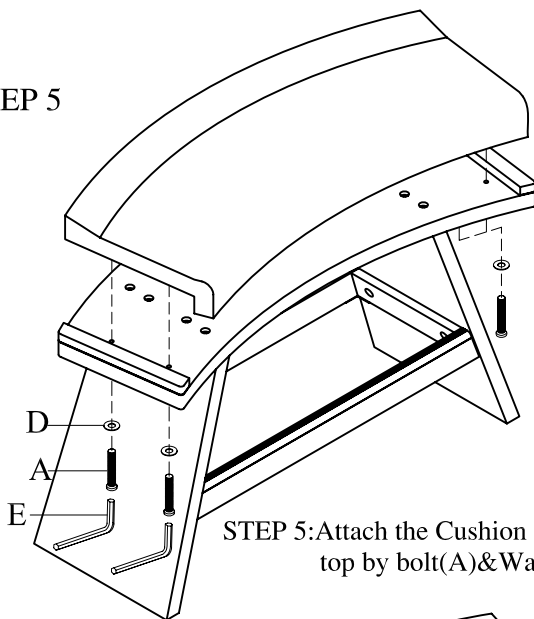
STEP 2: Attach the two rails to the side leg as the drawing shown.

STEP 3



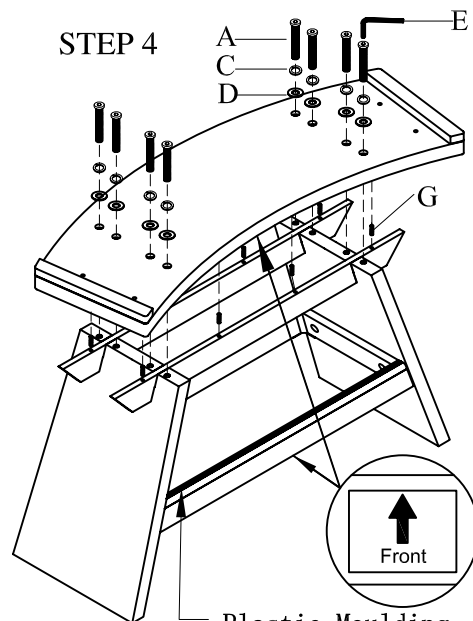
STEP 3: Attach another leg by using bolts(B)&washers(C&D)&Allen wrench(E). Then Cover the plastic Cap(F) on the bolt(B).

STEP 5



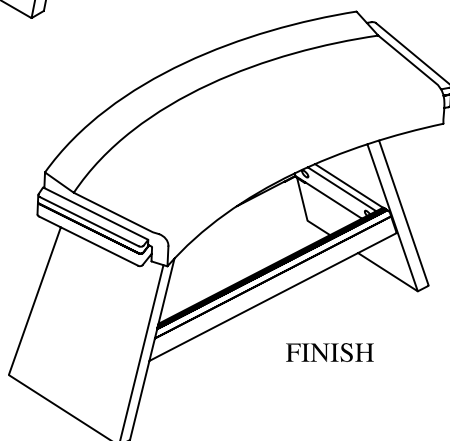
STEP 5: Attach the Cushion to the top by bolt(A)&Washers(C&D).

STEP 4



STEP 4: Attach the top to the side legs by bolt(A)&Washers(C&D).

Plastic Moulding
HARDWARE LIST



FINISH

NO.	Drawing	Part Size	Q'ty
A		Ø5/16"*2"L Bolt	12pcs
B		Ø5/16"*1-1/2"L Bolt	4pcs
C		Ø5/16" Spring Washer	12pcs
D		Ø5/16"*Ø3/4" Flat Washer	16pcs
E		4mm Allen wrench	1pc
F		Ø25*9mm Plastic Cap	4pcs
G		Ø8*30mmL Wood Dowel	8pcs

MADE IN VIETNAM