

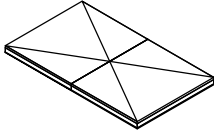
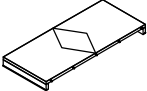
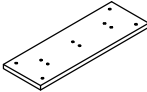
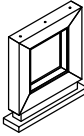
# ASSEMBLY INSTRUCTION



PULA: 3380-240 Pedestal Table Base  
PULA: 3380-241R Pedestal Table Top

SKU: 42033807  
SKU: 43133800

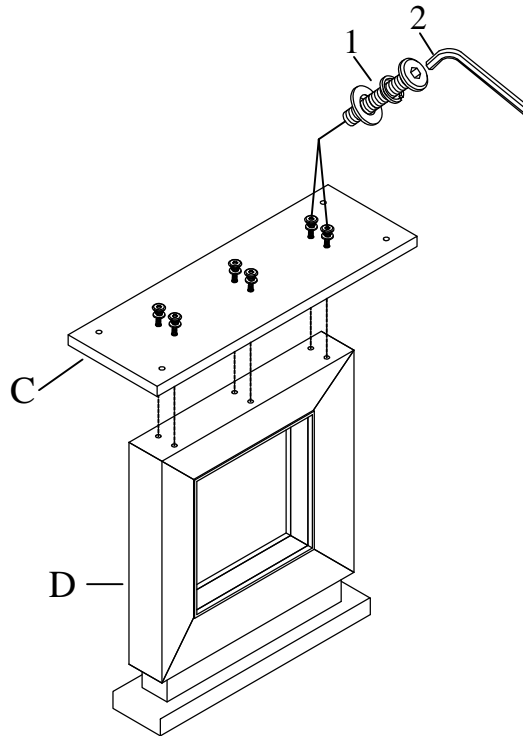
This product is manufactured by PULA for Rooms To Go

\*\*\* Caution: Please read all instructions carefully before starting the assembly process. These parts are cumbersome and heavy. Therefore, two people are recommended in order to prevent personal injury and ensure the parts are not damaged during the assembly.  
\*\*\* Remark: DO NOT fully tighten all bolts until assembly is completed.

Code	PARTS LIST :		
A	Table Top		1Pc
B	Table Leaf		2Pcs
C	Support		2Pcs
D	Table base		2Pcs

Code	HARDWARE LIST		
1	Ø5/16" x 19*2mm Flat Washer		20Pcs
	Ø5/16" Spring Washer		20Pcs
	Ø5/16" x 18 x 1-3/4" Allen Head Bolt		20Pcs
2	4mm Allen Key		1Pc

## STEP 1



### Hardware Pack Location (s):

3380-241R - PEDESTAL TABLE TOP , SKU: 43133800

# ASSEMBLY INSTRUCTION

PULA: 3380-240 Pedestal Table Base  
PULA: 3380-241R Pedestal Table Top

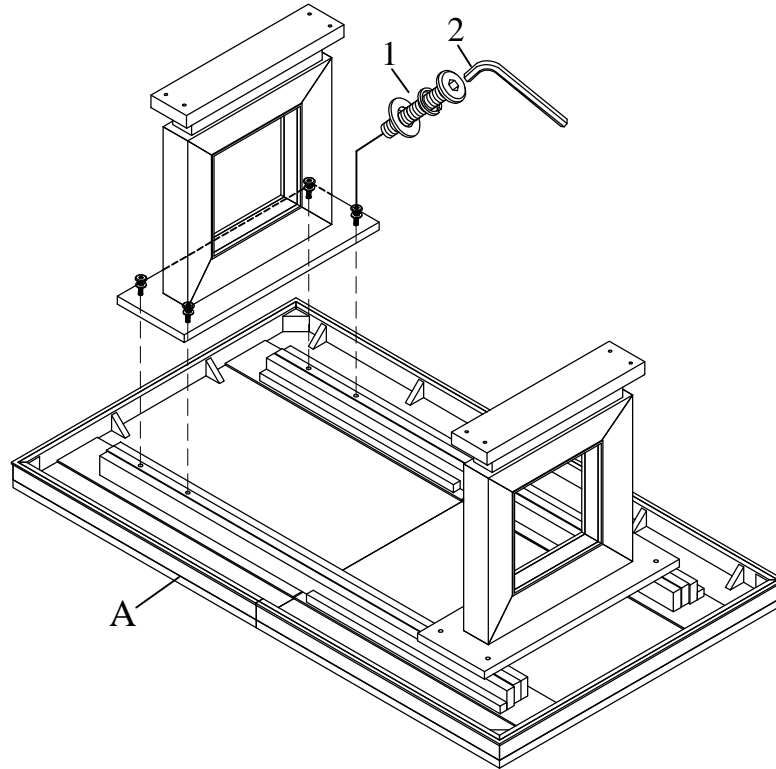
SKU: 42033807  
SKU: 43133800

This product is manufactured by PULA for Rooms To Go

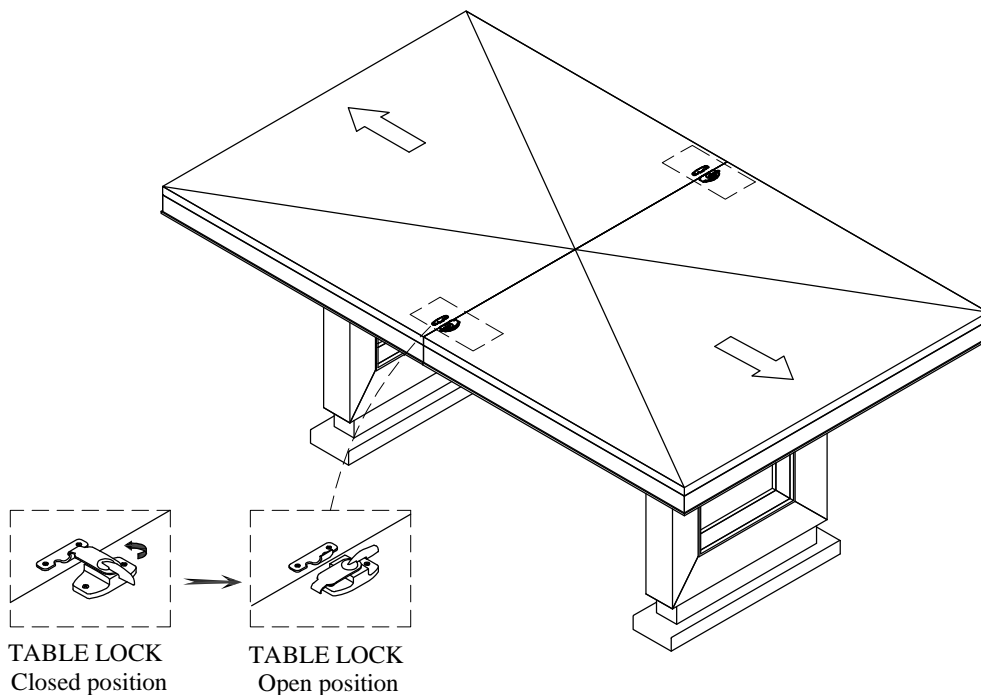
\*\*\* Caution: Please read all instructions carefully before starting the assembly process. These parts are cumbersome and heavy. Therefore, two people are recommended in order to prevent personal injury and ensure the parts are not damaged during the assembly.

\*\*\* Remark: DO NOT fully tighten all bolts until assembly is completed.

## STEP 2



## STEP 3



# ASSEMBLY INSTRUCTION

PULA: 3380-240 Pedestal Table Base

PULA: 3380-241R Pedestal Table Top

SKU: 42033807

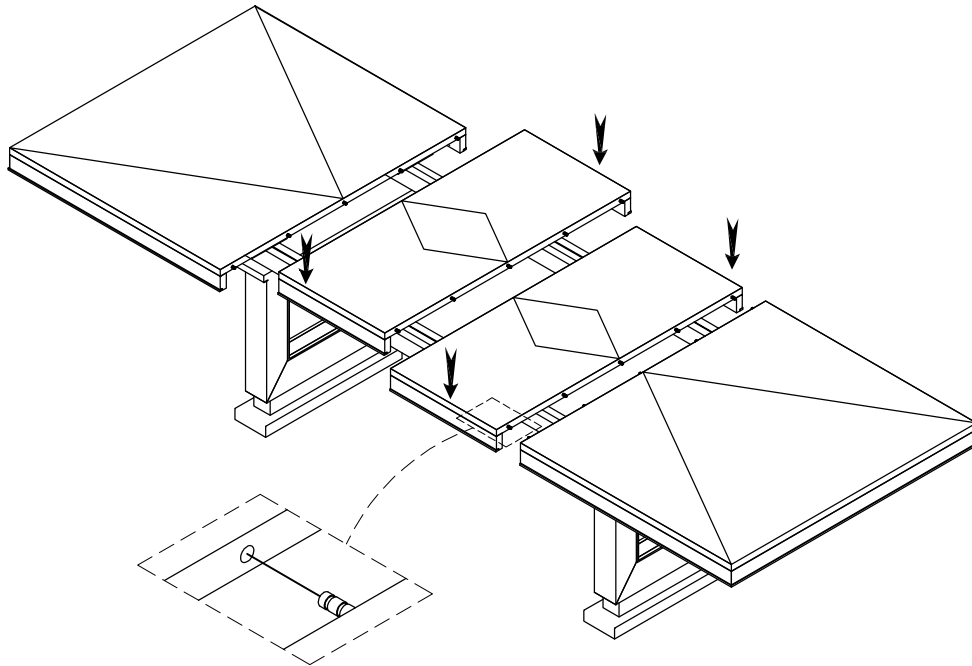
SKU: 43133800

This product is manufactured by PULA for **Rooms To Go**

\*\*\* Caution: Please read all instructions carefully before starting the assembly process. These parts are cumbersome and heavy. Therefore, two people are recommended in order to prevent personal injury and ensure the parts are not damaged during the assembly.

\*\*\* Remark: DO NOT fully tighten all bolts until assembly is completed.

## STEP 4



## STEP 5

