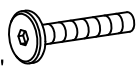





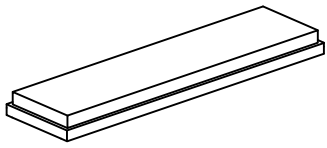
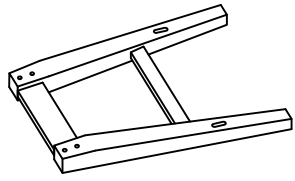
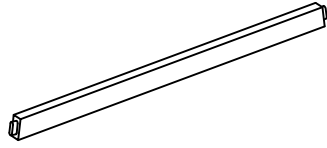


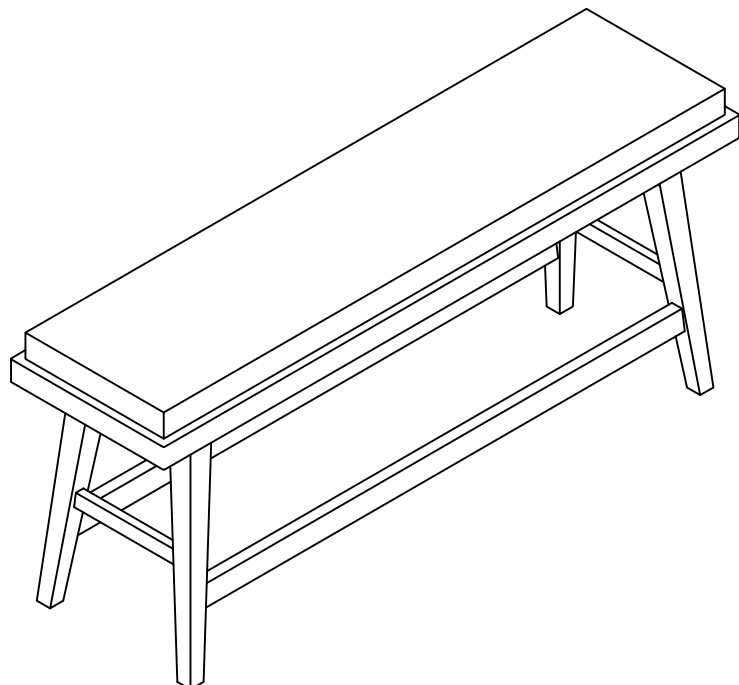
Assembly Instruction Instructions d'assemblage

HOUS 1105/6105-CPB118-BEN DARK FINISH COUNTER BENCH

SKU# 43561059

Step	Code	Hardware	Q'TY
1	A	Bolt Ø1/4" x 20 x 2-1/2" Boulon Ø1/4" x 20 x 2-1/2"	8 Pcs 8 Pièces
			
1	B	Spring Washer Ø5/16" x Ø1/2" x 1/16" Rondelle de ressort Ø5/16" x Ø1/2" x 1/16"	8 Pcs 8 Pièces
			
1	C	Flat Washer Ø1/4" x Ø1/2" x 1/16" Rondelle plate Ø1/4" x Ø1/2" x 1/16"	8 Pcs 8 Pièces
			
	D	Allen Key 5/32" Clé Allen 5/32"	1 Pc 1 Pièce
			
	E	Wood Plug Ø1/2" x 1/4" Bouton Enbois Ø1/2" x 1/4"	8 Pcs 8 Pièces
			
	F	Screw Ø8 x Ø4 x 2" Vis a bois Ø8 x Ø4 x 2"	4 Pcs 4 Pièces
			

	PART LIST	QTY'
1	SEAT SIEGE	1 PC 1 PIÈCE
		
2	LEGS PIEDS	2 PCS 2 PIÈCES
		
3	STRETCHER BARREAU	2 PCS 2 PIÈCES
		



ASSEMBLY COMPLETED

Hardware Pack Location(s):

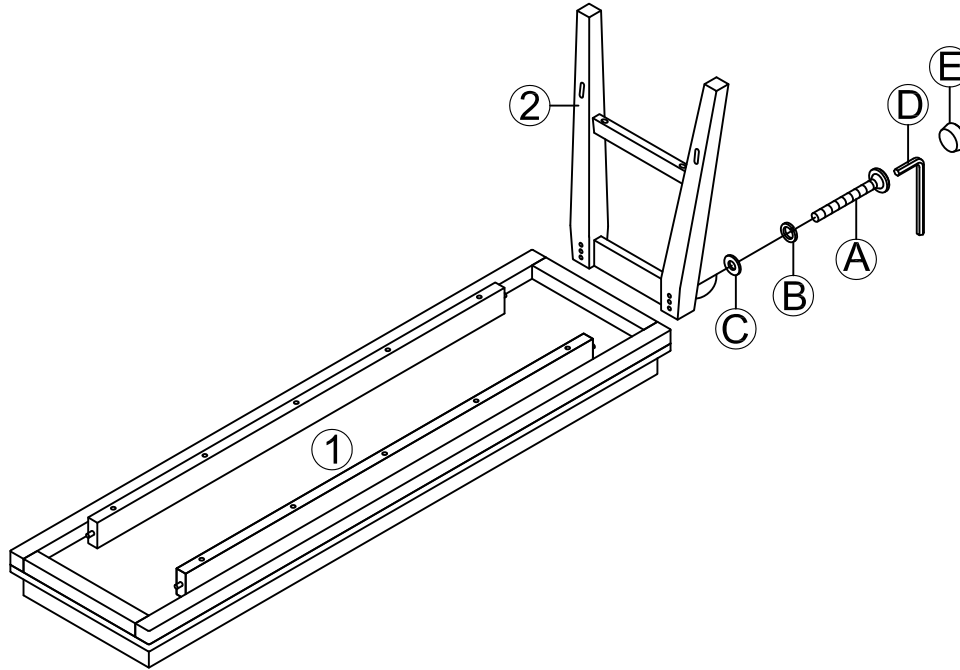
1105/6105-CPB118-BEN DARK FINISH COUNTER BENCH

SKU# 43561059

***Caution: Please read all instructions carefully before starting the assembly process. These parts are cumbersome and heavy. Therefore, two people are recommended in order to prevent personal injury and insure the parts are not damaged during the assembly.

***Avertissement: veuillez lire toutes les instructions attentivement avant de commencer l'assemblage. Ces pièces sont encombrantes et lourdes. Il est recommandé d'être deux personnes pour l'assemblage afin de prévenir des blessures et/ou risquer d'endommager les pièces.

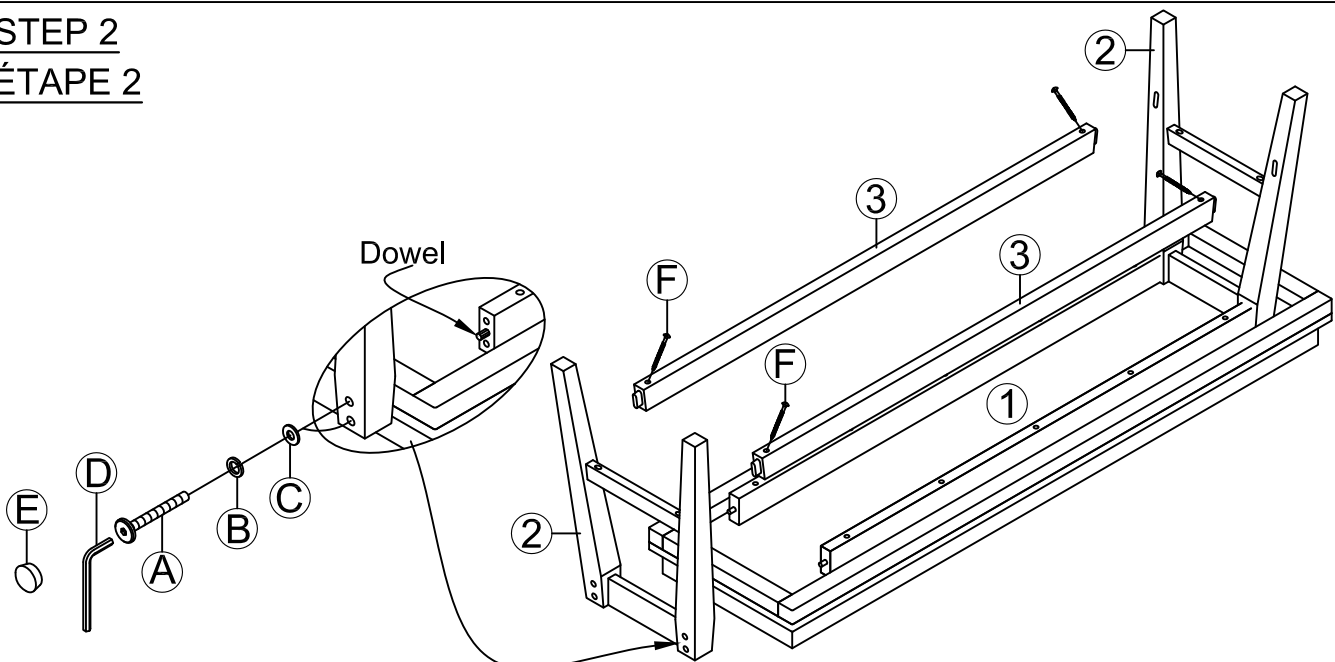
STEP 1
ÉTAPE 1



Attach the legs to the seat frame.

Note: Do not tighten all screws & bolts until the seat is fully assembly

STEP 2
ÉTAPE 2



Attach the legs to the seat frame. At the same time attach the stretchers to legs. Attach the screws to the stretchers.