







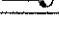

# ASSEMBLY INSTRUCTIONS

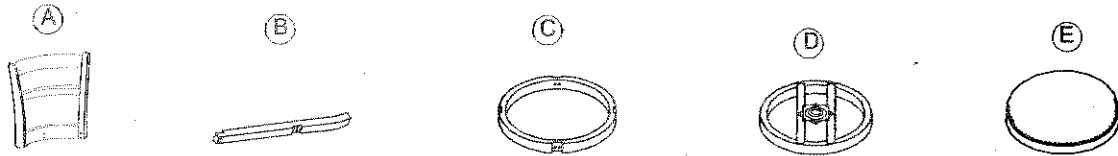
MODEL: TA-16026-CA-GG TA-16029-CA-GG

Please read this instruction carefully. Refer to hardware and furniture parts list for guidance. Be sure all parts are complete before assembling. Place all wooden furniture part on a clean and flat soft surface to prevent scratches. Do not tighten all screws until the stool is fully set up.

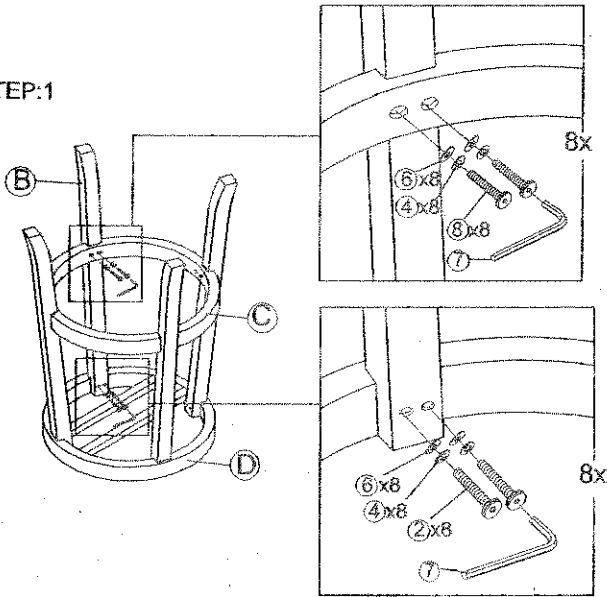
\*\*\*\*\*

PART LIST		
ITEM	DESCRIPTION	QTY
A	Backrest	1pc
B	Chair Leg	4pcs
C	Footrest	1pc
D	Apron with swivel plate	1pc
E	Cushion seat	1pc

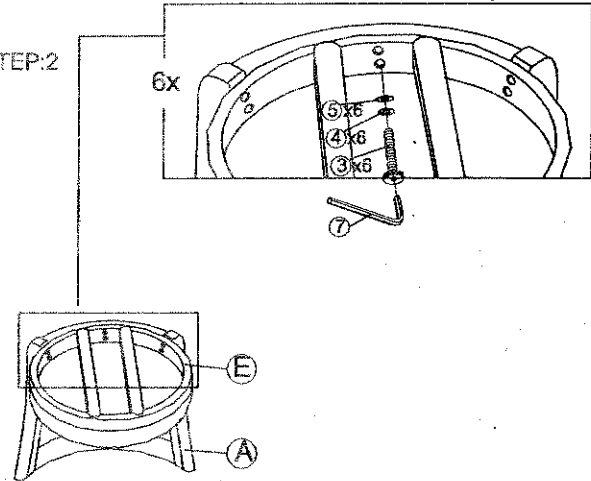
HARDWARE LIST		
ITEM	DESCRIPTION	QTY
1	JCBC Screw M6x25mm 	4pcs
2	JCBC Screw M6x40mm 	8pcs
3	JCBC Screw M6x45mm 	6pcs
4	Spring Washer M6x10mm 	22pcs
5	Flat Washer M6x16mm 	10pcs
6	Flat Washer M6x13mm 	16pcs
7	Allen Key Small M4 	1pc
8	JCBC Screw M6x35mm 	8pcs



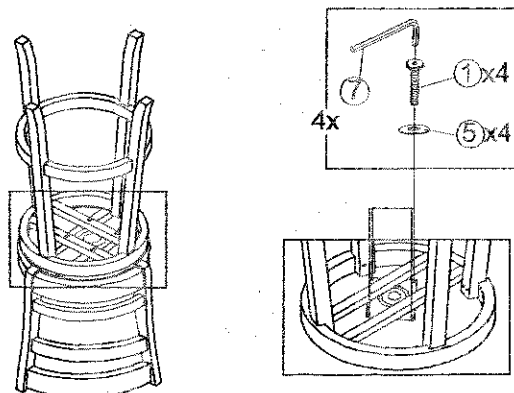
STEP:1



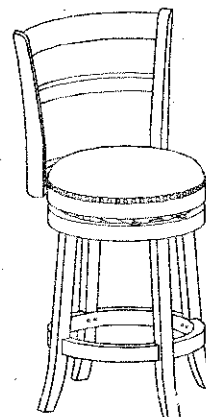
STEP:2



STEP:3



STEP:4



COMPLETED ASSEMBLY

NOTICE: Before assembly screws, have to make sure that legs were keep in a stable position, and then tightening screws, if not, the chairs will be wobble. Even though the stability test passed, but that need to adjust screws, and hold on legs are stable