



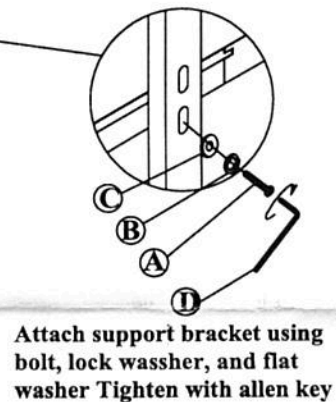
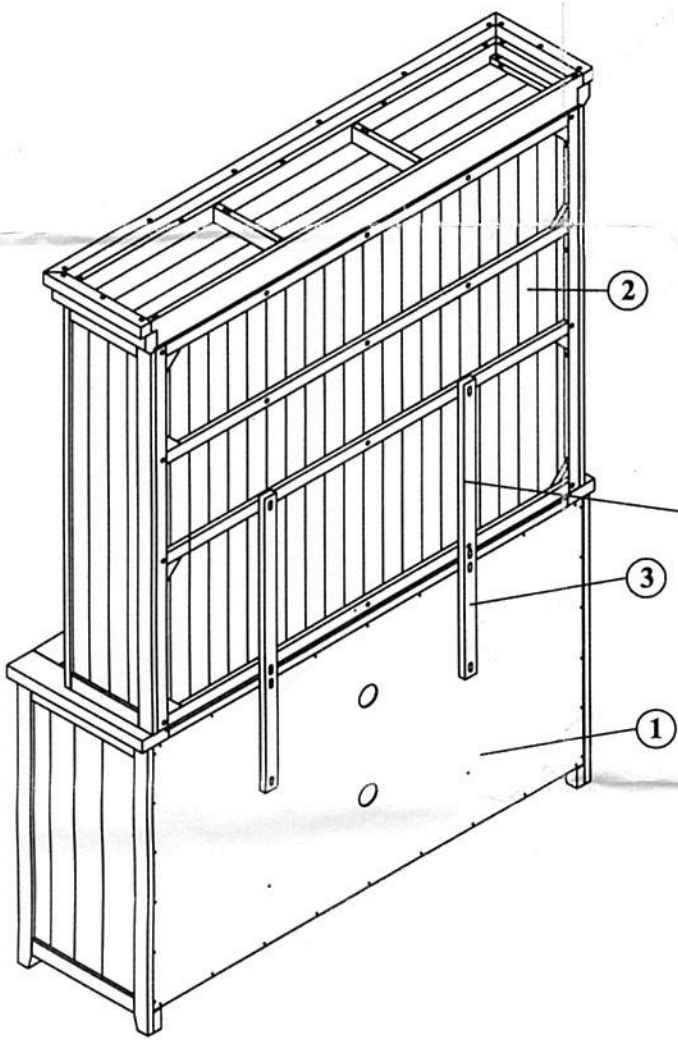
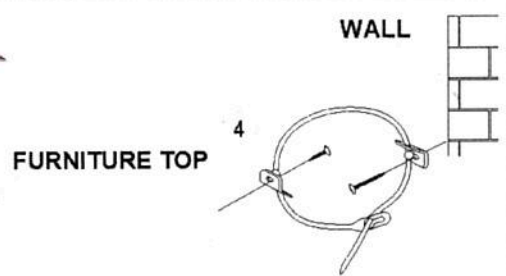
**ASSEMBLY INSTRUCTIONS &
PARTS IDENTIFICATION
JFRN 1707-61RTG SERVER HUTCH
SKU # 43817076**

Thank you for purchasing this quality product. Be sure to check all packing material carefully for small parts that may have come loose inside the carton during shipment.

| Parts key | | | |
|-----------|---------------|-------|-------------------|
| No | Code | Q'ty | Description |
| 1 | 1707-35RTG | 1 Pc | Barn door server |
| 2 | 1707-61RTG | 1 Pc | Server Hutch |
| 3 | 1707-61RTGP29 | 2 Pcs | Support Bracket |
| 4 | 1707P01AT | 1 Set | Anti tip hardware |

| Hardware Kit 1707-61RTGP01 | | |
|----------------------------|---------------------------------------|-------|
| No | Description | Q'ty |
| A | Long Bolt $\varnothing 6.3 \times 38$ | 8 pcs |
| B | Lock washer $\varnothing 6.5$ | 8 pcs |
| C | Flat washer $\varnothing 6.5$ | 8 pcs |
| D | Allen key | 1 pc |

PLEASE NOTE:
To avoid the possibility of the furniture tipping and injury, the Anti-tip hardware must be installed.



Attach support bracket using bolt, lock washer, and flat washer Tighten with allen key