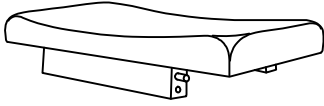


ASSEMBLY INSTRUCTION

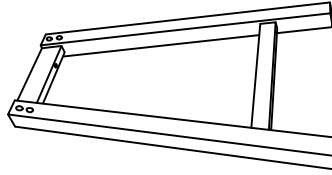
5302 SADDLEBACK STOOL

A Seat



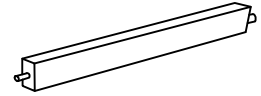
1pc

B Leg Frame



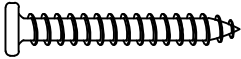
2pcs

C Stretcher



2pcs

D JCBC/W
M7 x 50mm



8pcs

E Allen Key
M4 x 110mm

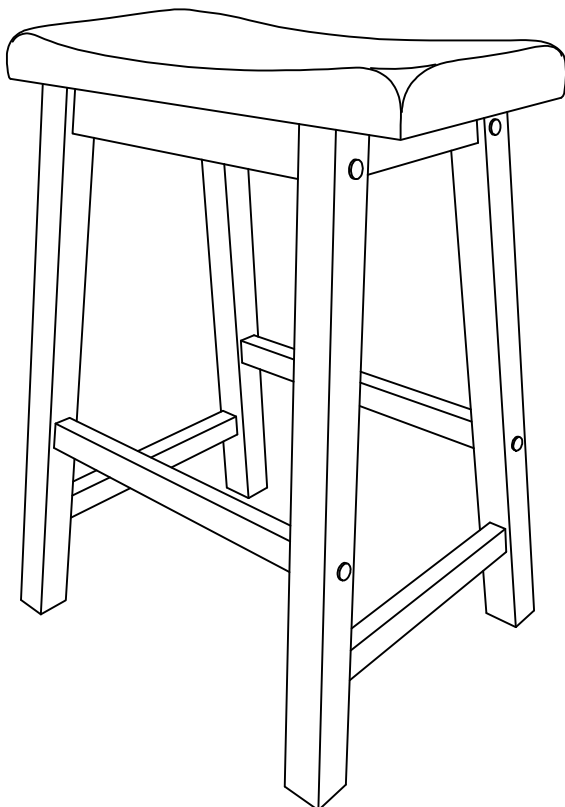


1pc

F Wooden Button

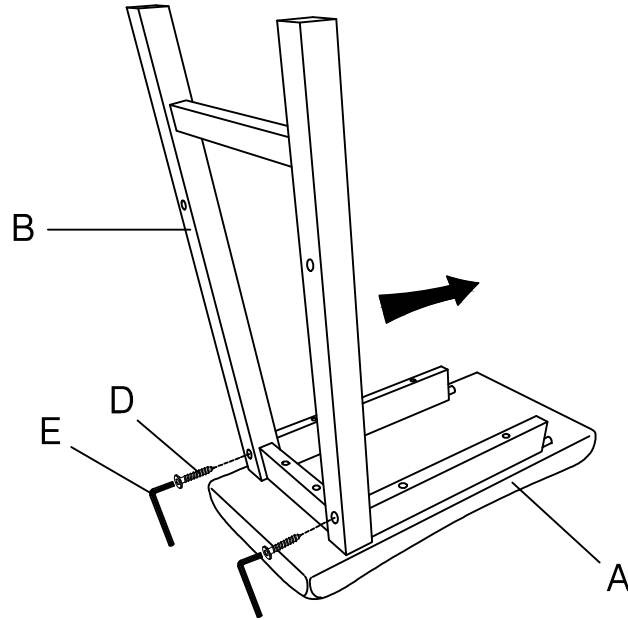


8pcs

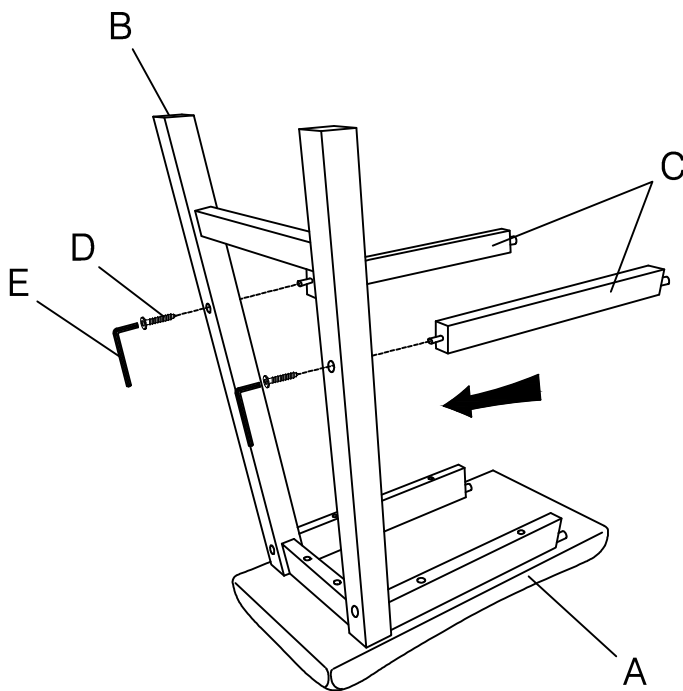


This page lists all the contents included in the box. Please take the time to identify the hardware as well as the individual components to this product. As you unpack and prepare for assembly, place the contents on a carpeted or padded area to protect them from damage.

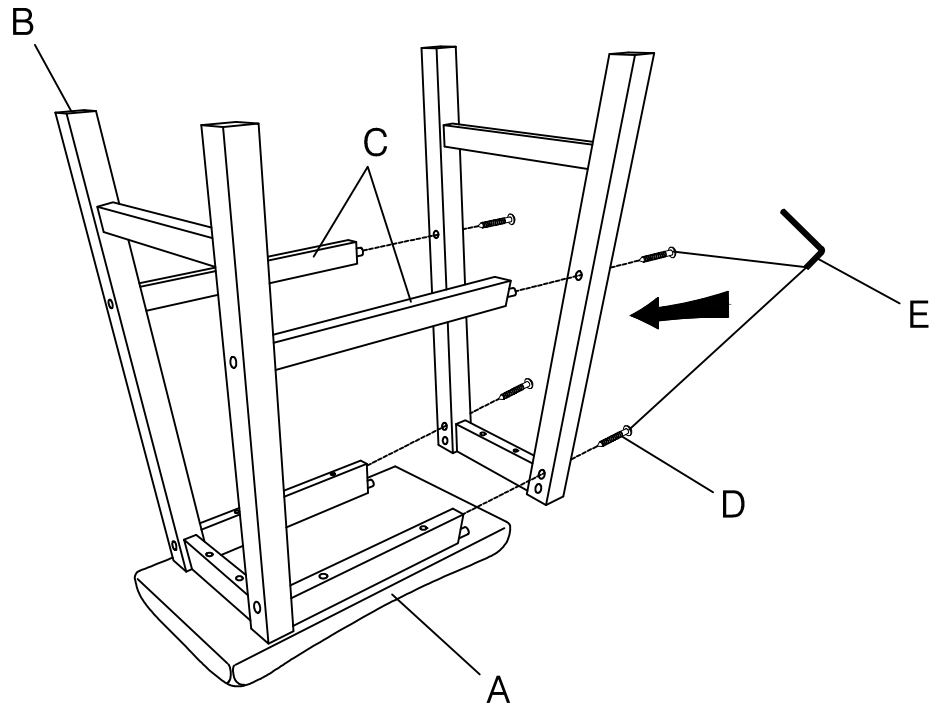
- 1** Place Seat (A) upside down smooth carpet surface. Line up legs of Leg Frame (B) with screw holes on bottom of Seat (A) and attach with JCBC/W (D) using Allen Key (E).



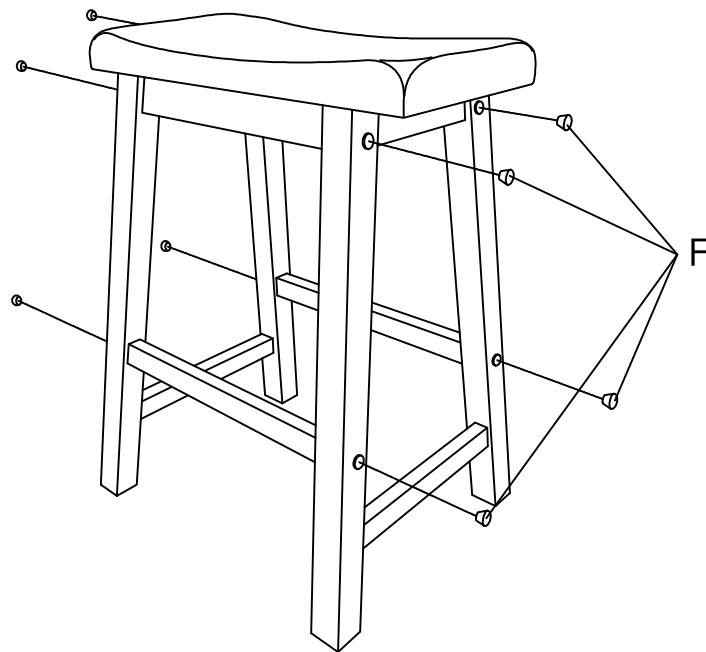
- 2** Insert Stretcher (C) into Leg Frame (B) and secure with JCBC/W (D) using Allen Key (E).



-
- 3** Line up of second Leg Frame (B) with screw holes on bottom of Seat (A) and attach with JCBC/W (D) using Allen Key (E). Do not tighten these screw all the way until you insert the Stretcher (C) when all holes are aligned. Tighten all remaining screw.



-
- 4** Insert Wood Button (F) into every hole in Leg Frame (B).



Cleaning & Care

Treat surface with care. Surface is resistant to scratches but is not scratch resistant. Clean surface with a dry or damp soft cloth. Do not use abrasive cleaners. Hardware may loosen over time. Periodically check that all connections are tight.