

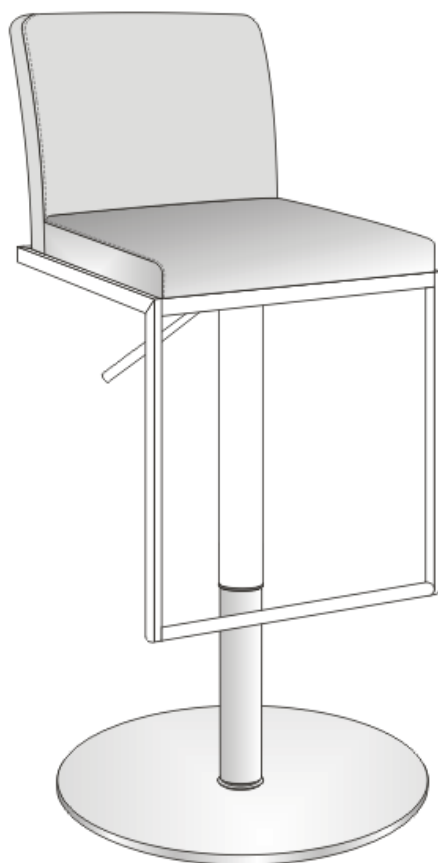
Amalfi Stainless steel barstool

TOV-K3615 / TOV-K3616 / TOV-K3617 / TOV-K3654

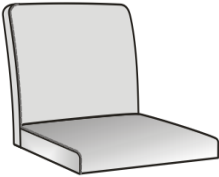


TOV-K3682

Amalfi



ASSEMBLY INSTRUCTIONS







Parts List

Label	Picture	Description	QTY
A		Seat	1
B		Footrest	1
C		Metal Base	1

Hardware

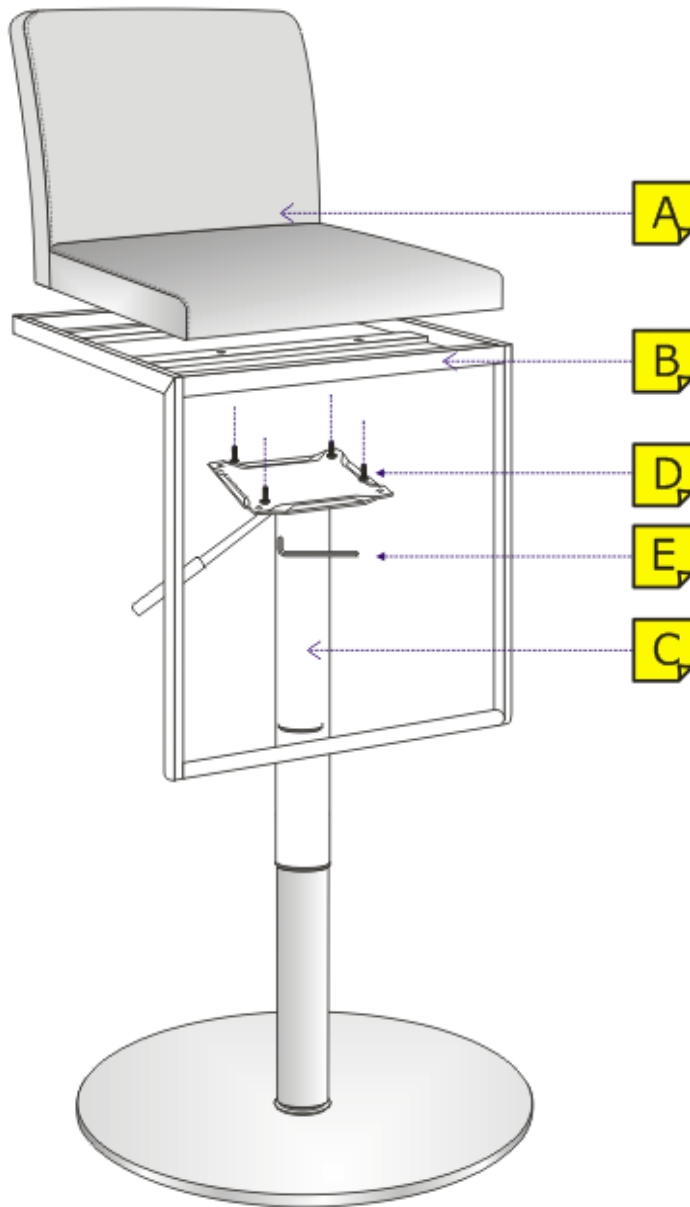
Label	Picture	Description	QTY
D		Screw 6x30 MM	4
E		Spanner (M5)	1

BEFORE BEGINNING ASSEMBLY:

-  *Read instructions cover to cover*
-  *Have two adults on hand for assembly*
-  *Do NOT assemble on flooring or carpet. Assemble on a clean non-marring surface (ex: packing foam)*
-  *Save all packaging until assembly is completed*

Assembly Steps

Step 1



In order to activate the gas hydraulic, it is important that once you have assembled the stool that you raise the lever and bounce your weight up and down on the stool and then lift your weight off with the lever still raised and the stool should begin to

CARE & MAINTENANCE



Do not put hot items directly on furniture surface.



Do not clean furniture with harsh cleansers or polish.



Dust and pick up spills using a clean, non-colored, lint-free cloth.



Stains may be removed with mild soap solution and a damp cloth.



Do not place furniture under direct sunlight.



Do not place furniture near heating or cooling vents.



Do not write on furniture without a padded barrier to protect the surface.



Do not place furniture outside, for indoor use only.