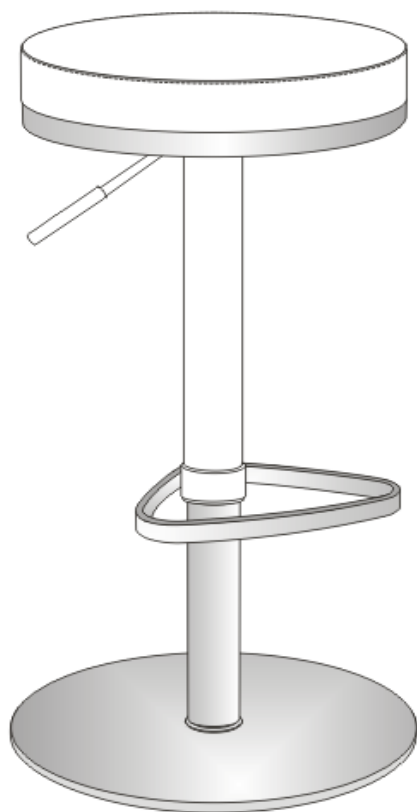


Fano Barstool






TOV-K3613 / TOV-K3614 / TOV-K3653

Fano




ASSEMBLY INSTRUCTIONS



Parts List

Label	Picture	Description	QTY
A		Seat Pad	1
B		Footrest	1
C		Gaslift	1
D		Spacer	1
E		Base	1

Hardware

Label	Picture	Description	QTY
F		Screw 6x16MM	4
G		Screw 6x35MM	3
H		Spanner(M5)	1

BEFORE BEGINNING ASSEMBLY:



Read instructions cover to cover



Have two adults on hand for assembly



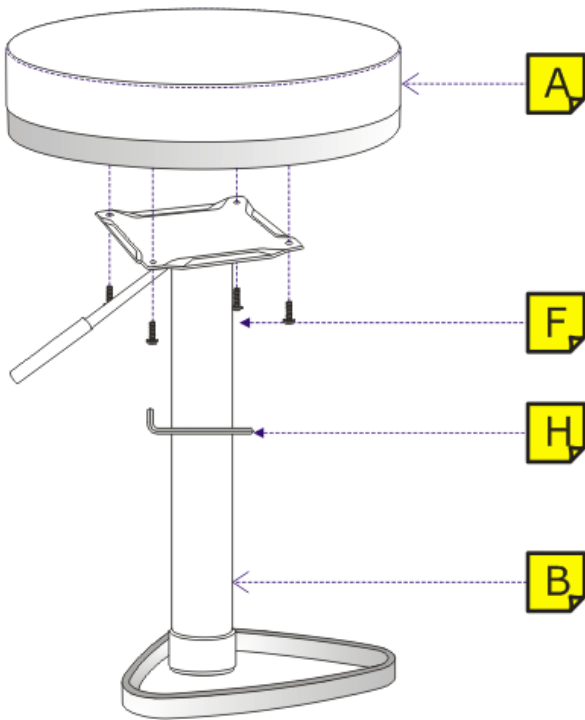
Do NOT assemble on flooring or carpet. Assemble on a clean non-marring surface (ex: packing foam)



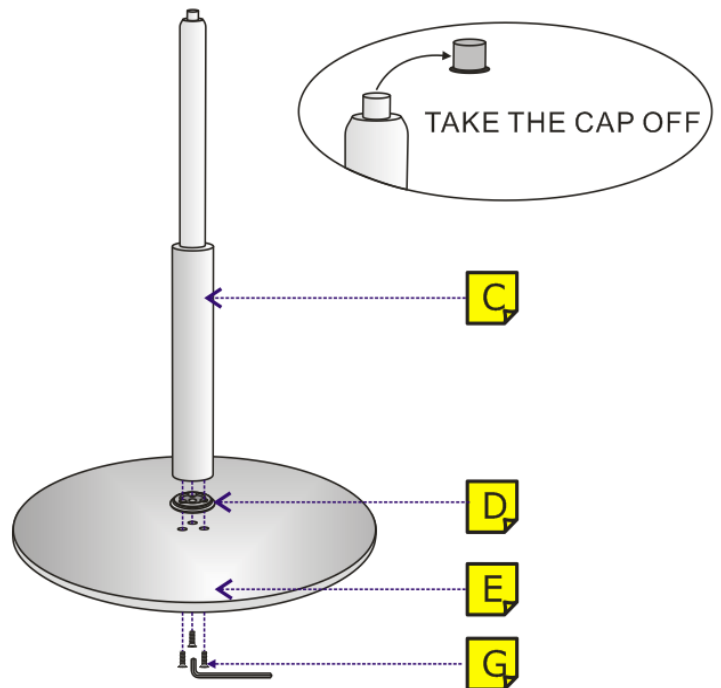
Save all packaging until assembly is completed

Assembly Steps

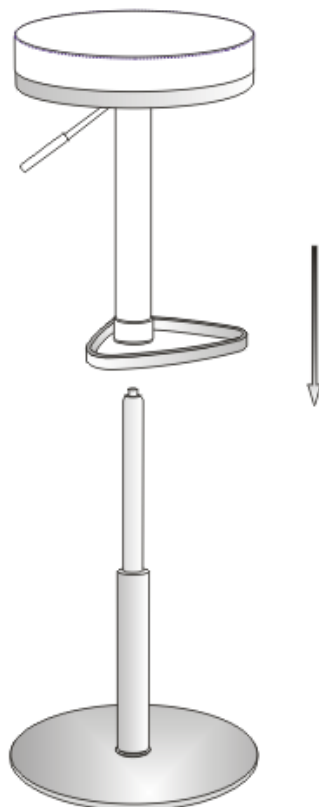
Step 1



Step 2



Step 3



In order to activate the gas hydraulic, it is important that once you have assembled the stool that you raise the lever and bounce your weight up and down on the stool and then lift your weight off with the lever still raised and the stool should begin to

CARE & MAINTENANCE



Do not put hot items directly on furniture surface.



Do not clean furniture with harsh cleansers or polish.



Dust and pick up spills using a clean, non-colored, lint-free cloth.



Stains may be removed with mild soap solution and a damp cloth.



Do not place furniture under direct sunlight.



Do not place furniture near heating or cooling vents.



Do not write on furniture without a padded barrier to protect the surface.



Do not place furniture outside, for indoor use only.