







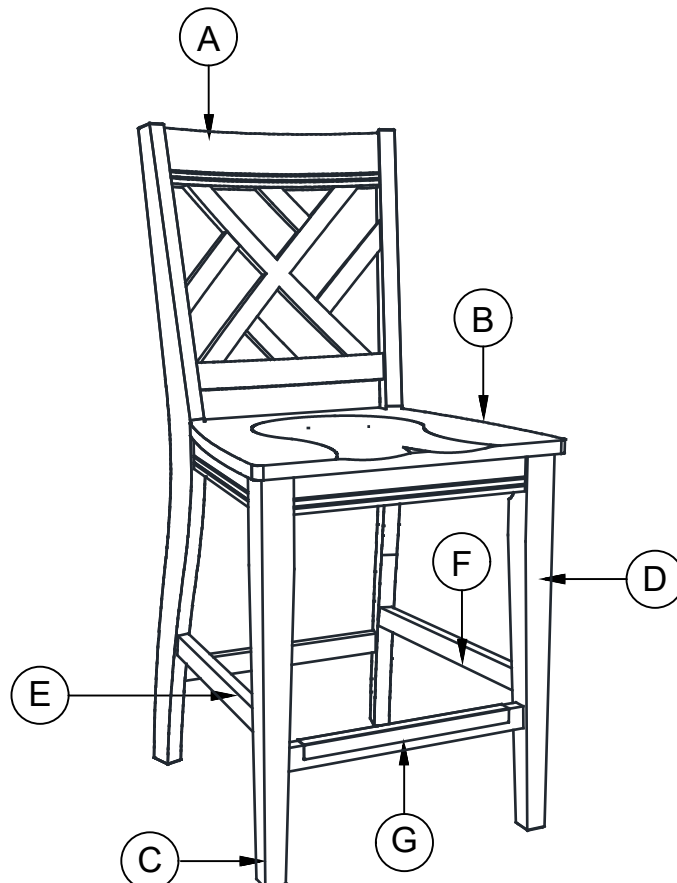
ASSEMBLY INSTRUCTIONS

ITCO 4265-BS BARSTOOL SKU# 43742659

Manufactured for Rooms To Go.

Thank you for purchasing this quality product. Be sure to check all packing material for small parts which may have come loose inside carton during shipment. Identify and count all parts and compare with the hardware list as below:

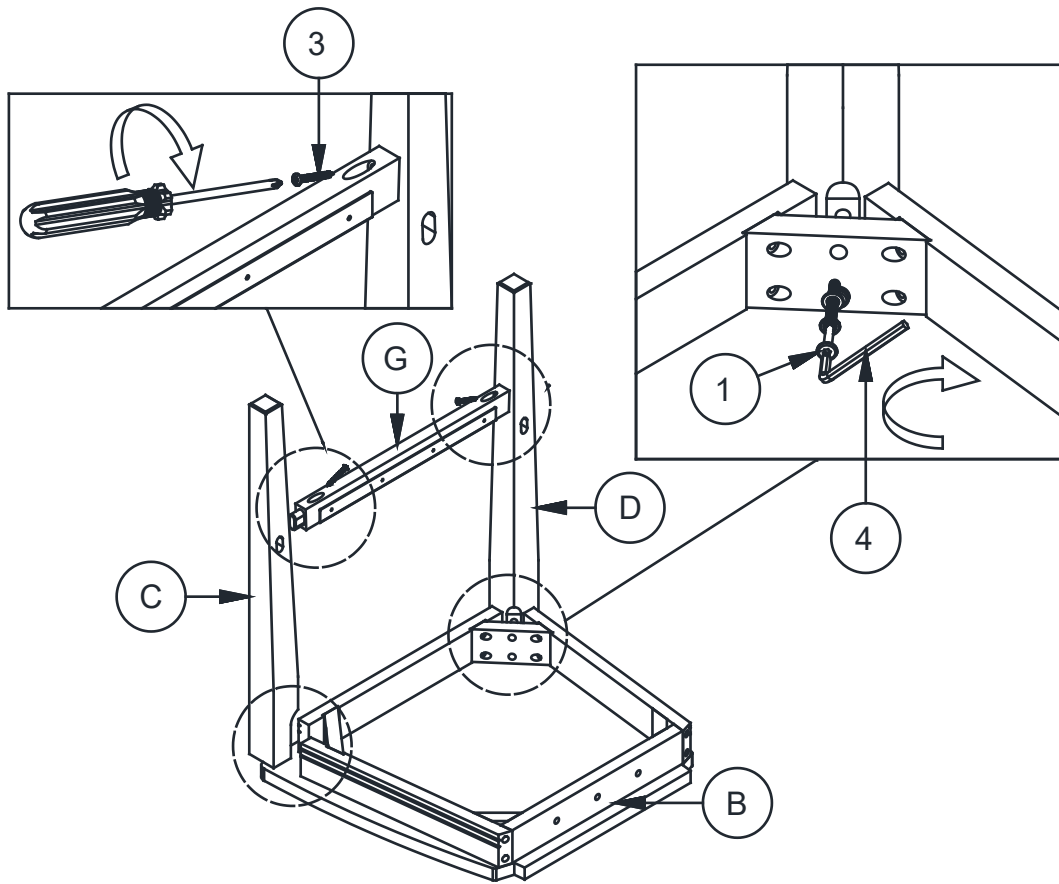
	No.	Picture	Description	Dimension	Qty
Hardware List	①		JCBC (M6) with washer	6 x P1.0 x 70mm	8 Pcs
	②		JCBC (M6) with washer	6 x P1.0 x 35mm	3 Pcs
	③		Wood Screw	M4 x 38mm	6 Pcs
	④		Allen Key	M4	1 Pc
	No.	Description		Qty	
Parts List	A	Chair Back		1 Pc	
	B	Seat With Frame		1 Pc	
	C	Front Leg- Left		1 Pc	
	D	Front Leg- Right		1 Pc	
	E	Side Stretcher- Left		1 Pc	
	F	Side Stretcher- Right		1 Pc	
	G	Front Stretcher		1 Pc	



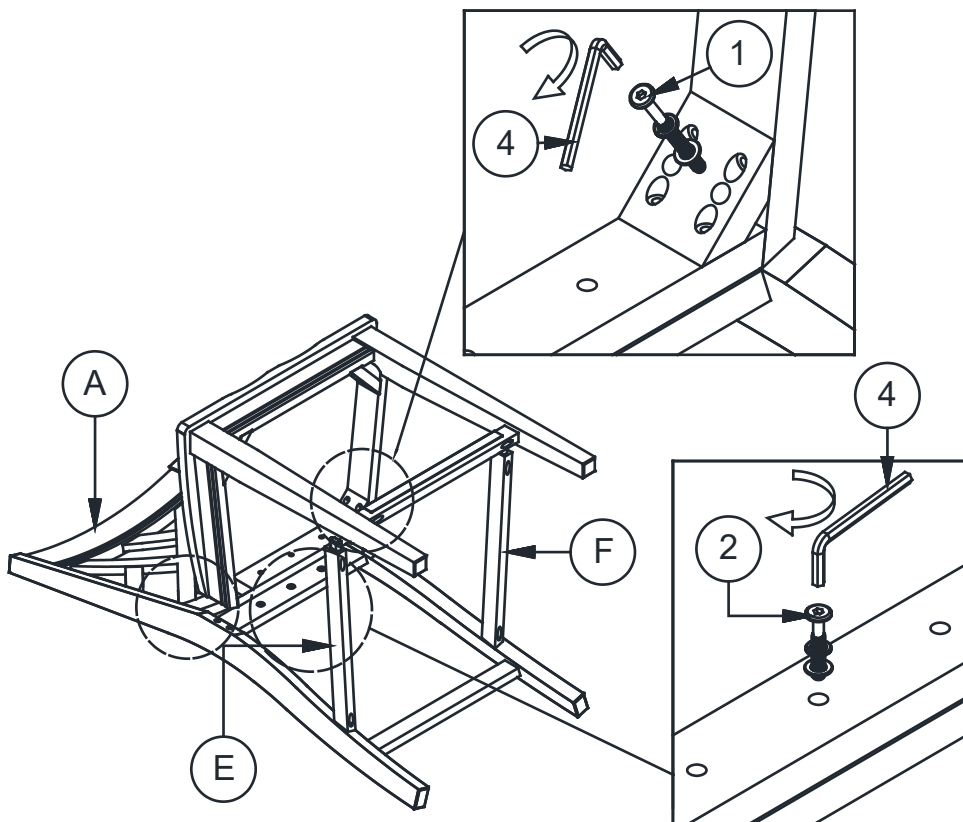
PARTS DETAIL

Assembly steps

STEP 1



STEP 2

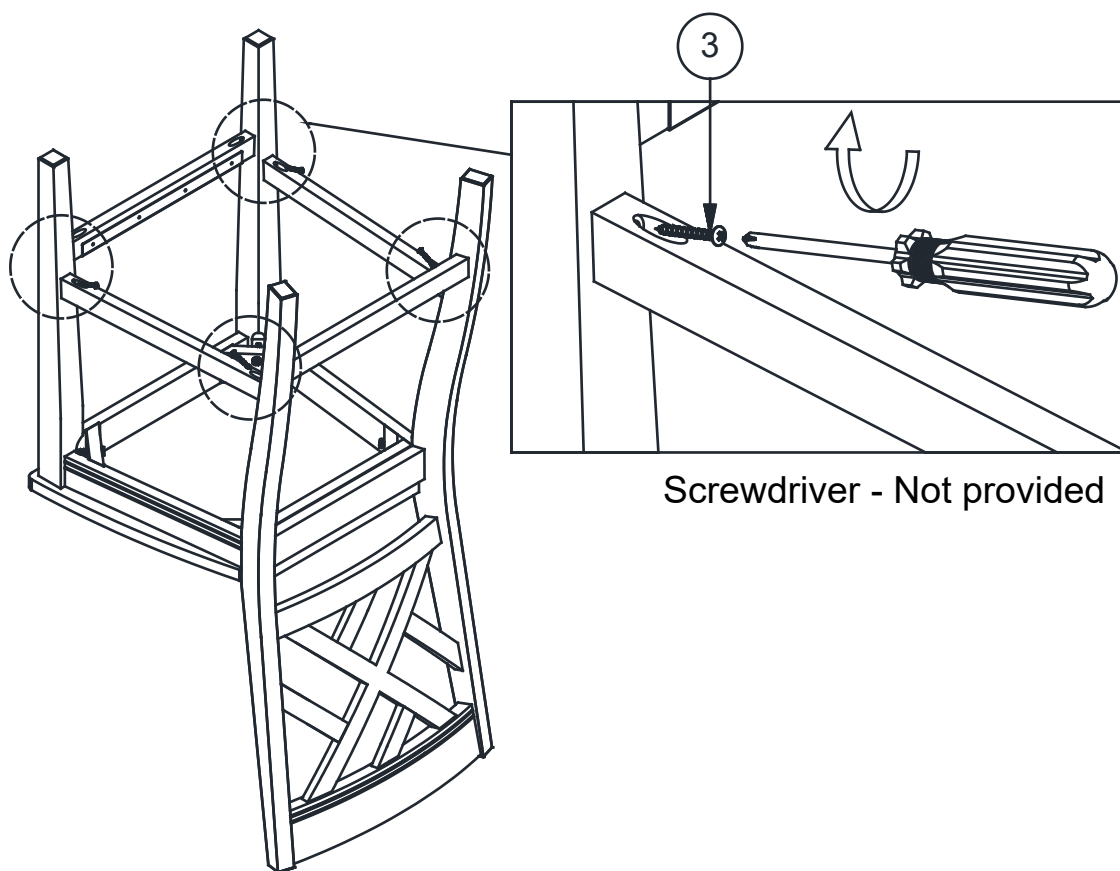


NOTE :

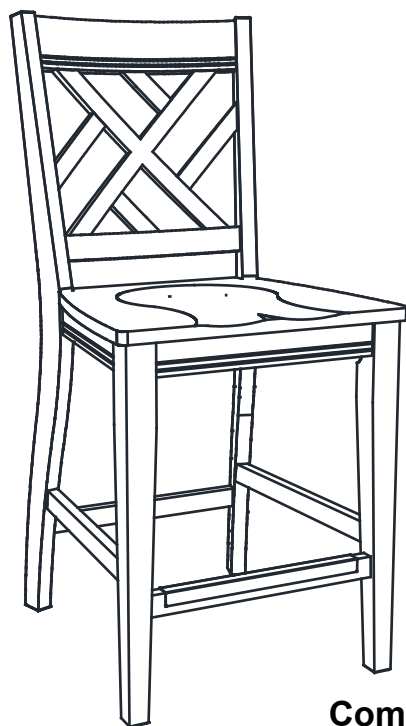
Make sure this product assemble on the flat and soft surface. Follow the instructions. Tighten all the nuts, bolts or screws firmly and make sure this product does not wobble before use.

Assembly steps

STEP 3



STEP 4



Complete Assemble

NOTE :

Make sure this product assemble on the flat and soft surface. Follow the instructions. Tighten all the nuts, bolts or screws firmly and make sure this product does not wobble before use.