

# ASSEMBLY INSTRUCTIONS

**HILB**

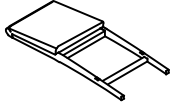
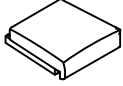
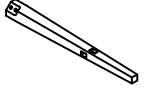

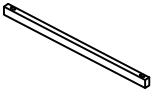
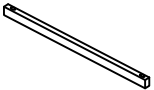
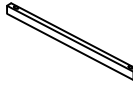
5451-14

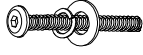
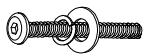

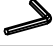
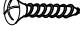
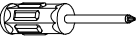
COUNTER HEIGHT STOOL - SKU : 43454519

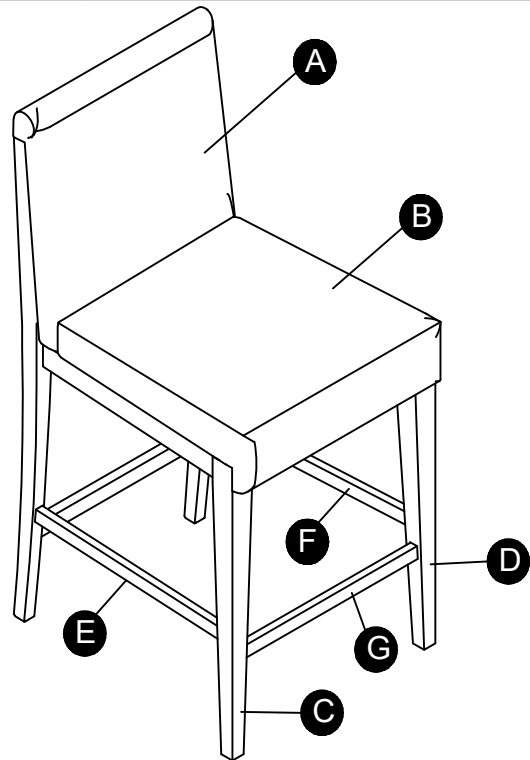
5451-15B

COUNTER HEIGHT STOOL - SKU : 43756519

Thank you for purchasing this quality product. Be sure to check all packing materials carefully for small parts which may have come loose inside the carton during shipment. Identify and count all parts and compare with the parts list below.

COMPONENT LIST			
NO.	Description	Sketch	Q'TY
A	Back Rest		1pc
B	Seat Cushion		1pc
C	Front Leg - L		1pc
D	Front Leg - R		1pc
E	Stretcher - L		1pc
F	Stretcher - R		1pc
G	Wood rest		1pc

HARDWARE LIST				
NO.	Picture	Description	Dimension	Q'TY
1		Flat Washer	5/16"*19*2mm	4 pcs
		Spring Washer	5/16"*12*2mm	4 pcs
		Bolt	5/16"*18*85mm	4 pcs
2		Flat Washer	5/16"*19*2mm	4 pcs
		Spring Washer	5/16"*12*2mm	4 pcs
		Bolt	5/16"*18*57mm	4 pcs
3		Flat Washer	1/4"*19*2mm	2 pcs
		Spring Washer	1/4"*12*2mm	2 pcs
		Bolt	1/4"*18*38mm	2 pcs
4		Allen Key	4mm	1 pc
5		Screw	Ø4 x 45mm	6 pcs
6		Tool Required(not provided)		



Hardware pack locations

5451-14

COUNTER HEIGHT STOOL - SKU : 43454514

5451-15B

COUNTER HEIGHT STOOL - SKU : 43454507

**PARTS DETAILS**

This product is manufactured by HILB for **ROOMS TO GO** 

# ASSEMBLY INSTRUCTIONS

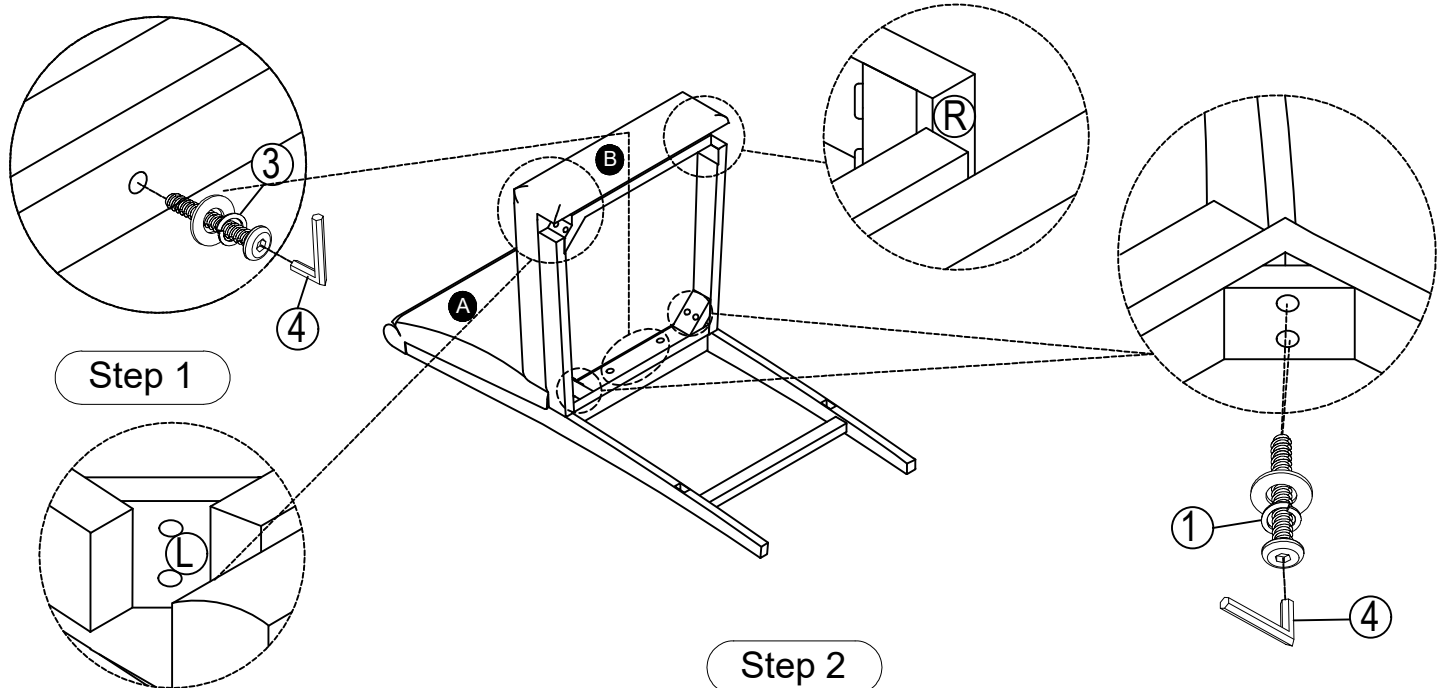
**HILB**

**5451-14 COUNTER HEIGHT STOOL - SKU : 43454519**

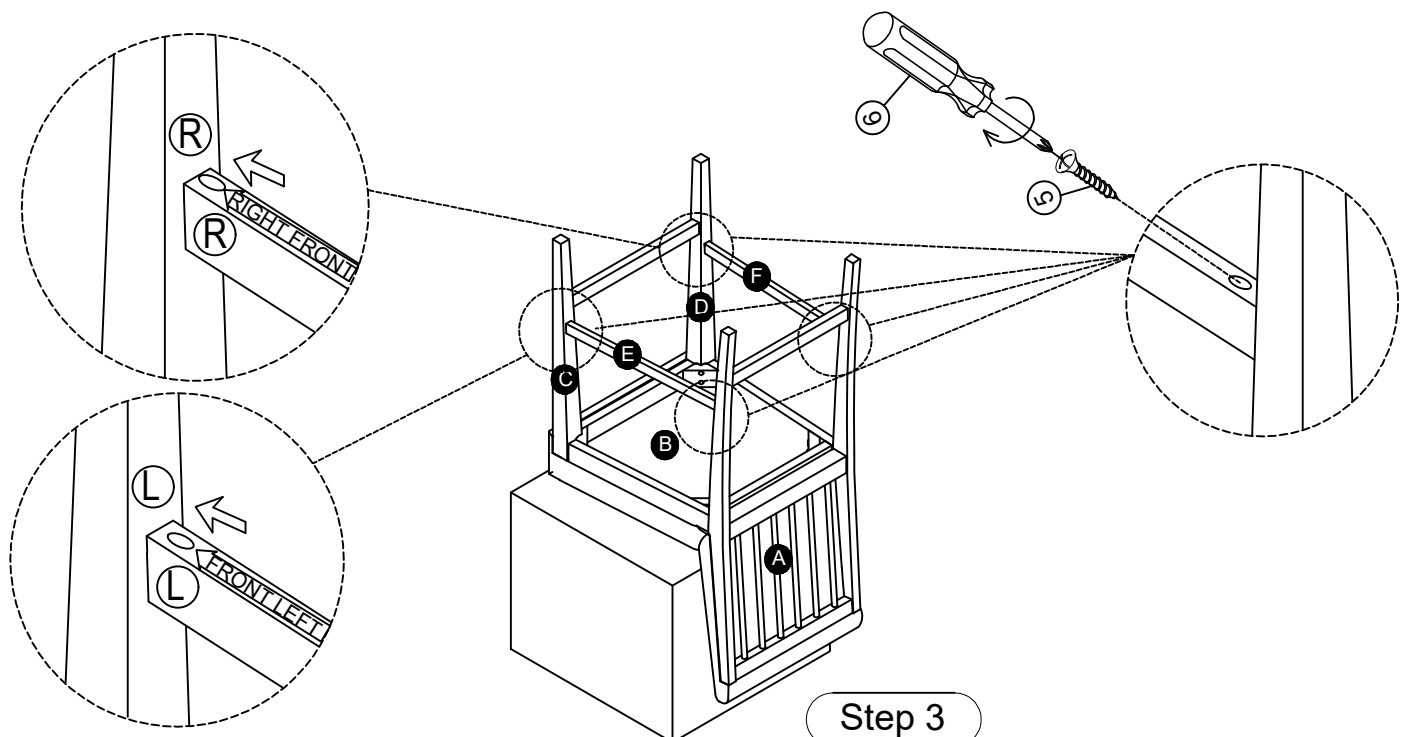
**5451-15B COUNTER HEIGHT STOOL - SKU : 43756519**

**STEP 1:** Attach the Seat Cushion (B) to Back Rest (A), secure with Flat Washers, Spring Washers and Bolts (3) by using Allen Key (4). Do not tighten all the bolts until the assembly is completed

**STEP 2:** Attach the Seat Cushion (B) to Back Rest (A), secure with Flat Washers, Spring Washers and Bolts (1) by using Allen Key (4). Do not tighten all the bolts until the assembly is completed



**STEP 3:** Attach Stretcher-L(E) to Front Legs-L(C), then attach Front Legs-L(C) to Seat Cushion(B); meanwhile attach Stretcher-R(F) to Front Legs-R(D), then attach Front Legs-R(D) to Seat Cushion(B). Attach Wood rest G to Front Legs-R(D) and Front Legs-L(C), Tighten the Screws(5) in these 6 positions, by using Philips Head Screw Driver(6)(not provided).



This product is manufactured by HILB for **ROOMS TO GO** 

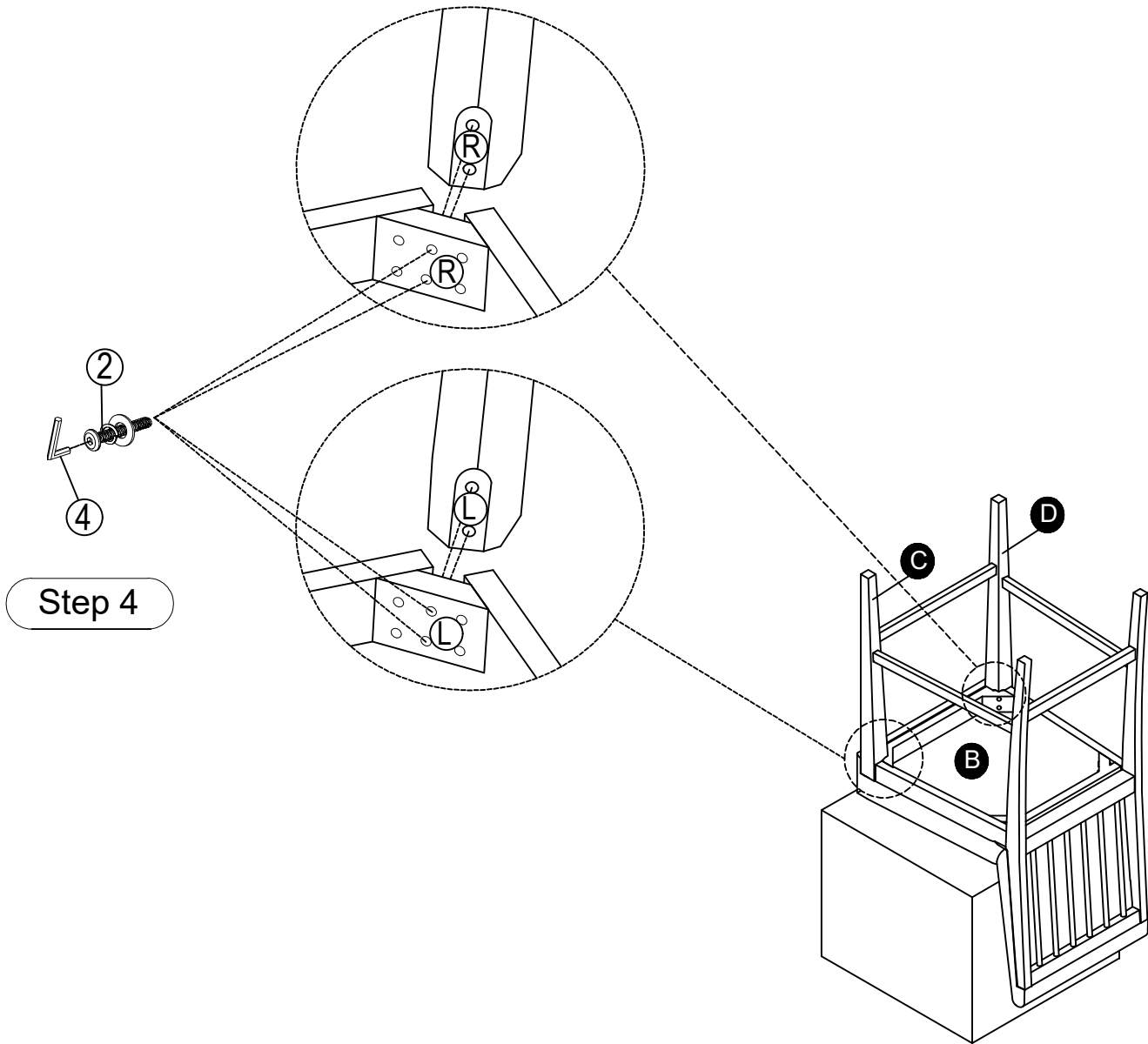
# ASSEMBLY INSTRUCTIONS

**HILB**

5451-14 COUNTER HEIGHT STOOL - SKU : 43454519

5451-15B COUNTER HEIGHT STOOL - SKU : 43756519

**STEP 4:** Attach Pre-assembled **Front Legs-L(C)** and **Front Legs-R(D)** to **Seat Cushion(B)**, secure with Flat Washers, Spring Washers and Bolts(2) by using Allen Key(4).



Step 4

This product is manufactured by HILB for **ROOMS TO GO** 