

# ASSEMBLY INSTRUCTIONS

MODEL: TA-68924-LC-CTR-GG TA-68929-LC-GG

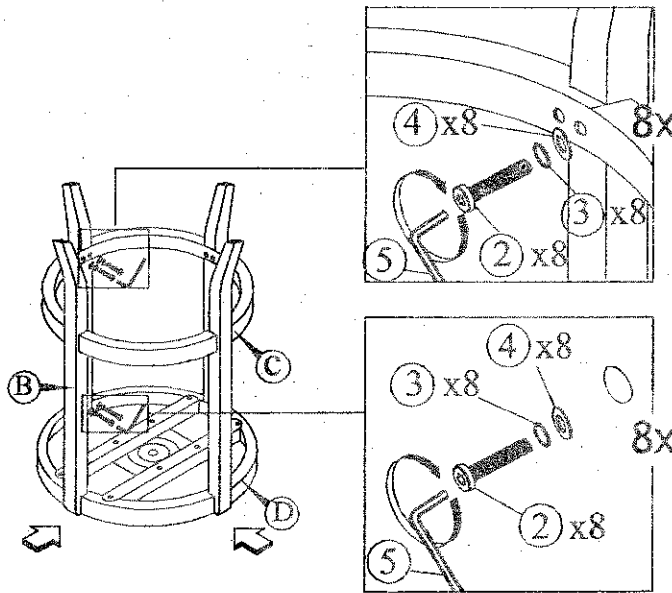
Please read this instruction carefully. Refer to hardware and furniture parts list for guidance. Be sure all parts are complete before assembling. Place all wooden furniture part on a clean and flat soft surface to prevent scratches. Do not tighten all screws until the stool is fully set up.

PART LIST		
ITEM	DESCRIPTION	QTY
A	Cushion seat	1pc
B	Chair Leg	4pcs
C	Footrest	1pc
D	Apron with swivel plate	1pc

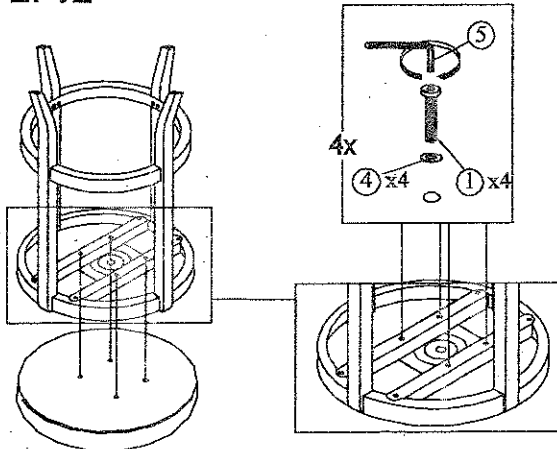
HARDWARE LIST			
ITEM	DESCRIPTION		QTY
1	JCBC Screw M6x15mm		4pcs
2	JCBC Screw M6x35mm		16pcs
3	Spring Washer M6x10mm		16pcs
4	Flat Washer M6x16mm		20pcs
5	Allen Key Small M4		1pc



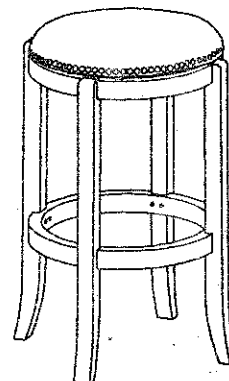
## STEP:1



## STEP:2



## STEP:3



COMPLETED ASSEMBLY

NOTICE: Before assembly screws, have to make sure that legs were keep in a stable position, and then tightening screws, if not, the chairs will be wobble. Even though the stability test passed, but that need to adjust screws, and hold on legs are stable