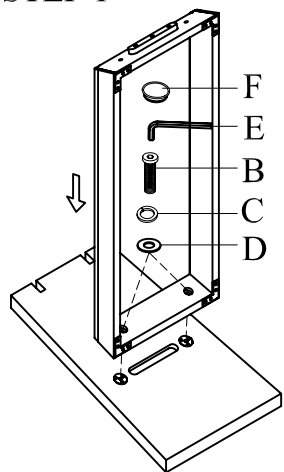


MODEL:1302-10C

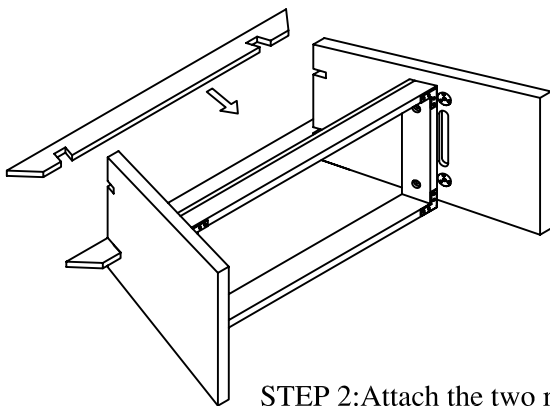
Assembly Instructions

STEP 1



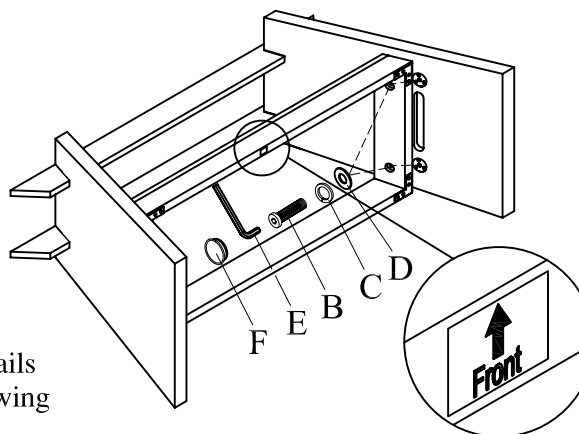
STEP 1: Attach the base frame to one side leg by using bolts(B)&washers(C&D)& Allen wrench(E). Then Cover the plastic Cap(F) on the bolt(B).

STEP 2



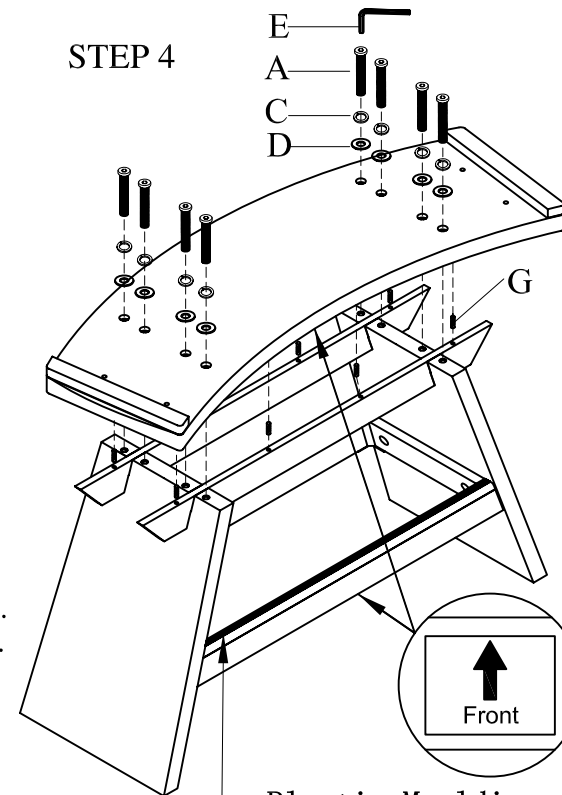
STEP 2: Attach the two rails to the side leg as the drawing shown.

STEP 3



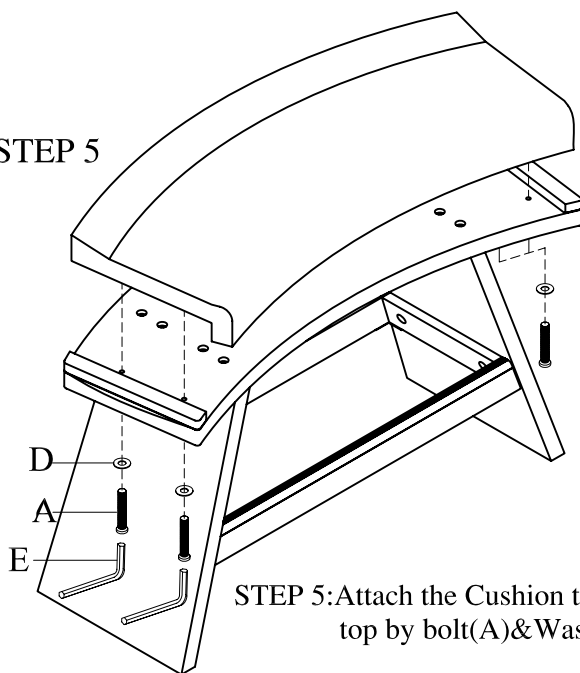
STEP 3: Attach another leg by using bolts(B)&washers(C&D)&Allen wrench(E). Then Cover the plastic Cap(F) on the bolt(B).

STEP 4



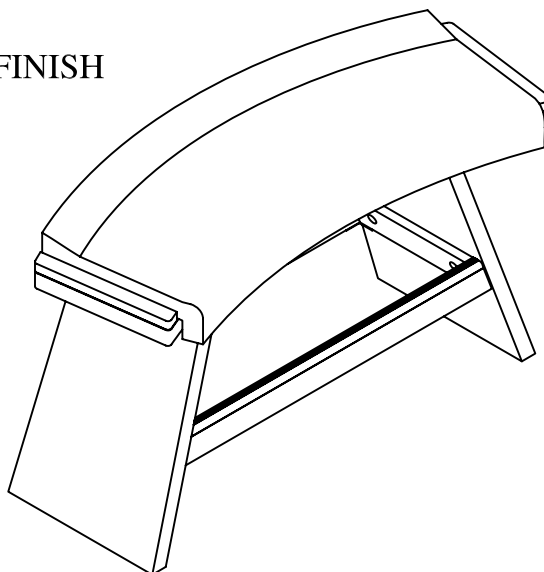
STEP 4: Attach the top to the side legs by bolt(A)&Washers(C&D).

STEP 5



STEP 5: Attach the Cushion to the top by bolt(A)&Washers(C&D).

FINISH



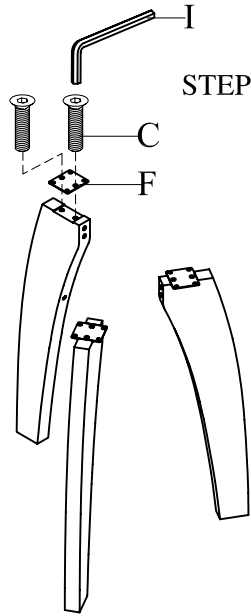
HARDWARE LIST

NO.	Drawing	Part Size	Q'ty
A		Ø5/16"*2"L Bolt	12pcs
B		Ø5/16"*1-1/2"L Bolt	4pcs
C		Ø5/16" Spring Washer	12pcs
D		Ø5/16"*Ø3/4" Flat Washer	16pcs
E		4mm Allen wrench	1pc
F		Ø25*9mm Plastic Cap	4pcs
G		Ø8*30mmL Wood Dowel	8pcs

MODEL:1302-7A

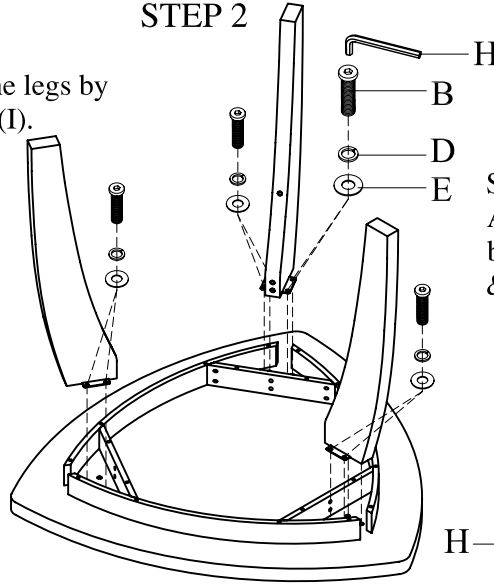
Assembly Instructions

STEP 1



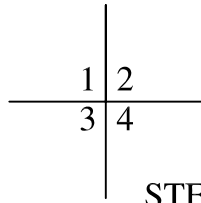
STEP 1: Attach the plate(F) to the legs by bolts(C)&Allen wrench(I).

STEP 2

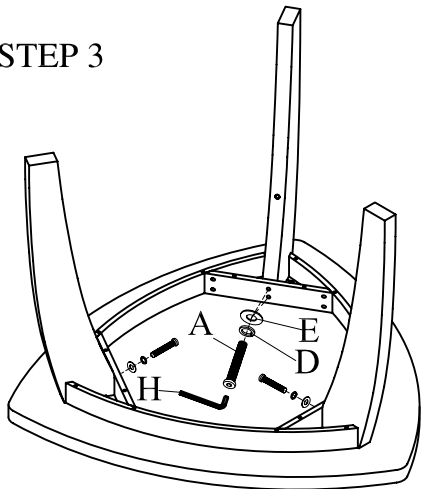


STEP 2:
Attach the legs to the top by bolts(B)&washers(D,E) & Allen wrench(H).

FINISH

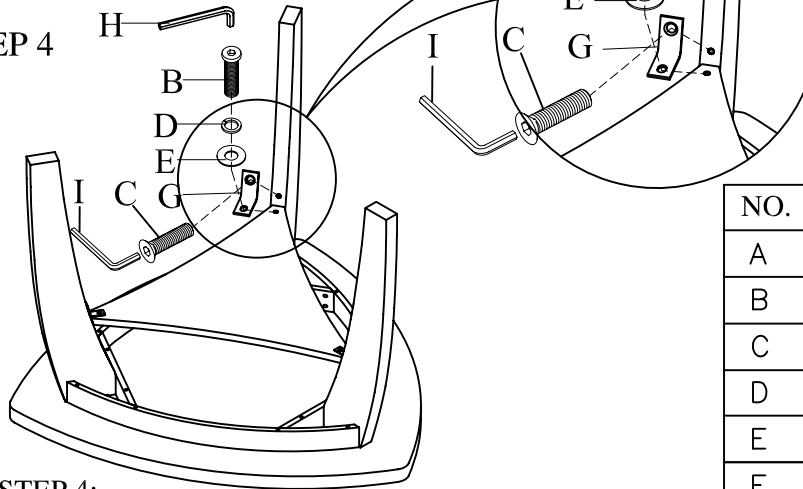


STEP 3



STEP 3:
Attach the apron block to the leg by bolts(A)&washers(D,E) & Allen wrench(H).

STEP 4



STEP 4:
a. Screw the "L" metal plate(G) to the shelf by bolts(B)& washers(D,E)&Allen wrench(H).
b. Screw the "L" metal plate(G) to the legs by bolts(C)& Allen wrench(I).

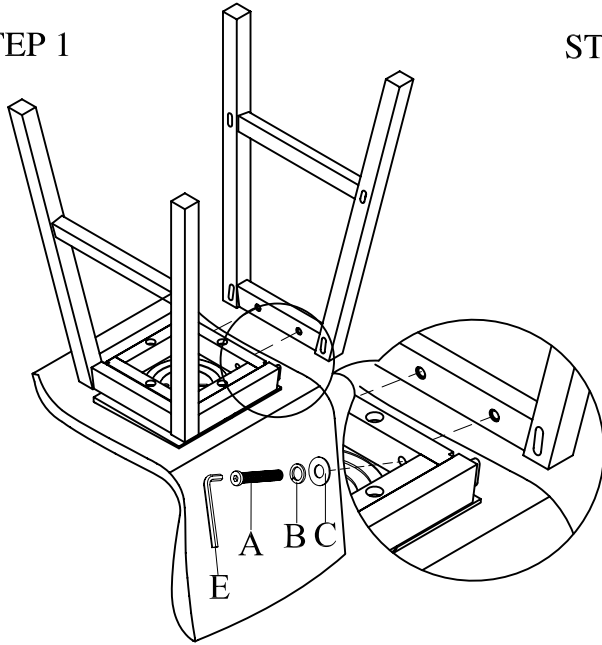
HARDWARE LIST

NO.	Drawing	Part Size	Q'ty
A		Ø5/16"*1-3/4"L Bolt	6pcs
B		Ø5/16"*3/4" L Bolt	15pcs
C		Ø5/16"*1"L Bolt	9pcs
D		Ø5/16" Spring Washer	21pcs
E		Ø5/16"*19mm Flat Washer	21pcs
F		4"*3-1/2"*3mm Metal Plate	3pcs
G		2-1/2"*1-3/4"*3mm "L" Metal Plate	3pcs
H		4mm Allen wrench	1pc
I		5mm Allen wrench	1pc

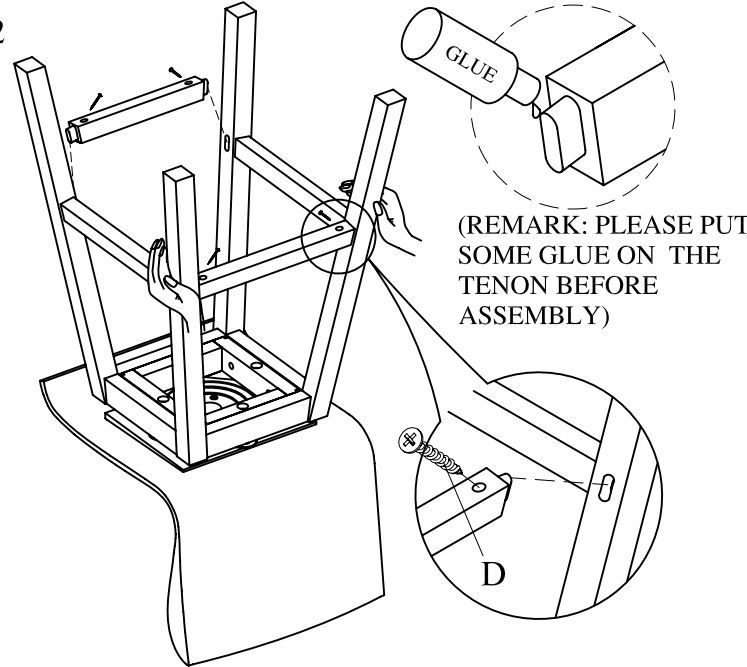
MODEL:1302-9C

Assembly Instructions

STEP 1

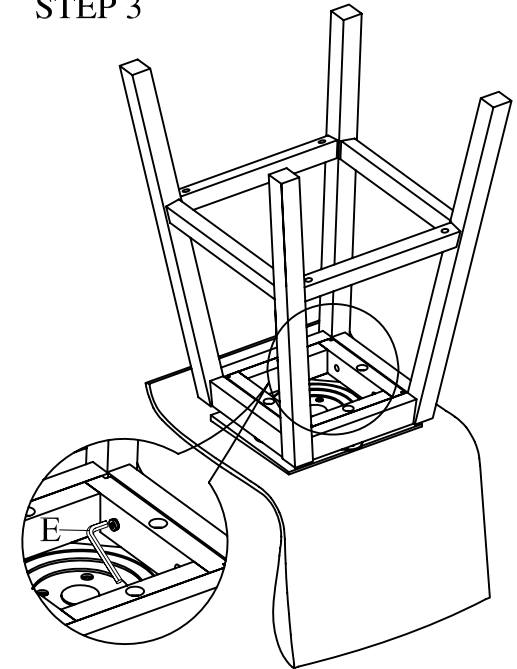


STEP 2



(REMARK: PLEASE PUT SOME GLUE ON THE TENON BEFORE ASSEMBLY)

STEP 3



STEP 1: Assemble the left and right legs with Allen Key.

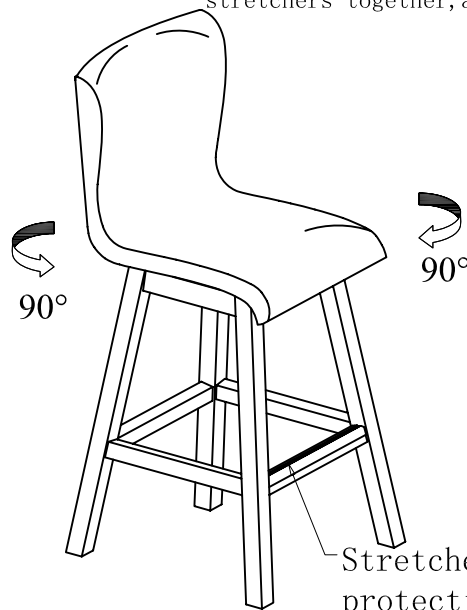
Remark: In order to assemble the stretcher later, don't screw the bolts tightly.

STEP 2: Assemble stretcher with tenon into the legs.

One person applies pressure to hold left/right legs and stretchers together, and the other one screws up the stretcher.

STEP 3: Tighten up those loose bolts in Step 1.

FINISH



HARDWARE LIST

NO.	Drawing	Part Size	Q'ty
A		Ø5/16"*51mmL Bolt	4pcs
B		Ø5/16" Spring Washer	4pcs
C		Ø5/16"*19mL Flat Washer	4pcs
D		#8*45mmL Screw	4pcs
E		4mm Allen wrench	1pc
F		GLUE	1pc

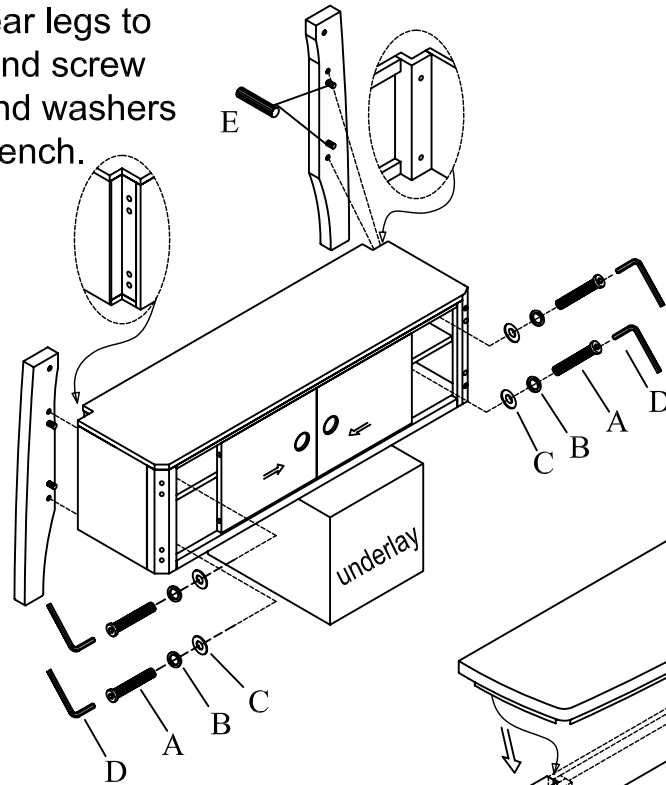
ASSEMBLY INSTRUCTIONS

MODEL:1302-1

Thank you for purchasing this quality product. Be sure to check all packing materials carefully for small parts that may have come loose inside the carton during shipment. ***Caution: Please read all instructions carefully before starting the assembly process.

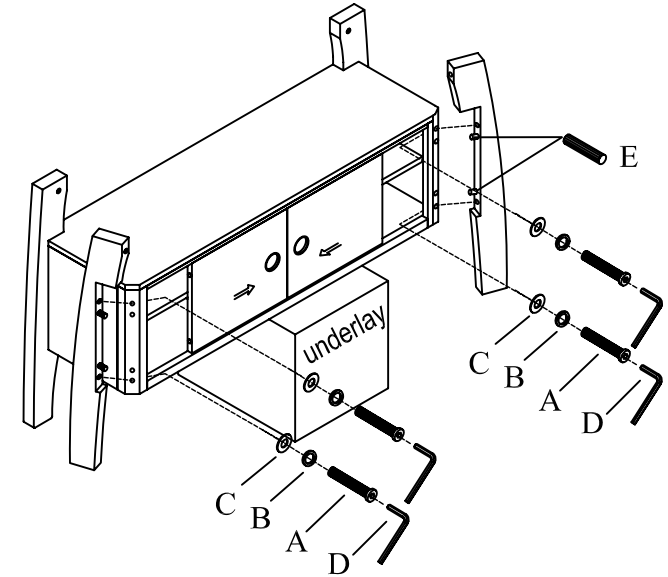
STEP 1

To attach rear legs to the server and screw with bolts and washers by Allen wrench.



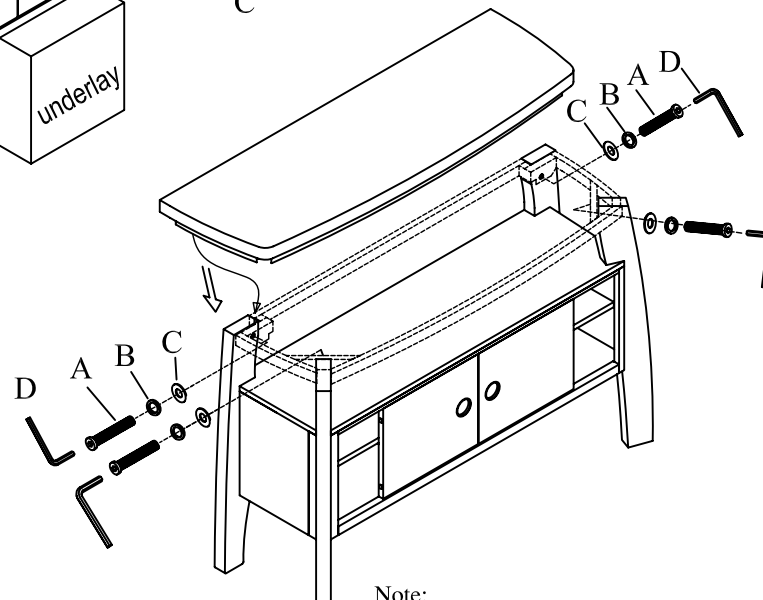
STEP 2

To attach front legs to the server and screw with bolts and washers by Allen wrench.



STEP 3

To put wooden top onto the server and screw with bolts and washers by Allen wrench.



Note:

- Keep all hardware parts out of children's reach.
- Keep these instructions for future reference.

FINISH



HARDWARE LIST

NO.	Drawing	Part Size	Q'ty
A		Ø5/16"*1-1/2"L Bolt	12pcs
B		Ø5/16" Spring Washer	12pcs
C		Ø5/16"*Ø3/4" Flat Washer	12pcs
D		4mm Allen wrench	1pc
E		Ø10*30mmL Wood Dowel	8pcs