




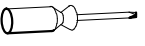
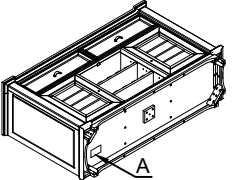



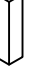
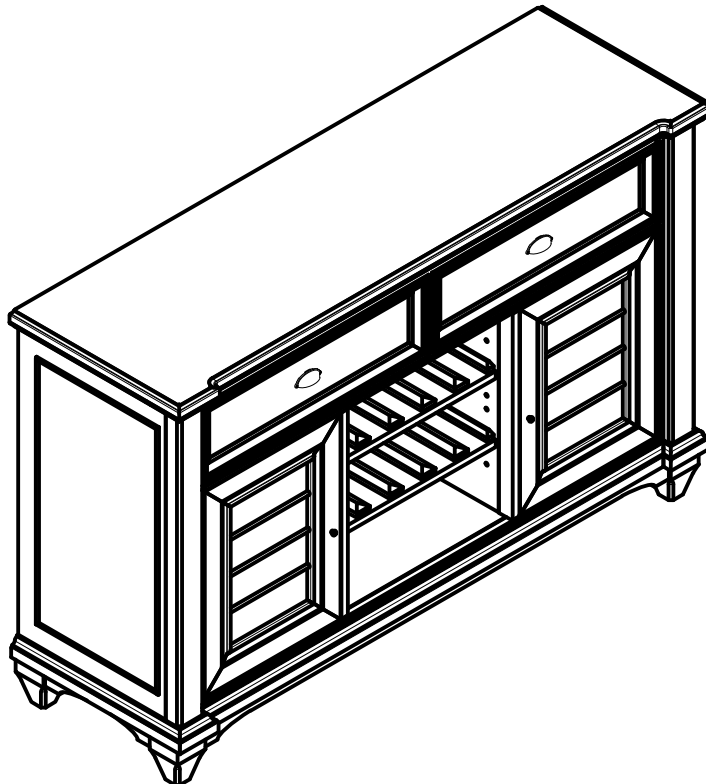


HOUS 6592-5618 BUFFET
6596-5618 BUFFET

SKU# 43865926
SKU# 43865964

STEP	CODE	HARDWARE LIST		QTY'
1	A		Allen bolt Ø1/4"x20x2-1/8"	8
			Lock washer Ø1/4"x12x2mm	
			Flat washer Ø1/4"x19x2mm	
	B		Allen key 4mm	1
	C		Furniture tipping restraint	1
<p>ADDITIONAL TOOLS REQUIRED: PHILLIPS HEAD SCREWDRIVER </p>				

CODE	STEP	PART LIST		QTY'
A	1	BUFFET		1
	2	FRONT LEG (RIGHT)		1
	3	FRONT LEG (LEFT)		1
	4	BACK LEG		2
	5	CENTER LEG		1



Hardware pack/leg location(s):
6592-5618 bottom panel
6596-5618 bottom panel

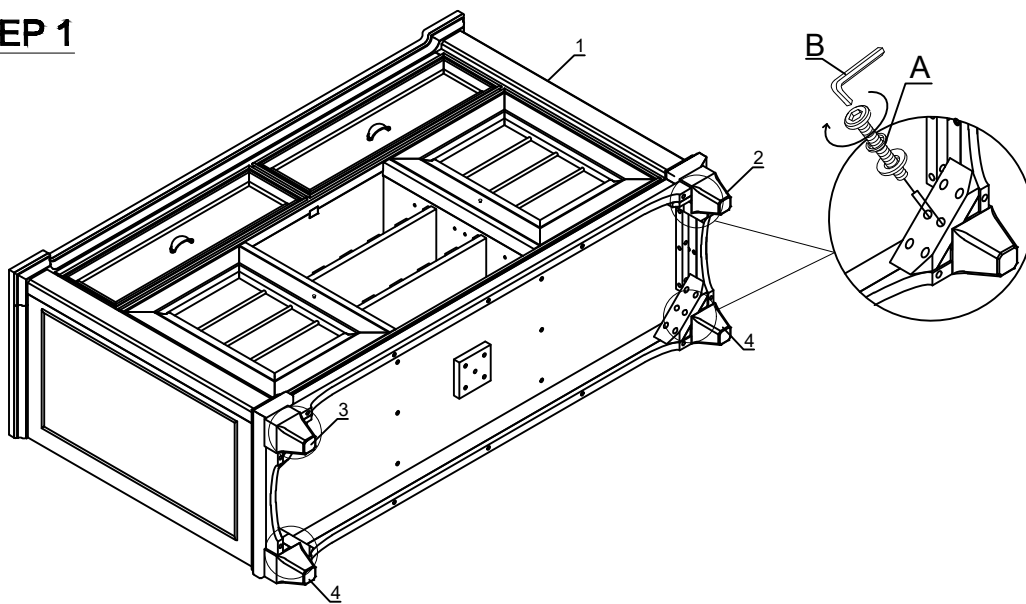
HOUS 6592-5618 BUFFET
6596-5618 BUFFET

SKU# 43865926
SKU# 43865964

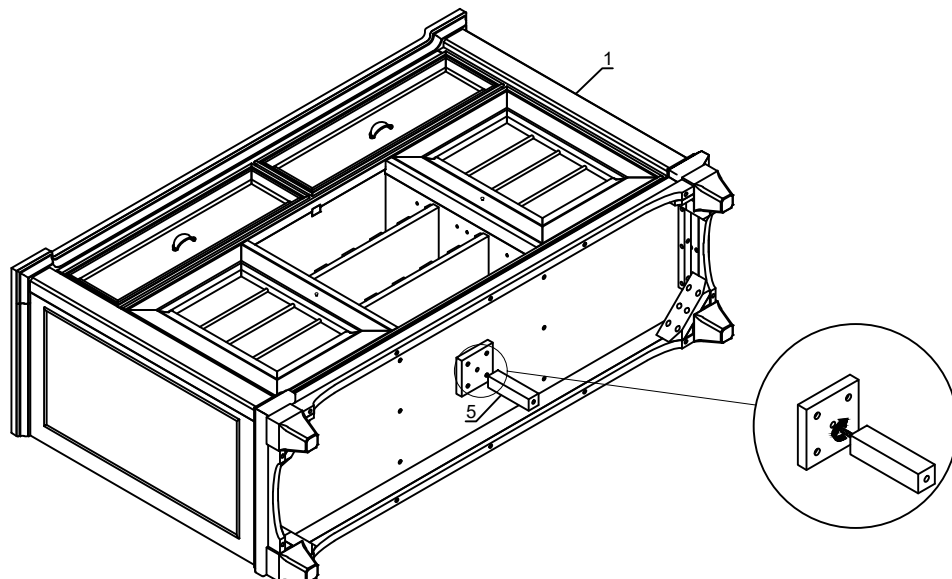
*****Caution: Please read all instructions carefully before starting the assembly process. These parts are cumbersome and heavy. Therefore, two people are recommended in order to prevent personal injury and ensure the parts are not damaged during the assembly.**

*****Avertissement: veuillez lire toutes les instructions attentivement avant de commencer l'assemblage. Ces pièces sont encombrantes et lourdes. Il est recommandé d'être deux personnes pour l'assemblage afin de prévenir des blessures et/ou risquer d'endommager les pièces.**

STEP 1



STEP 2



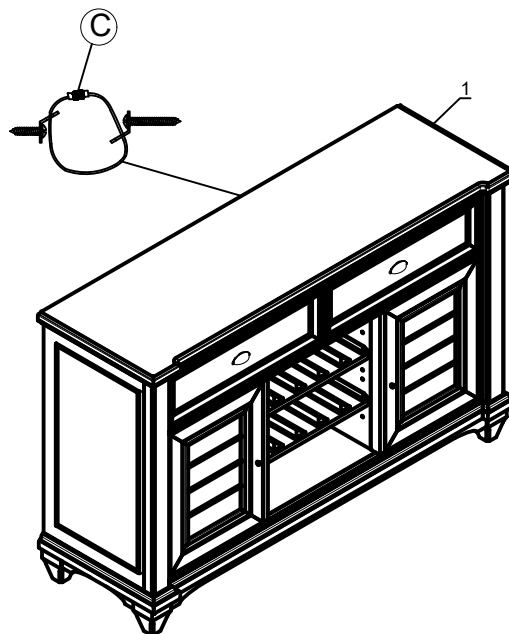
HOUS 6592-5618 BUFFET
6596-5618 BUFFET

SKU# 43865926
SKU# 43865964

*****Caution: Please read all instructions carefully before starting the assembly process. These parts are cumbersome and heavy. Therefore, two people are recommended in order to prevent personal injury and ensure the parts are not damaged during the assembly.**

*****Avertissement: veuillez lire toutes les instructions attentivement avant de commencer l'assemblage. Ces pièces sont encombrantes et lourdes. Il est recommandé d'être deux personnes pour l'assemblage afin de prévenir des blessures et/ou risquer d'endommager les pièces.**

STEP 1



STEP 2

