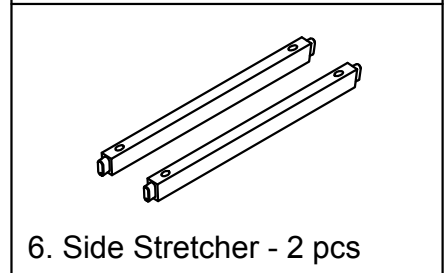
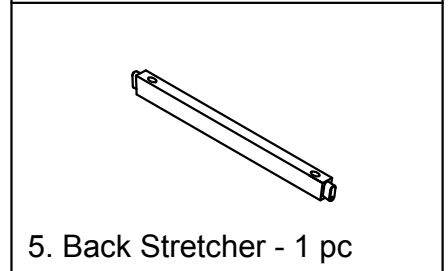
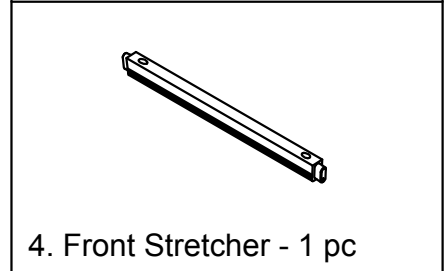
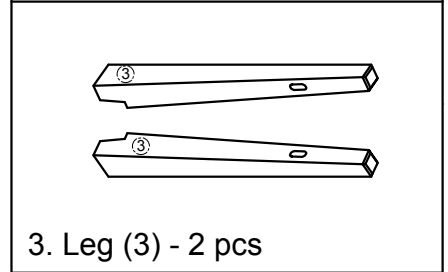
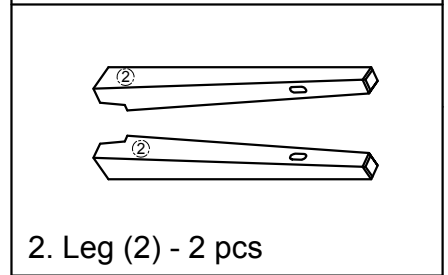
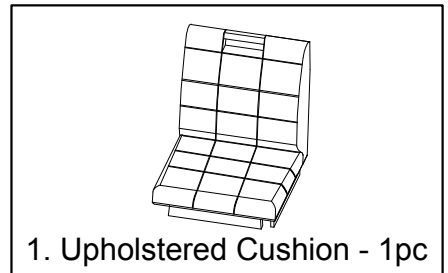
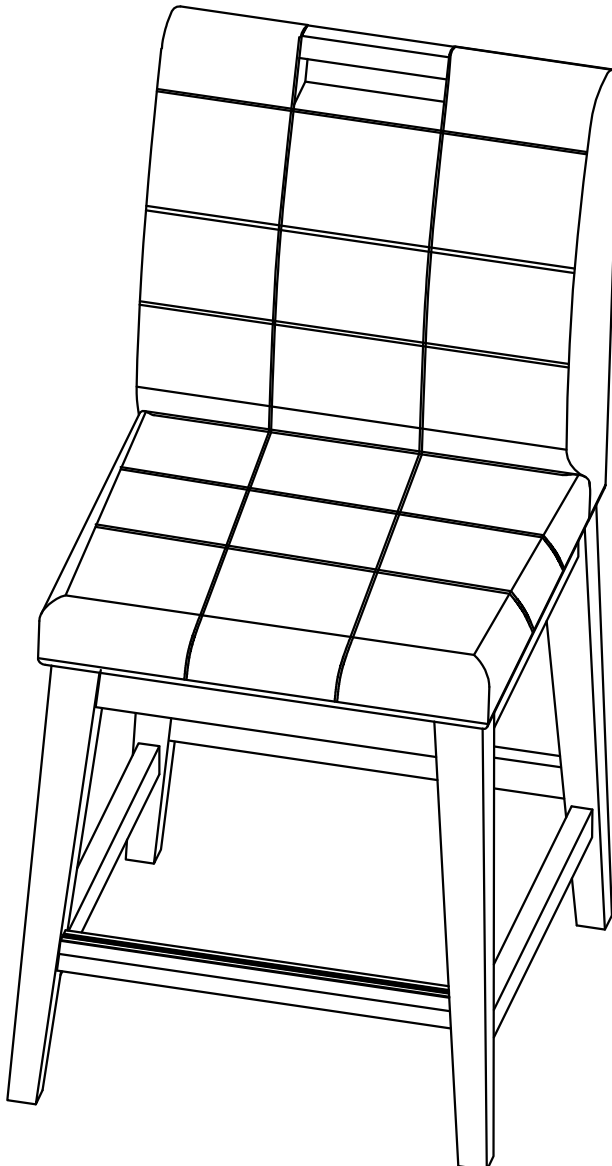


# ASSEMBLY INSTRUCTIONS

GLOB 8856-2 VANILLA BARSTOOL  
 GLOB 8856-2B BROWN BARSTOOL

SKU# 43788566  
 SKU# 43488560

STEP	CODE	HARDWARE	Q'TY
	A	Allen Wrench	1 pc
1	B	Bolt Ø5/16" x 18 x 2-1/4"	8 pcs
		Spring washer Ø5/16"	8 pcs
		Flat washer Ø5/16"	8 pcs
2	C	Wood Screw Ø5/32" x 1-3/4"	8 pcs
		Glue	1 pc



Hardware Pack Location (s) :  
 8856-2 VANILLA BARSTOOL SKU# 43788566  
 8856-2B BROWN BARSTOOL SKU# 43488560

# ASSEMBLY INSTRUCTIONS

GLOB 8856-2 VANILLA BARSTOOL

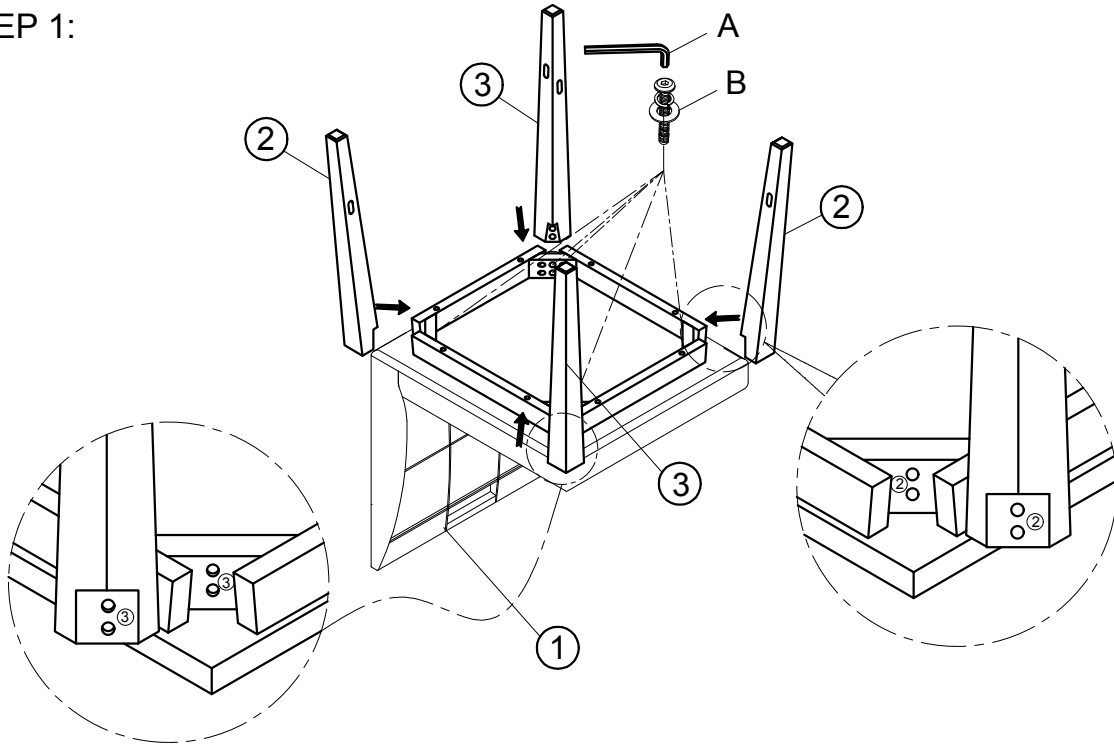
SKU# 43788566

GLOB 8856-2B BROWN BARSTOOL

SKU# 43488560

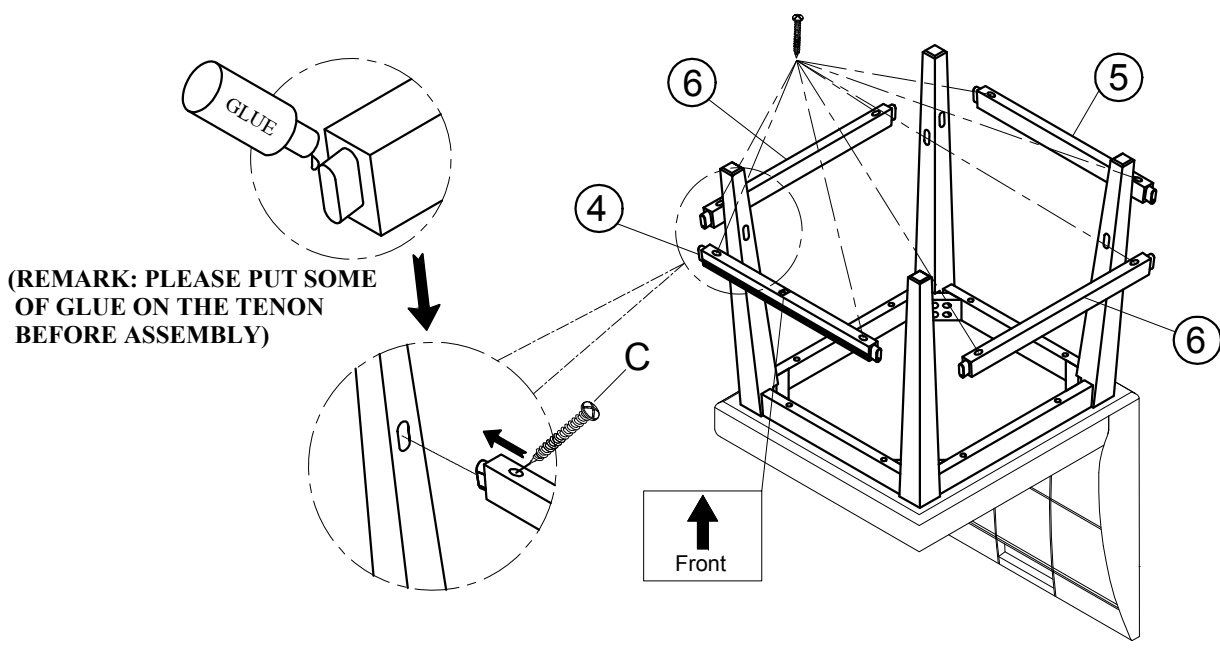
\*\*\*Cautions: Please read all instructions carefully before starting the assembly process. These parts are cumbersome and heavy. Therefore, two people are recommended in order to prevent personal injury and ensure the parts are not damaged during the assembly.

## STEP 1:



Attach the Legs (2) and Legs (3) to the Seat Frame with hardware by Allen Wrench.

## STEP 2:



Attach the Front Stretcher (4), Back Stretcher (5) and Side Stretcher (6) to Legs with screws and glue by screwdriver (not provided).

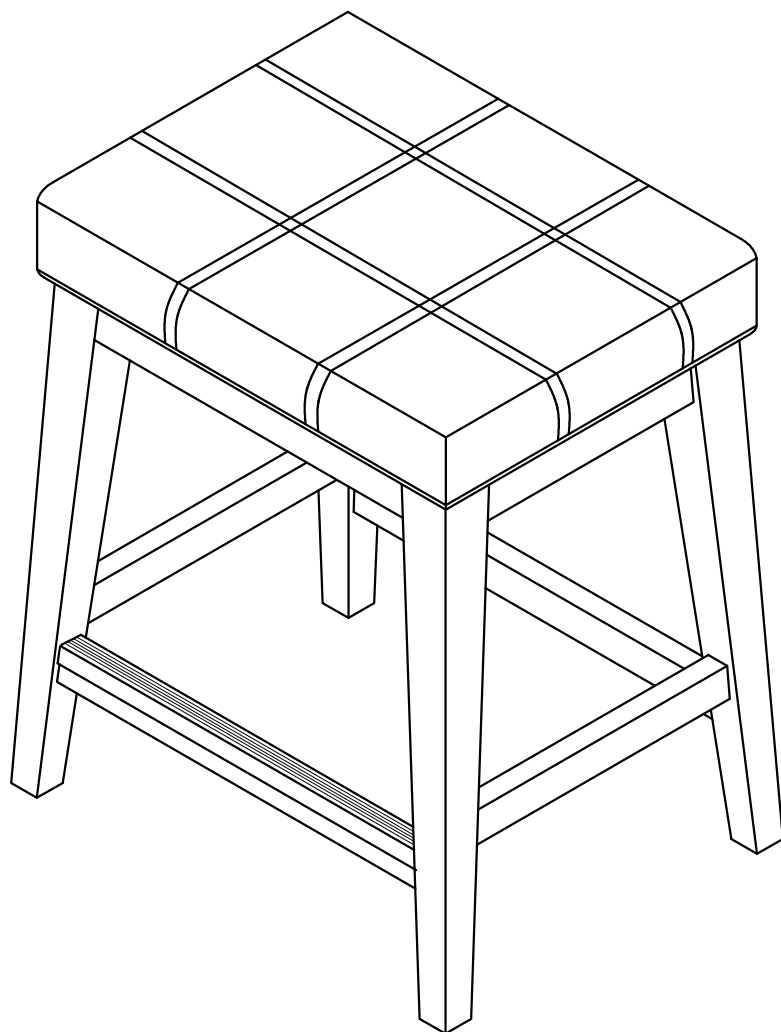
Noted : Do not tighten all the bolts before fully Assembly

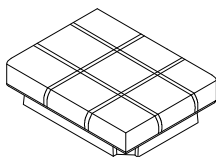
# ASSEMBLY INSTRUCTIONS

**GLOB 8856-3 VANILLA KYOTO STOOL**  
**GLOB 8856-3B BROWN KYOTO STOOL**

**SKU# 43988560**  
**SKU# 43588562**

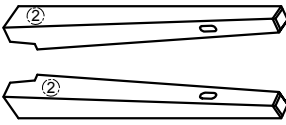
STEP	CODE	HARDWARE	Q'TY
	A	Allen Wrench	1 pc
1	B	Bolt Ø5/16" x 18 x 2"	8 pcs
		Spring washer Ø5/16"	8 pcs
		Flat washer Ø5/16"	8 pcs
2	C	Wood Screw Ø5/32" x 1-3/4"	8 pcs
		Glue	1 pc





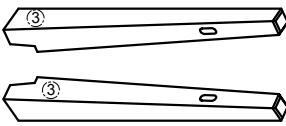
1. Upholstered Cushion - 1pc

---




2. Leg (2) - 2 pcs

---



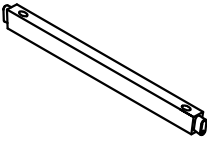
3. Leg (3) - 2 pcs

---



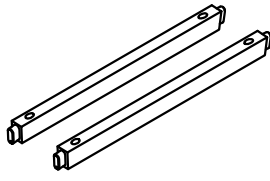
4. Front Stretcher - 1 pc

---



5. Back Stretcher - 1 pc

---



6. Side Stretcher - 2 pcs

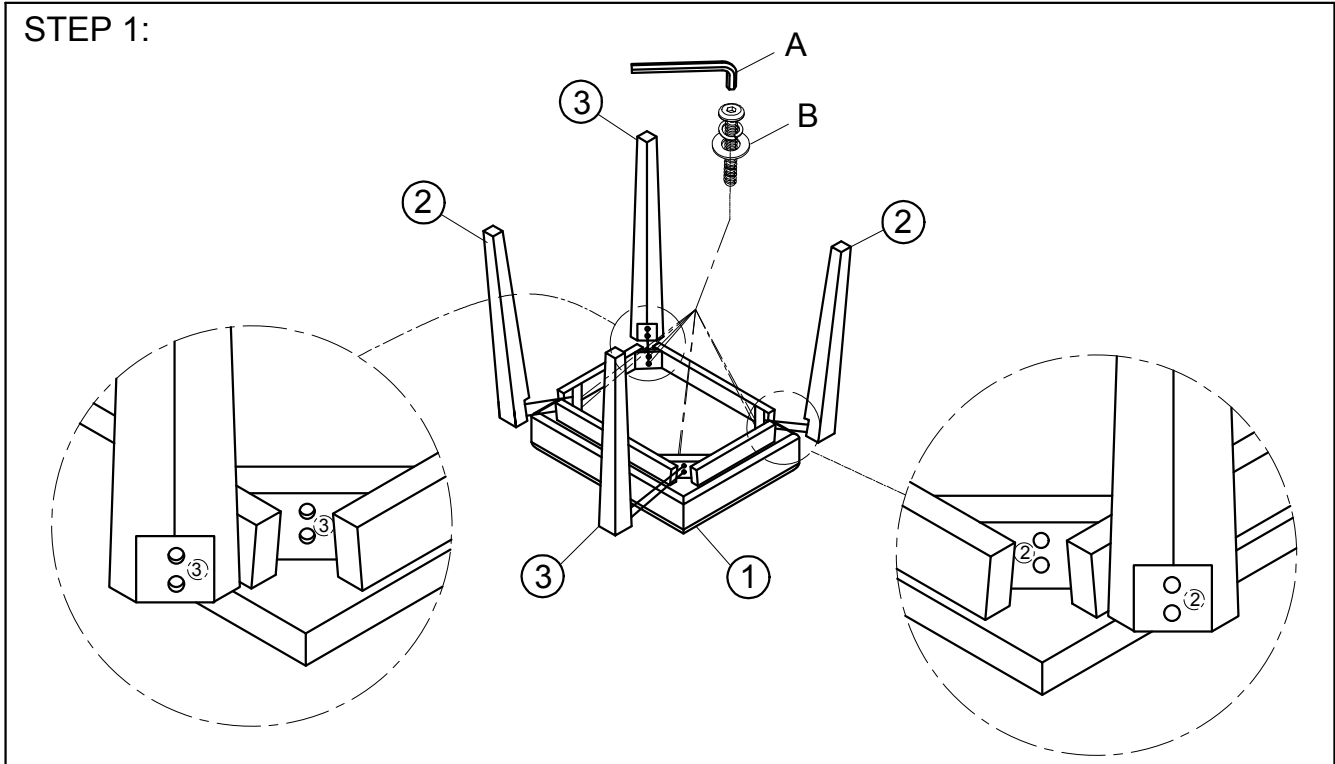
Hardware Pack Location (s) :  
 8856-3 VANILLA KYOTO STOOL SKU# 43988560  
 8856-3B BROWN KYOTO STOOL SKU# 43588562

# ASSEMBLY INSTRUCTIONS

GLOB 8856-3 VANILLA KYOTO STOOL SKU# 43988560  
GLOB 8856-3B BROWN KYOTO STOOL SKU# 43588562

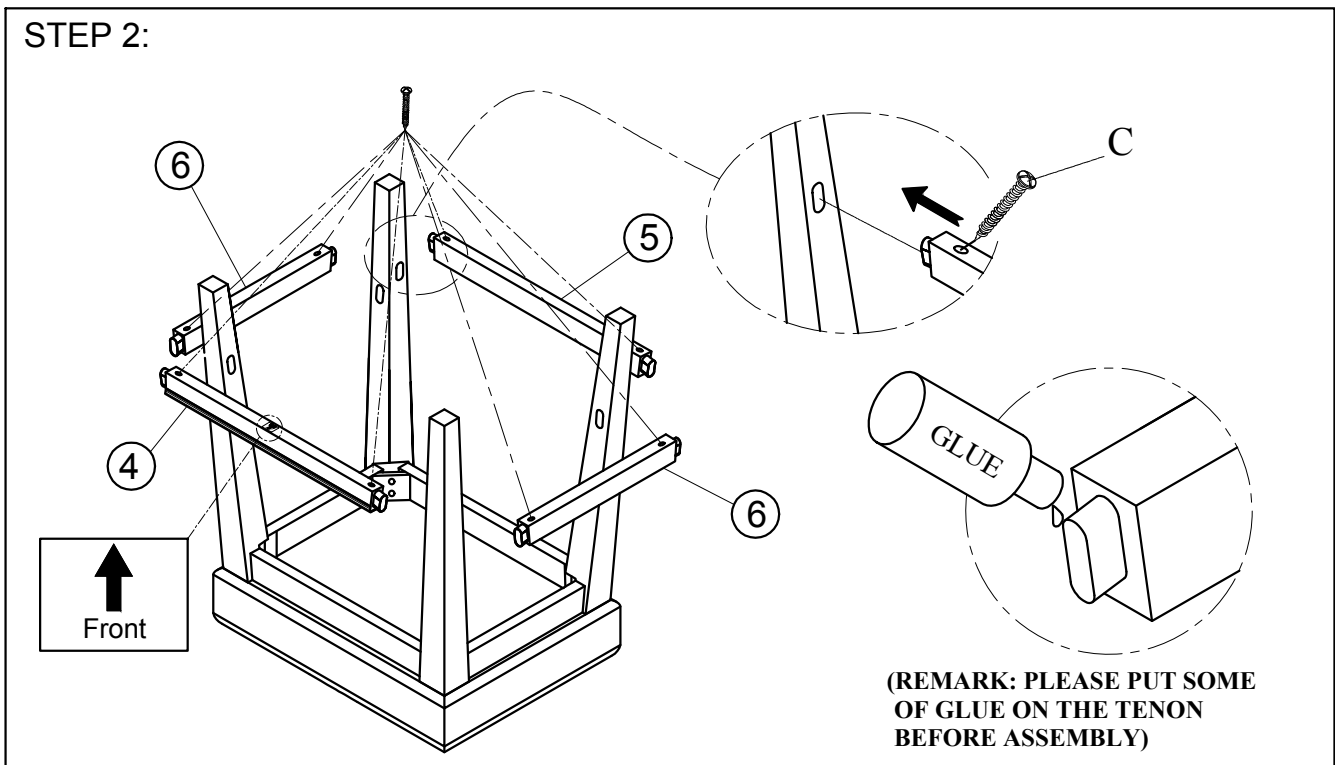
\*\*\*Cautions: Please read all instructions carefully before starting the assembly process. These parts are cumbersome and heavy. Therefore, two people are recommended in order to prevent personal injury and ensure the parts are not damaged during the assembly.

## STEP 1:



Attach the Legs (2) and Legs (3) to the Seat Frame with hardware by Allen Wrench.

## STEP 2:



Attach the Front Stretcher (4), Back Stretcher (5) and Side Stretcher (6) to Legs with screws and glue by screwdriver (not provided).

Noted : Do not tighten all the bolts before fully Assembly

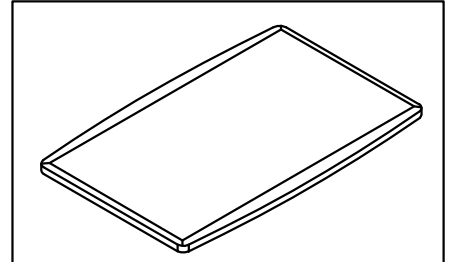
This product is manufactured by GLOB for ROOMS TO GO

# ASSEMBLY INSTRUCTIONS

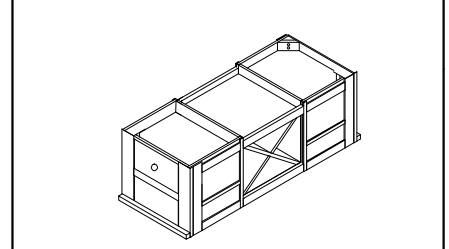
GLOB 8856-1T TABLE TOP SKU# 43288566

GLOB 8856-1B TABLE BASE SKU# 43388568

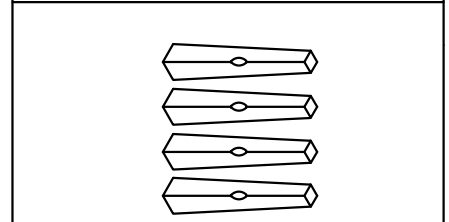
STEP	CODE	HARDWARE	Q'TY
	A	Allen Wrench	1 pc
1	B	Bolt Ø5/16" x 18 x 2"	16 pcs
		Spring washer Ø5/16"	16 pcs
		Flat washer Ø5/16"	16 pcs



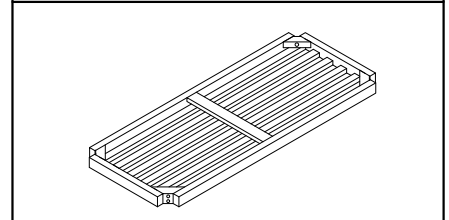
1. Top - 1pc



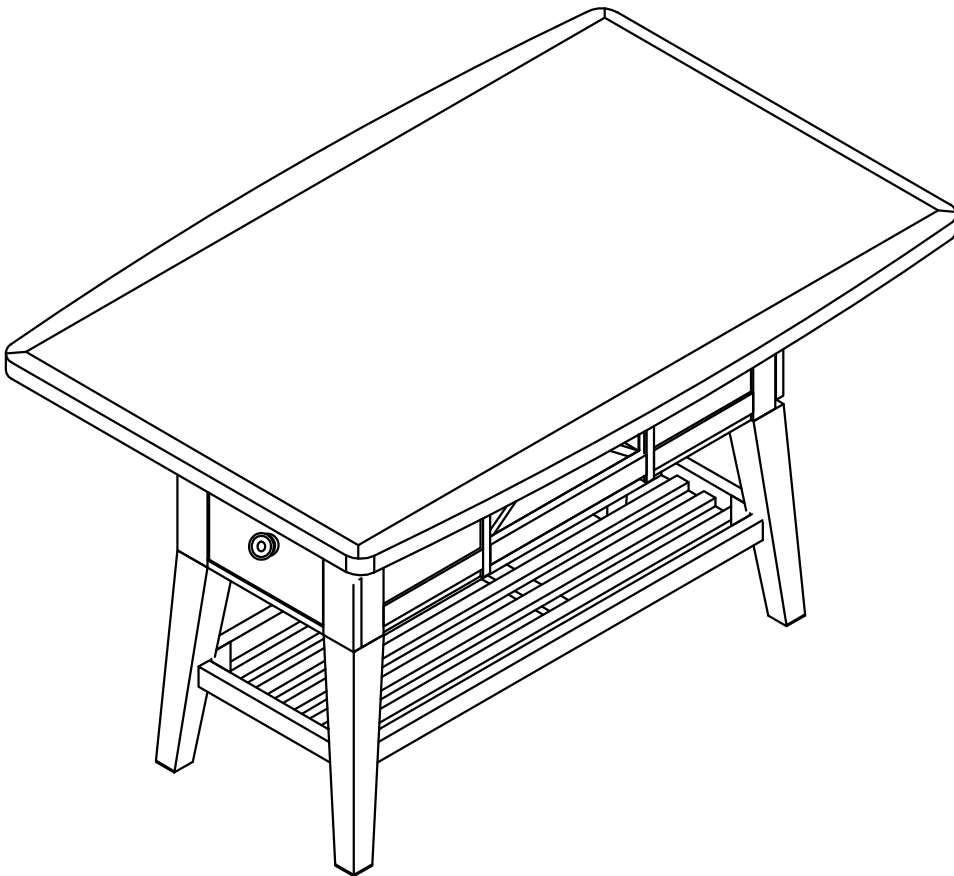
2. Base - 1 pc



3. Leg - 4 pcs



4. Bottom Shelf - 1 pc



Hardware Pack Location (s) :  
8856-1B TABLE BASE SKU# 43388568

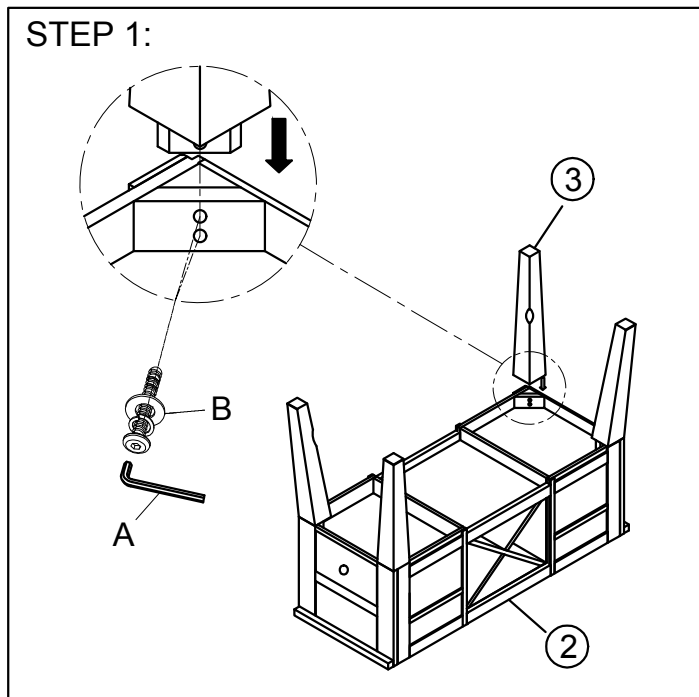
# ASSEMBLY INSTRUCTIONS

GLOB 8856-1T TABLE TOP SKU# 43288566

GLOB 8856-1B TABLE BASE SKU# 43388568

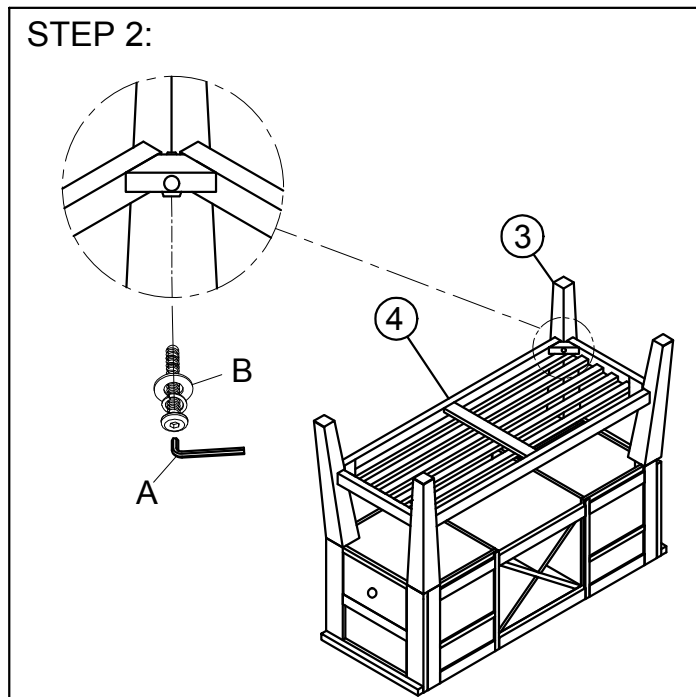
\*\*\*Cautions: Please read all instructions carefully before starting the assembly process. These parts are cumbersome and heavy. Therefore, two people are recommended in order to prevent personal injury and ensure the parts are not damaged during the assembly.

## STEP 1:



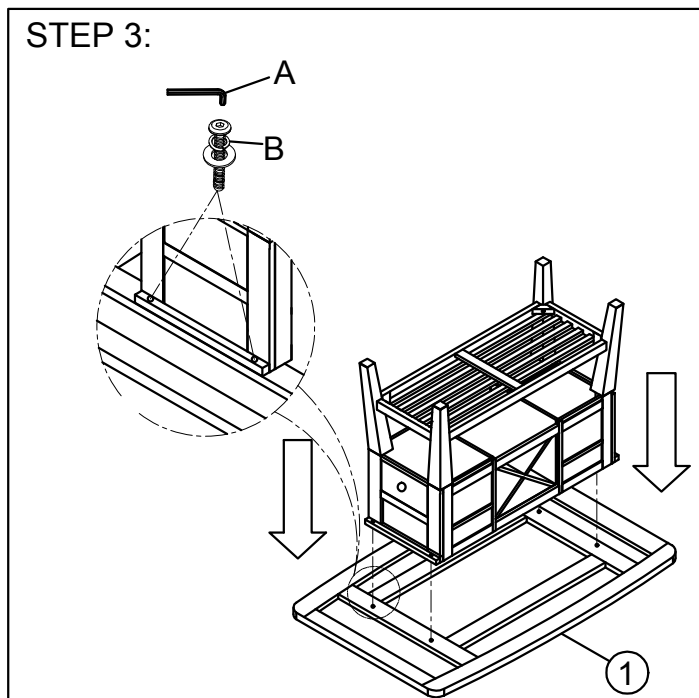
Attach Legs (3) to the Table Base (2) with hardware by Allen Wrench.

## STEP 2:



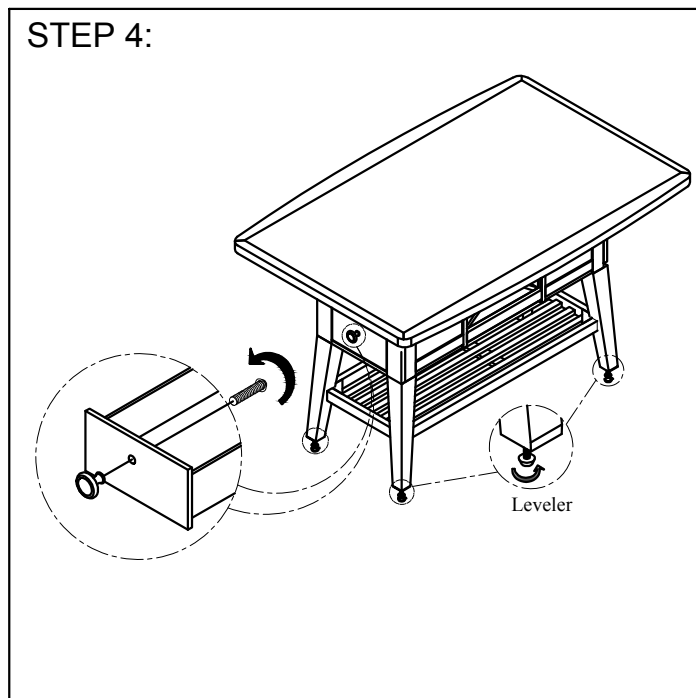
Attach Bottom Shelf (4) to Legs (3) with hardware by Allen Wrench.

## STEP 3:



Attach the whole Table Base to Table Top (1) with hardware by Allen Wrench.

## STEP 4:



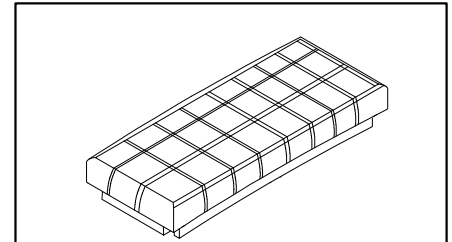
To unscrew the knob attached inside of drawer and then attach the knob to the outside of drawer.

Noted : Do not tighten all the bolts before fully Assembly

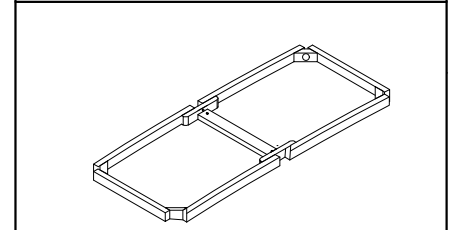
# ASSEMBLY INSTRUCTIONS

GLOB 8856-4 VANILLA BENCH SKU# 43888568  
 GLOB 8856-4B BROWN BENCH SKU# 43688564

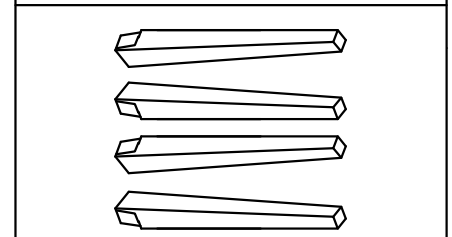
STEP	CODE	HARDWARE	Q'TY
	A	Allen Wrench	1 pc
1	B	Bolt Ø5/16" x 18 x 2"	12 pcs
		Spring washer Ø5/16"	12 pcs
		Flat washer Ø5/16"	12 pcs
2	C	Bolt Ø1/4" x 20 x 1-1/2"	4 pcs
		Spring washer Ø1/4"	4 pcs
		Flat washer Ø1/4"	4 pcs
3	D	Plastic cover Ø25 x 3/4"	4 pcs



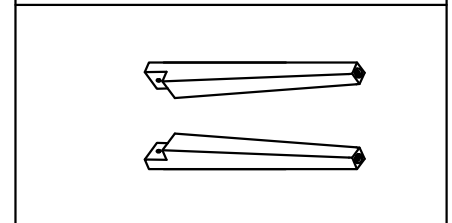
1. Seat - 1pc



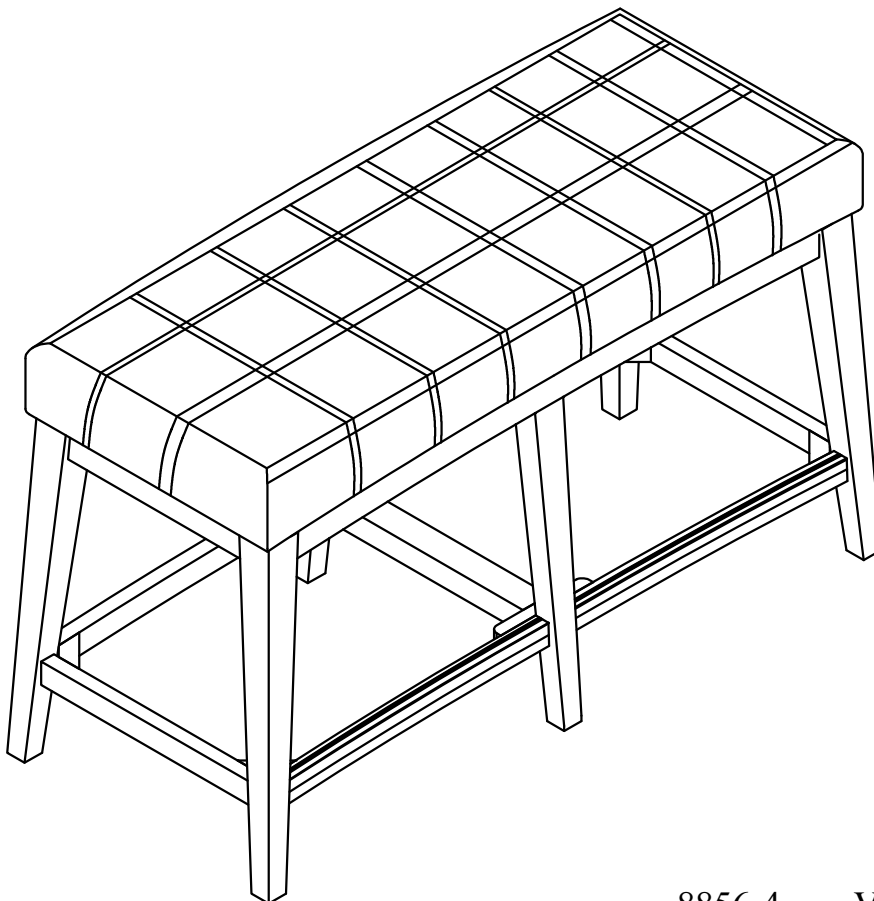
2. Bottom Frame - 1 pc



3. Leg - 4 pcs



4. Middle Leg - 2 pcs



Hardware Pack Location (s) :

8856-4 VANILLA BENCH SKU# 43888568  
 8856-4B BROWN BENCH SKU# 43688564

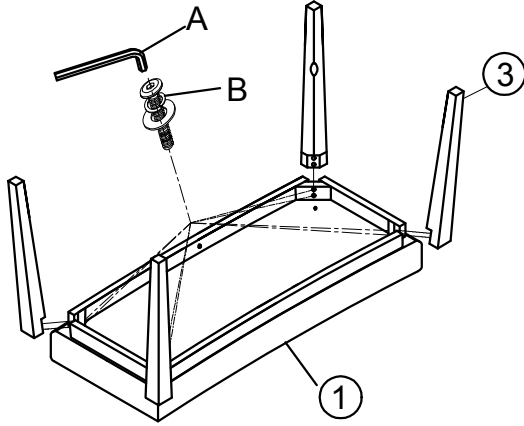
# ASSEMBLY INSTRUCTIONS

GLOB 8856-4 VANILLA BENCH SKU# 43888568

GLOB 8856-4B BROWN BENCH SKU# 43688564

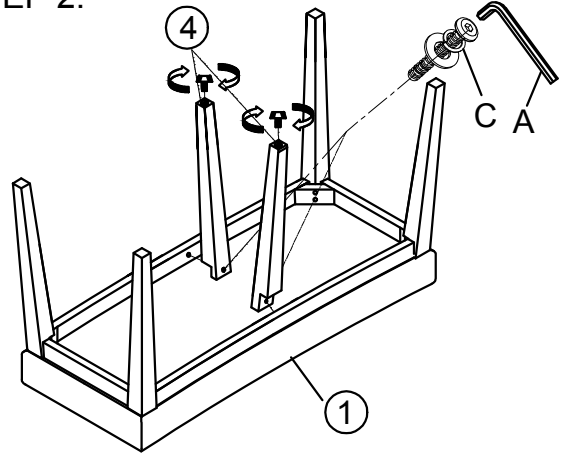
\*\*\*Cautions: Please read all instructions carefully before starting the assembly process. These parts are cumbersome and heavy. Therefore, two people are recommended in order to prevent personal injury and ensure the parts are not damaged during the assembly.

## STEP 1:



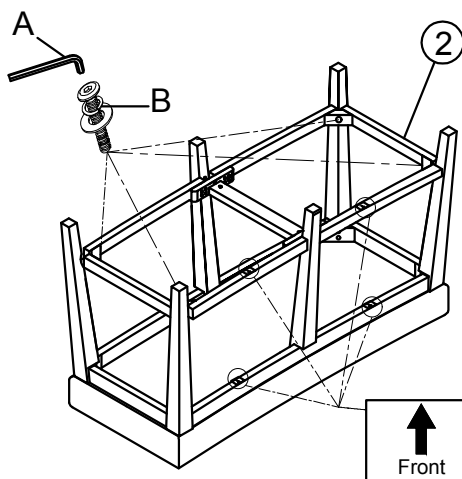
Attach Legs (3) to Seat (1) with hardware by Allen Wrench.

## STEP 2:



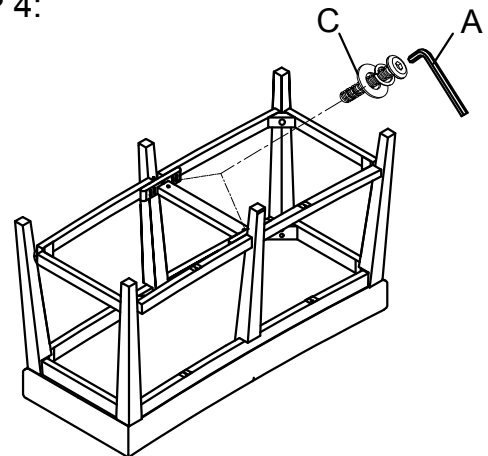
Attach Middle Legs (4) to Seat (1) with hardware by Allen Wrench.

## STEP 3:



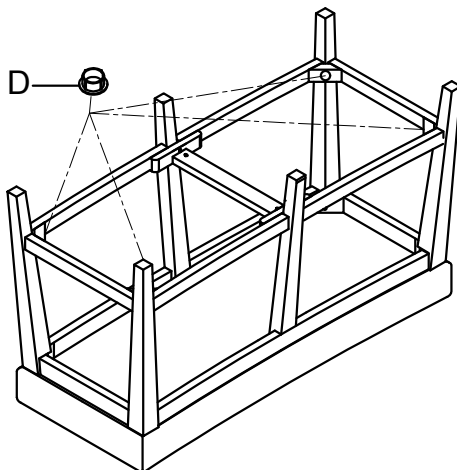
Attach Bottom Frame (2) to Leg with hardware by Allen Wrench.

## STEP 4:



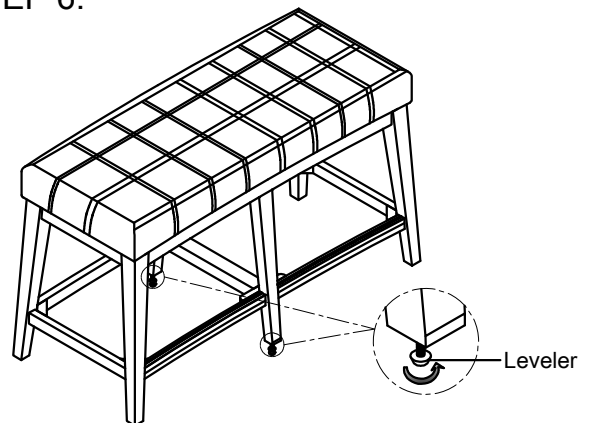
Attach Bottom Frame (2) to Middle Leg (4) with hardware by Allen Wrench.

## STEP 5:



Put Plastic cover to the hole of bottom frame.

## STEP 6:



Noted : Do not tighten all the bolts before fully Assembly

This product is manufactured by GLOB for ROOMS TO GO