



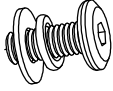
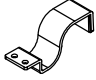
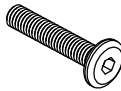

ROOMS TO GO PATIO™

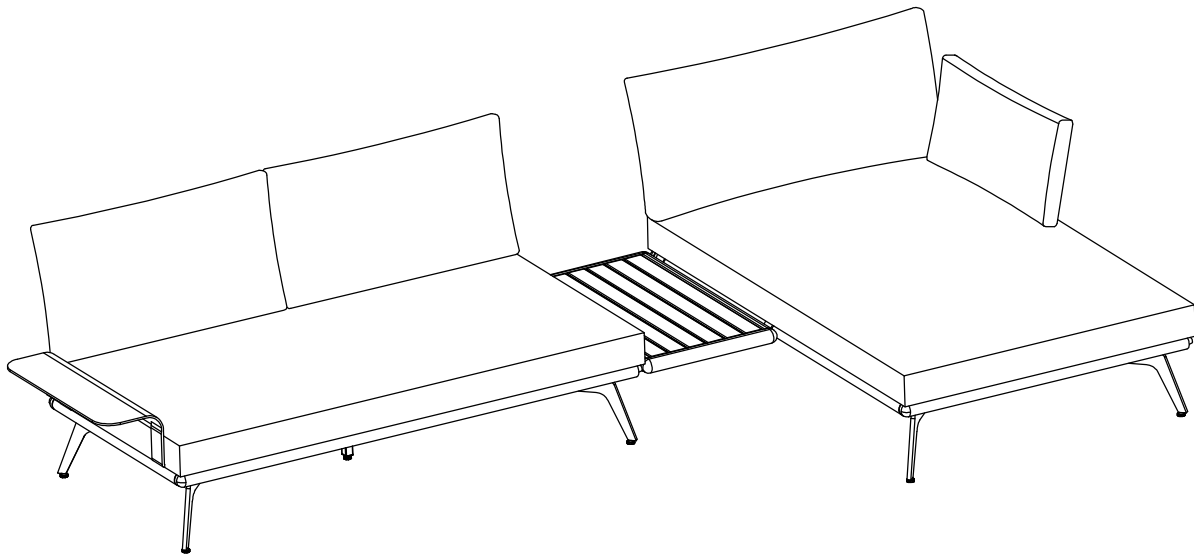
Assembly Instructions

MANUFACTURED FOR ROOMS TO GO

LARKIN SECTIONAL SET

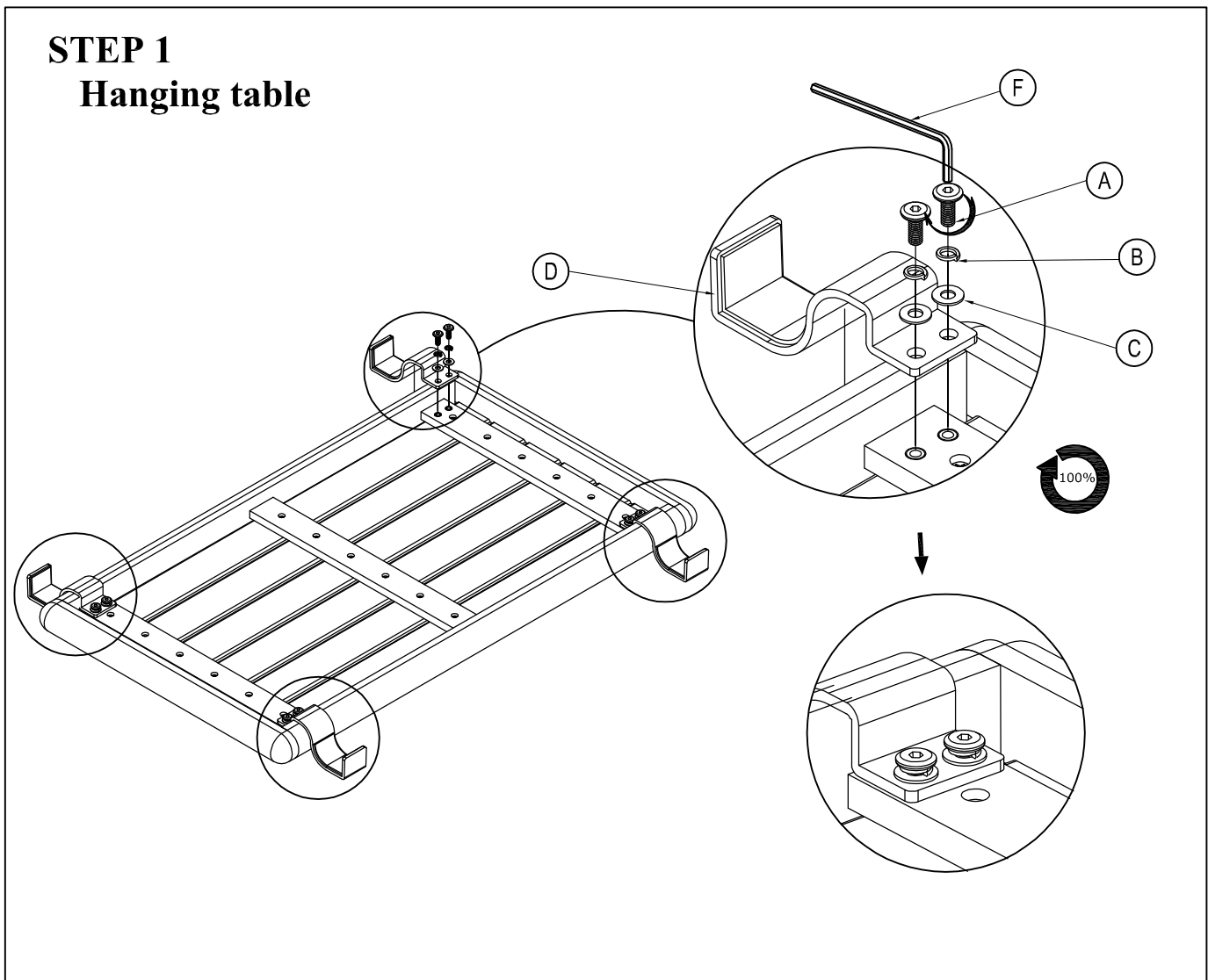
SKU# 70131366

Step	Code	Hardware		Q'ty
1	A	F-Bolt 6x15 ,P-HEX, ST (TPI=24)		08 pcs
1	B	Spring Washer 6.5x10.5x1.5, ST		08 pcs
1	C	Plain Washer 6.5x14x1, ST		08 pcs
1	D	Support Pat 126x54x40xt4, MM		04 pcs
2,3,4,5	E	F-Bolt 6x25, P-HEX, ST (TPI=24)		56 pcs
1,2,3,4,5	F	Allen key 4x98		03 pcs



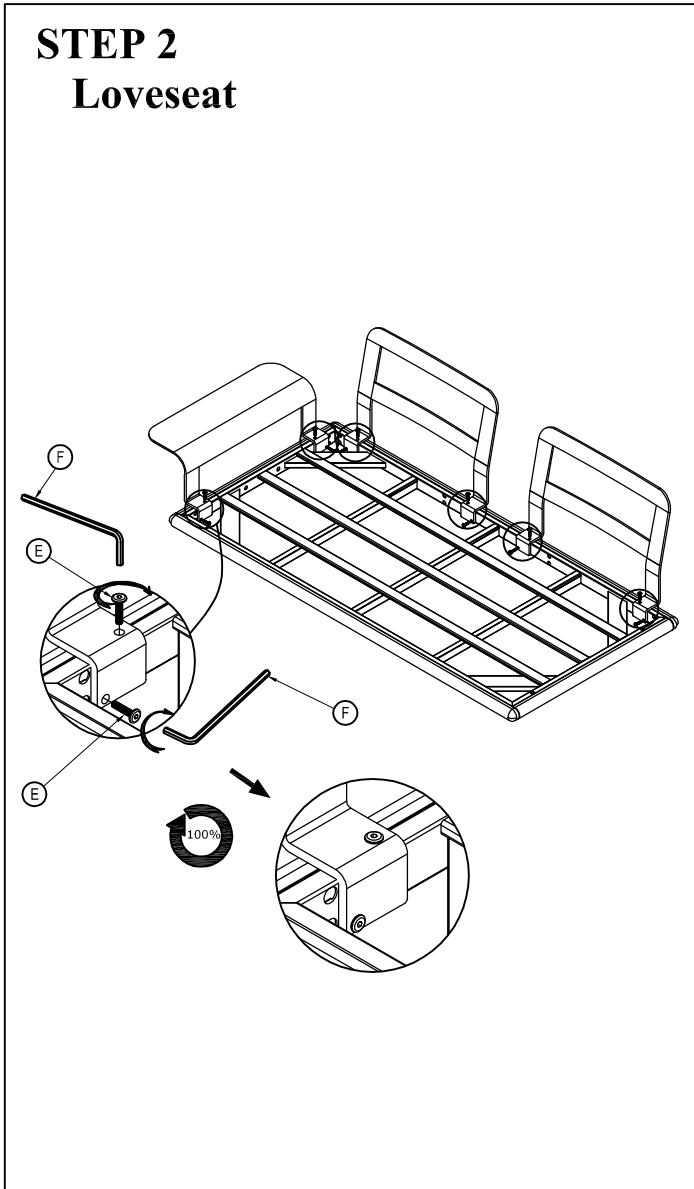
Hardware Pack Location (s):
LARKIN SECTIONAL SET , SKU# 70131366

***Caution: Please read all instructions carefully before starting the assembly process. Always place parts on a flat surface lined with an anti-scratch fabric. These parts are cumbersome and heavy. Therefore, two people are recommended in order to prevent personal injury and insure the parts are not damaged during the assembly.



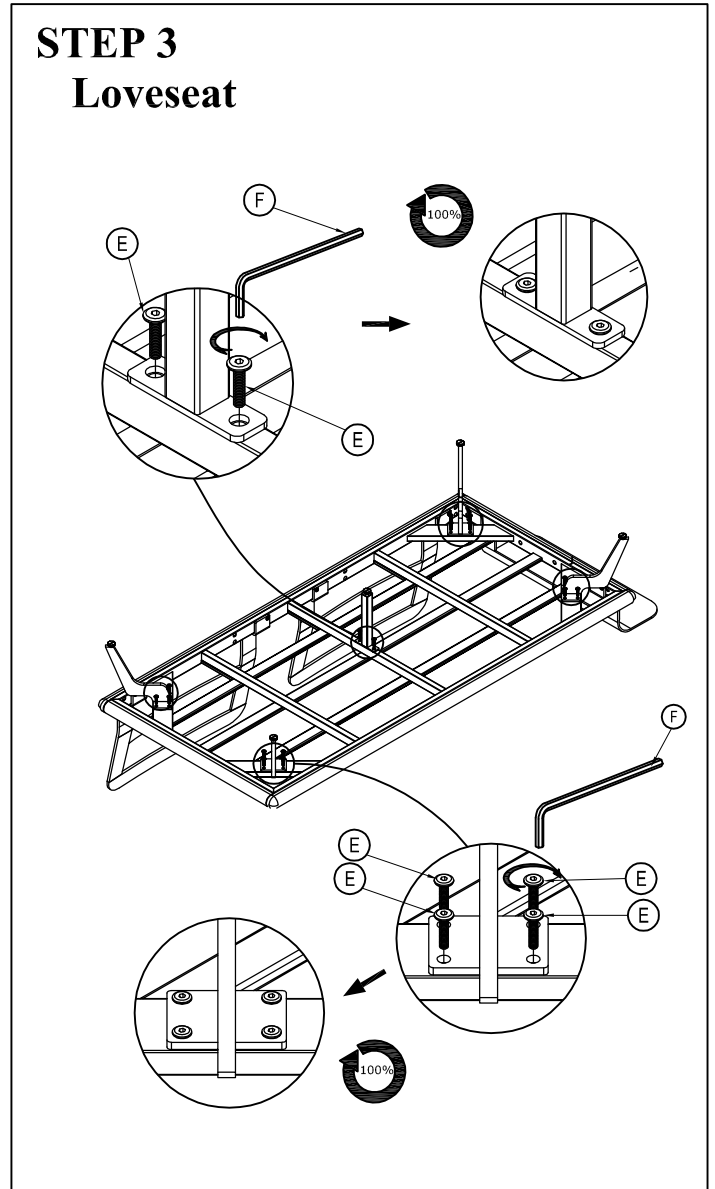
Attach Support Pat (D) to the below of the table with F-Bolt (A), Spring Washer (B), Plain Washer (C). Tighten with Allen key (F) to 100% tightness.

STEP 2
Loveseat



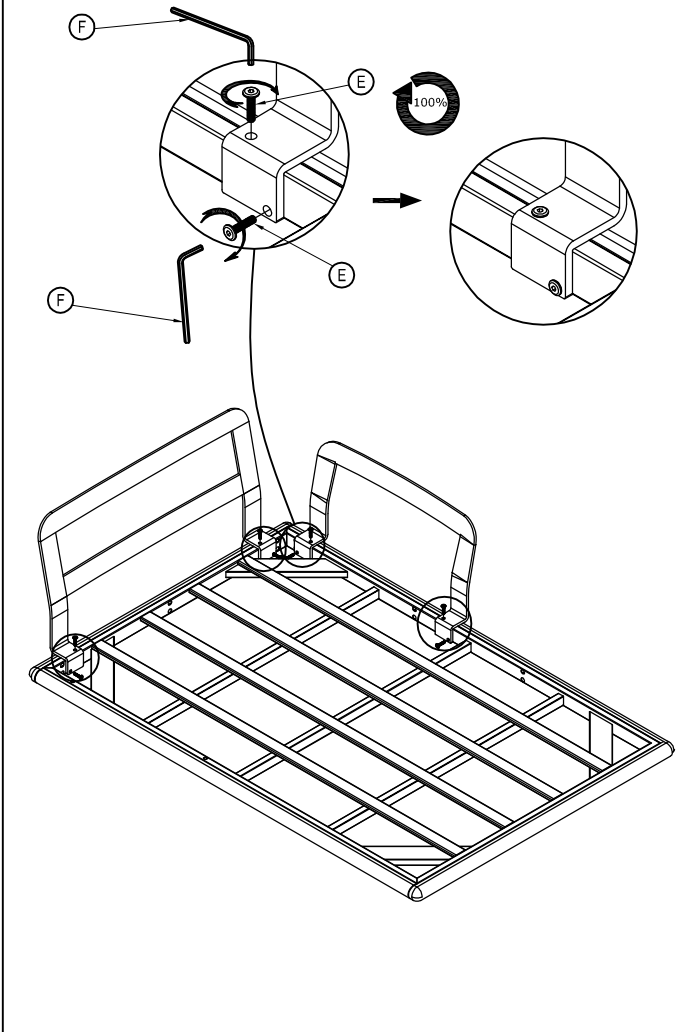
Attach the armrest and backrest to the seat panel with F-Bolt (E), tighten with Allen key (F) to 100% tightness

STEP 3
Loveseat



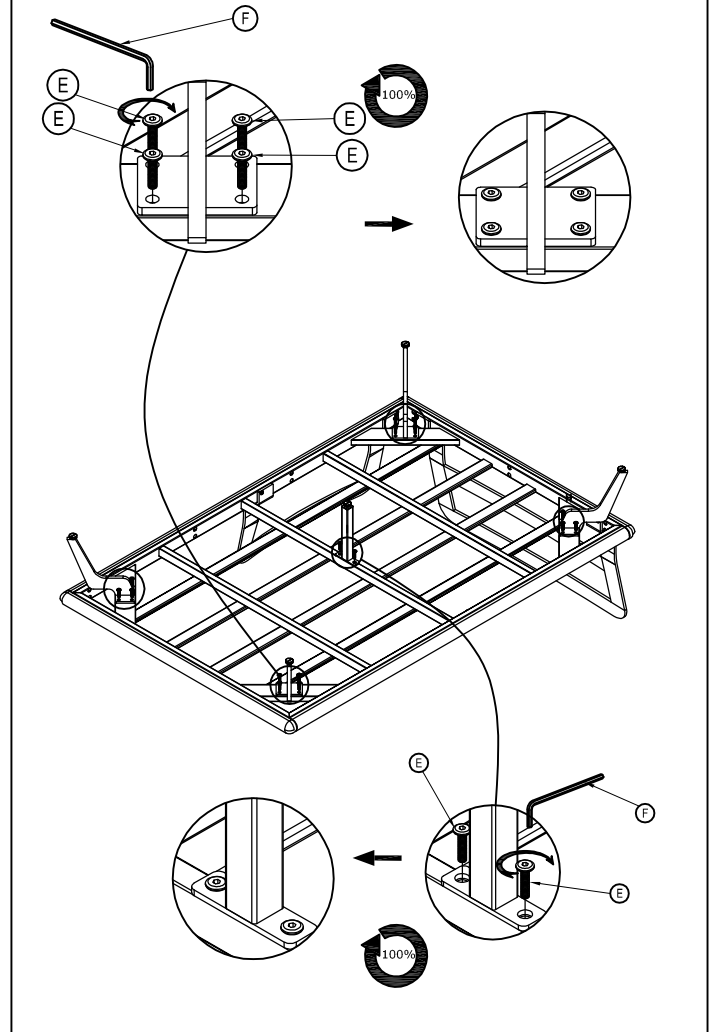
Attach the chair legs to the seat panel with F-Bolt (E), tighten with Allen key (F) to 100% tightness

STEP 4
Chaise



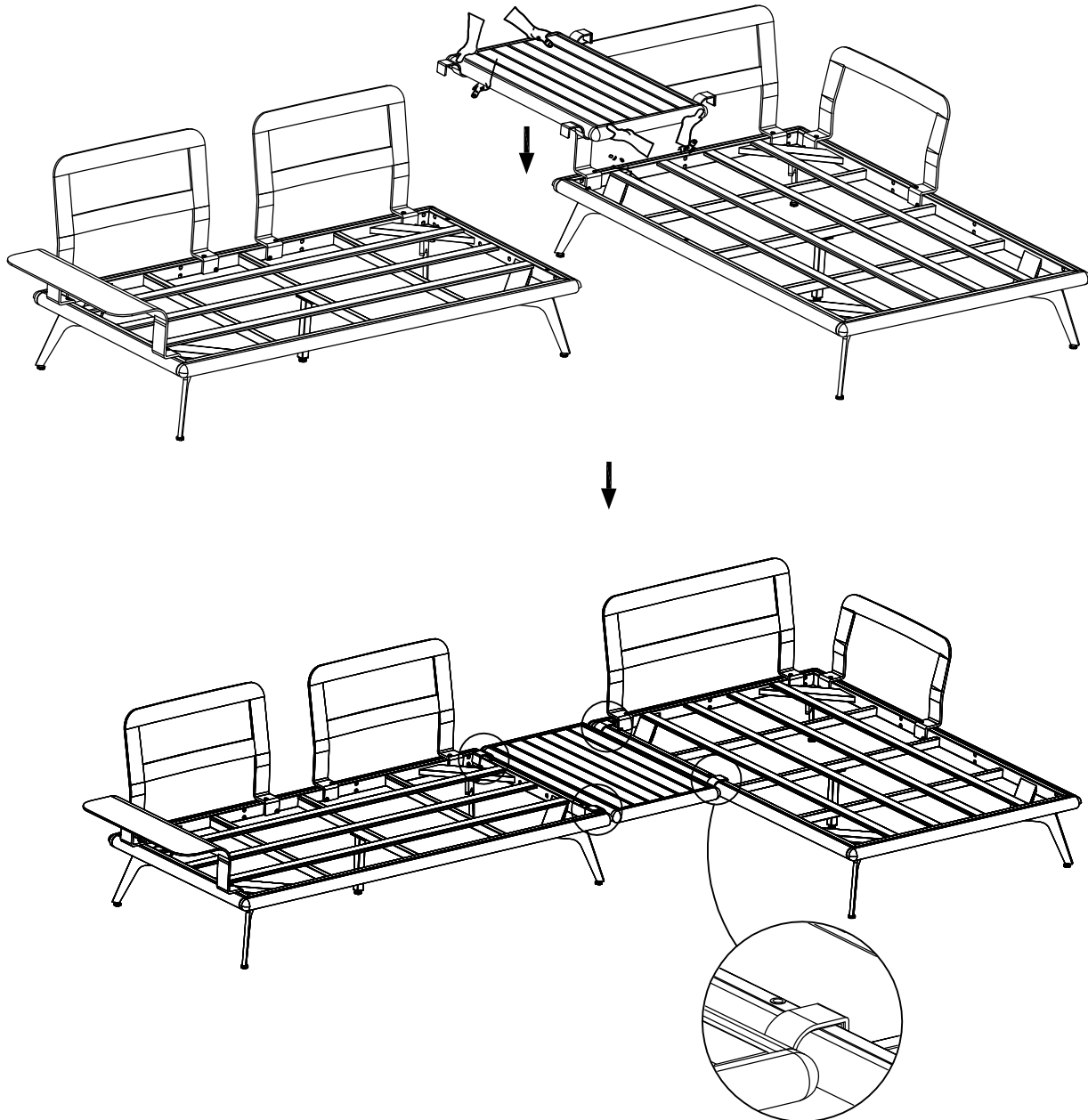
Attach the armrest and backrest to the seat panel with F-Bolt (E), tighten with Allen key (F) to 100% tightness

STEP 5
Chaise



Attach the chair legs to the seat panel with F-Bolt (E), tighten with Allen key (F) to 100% tightness

STEP 6



Attach the Hanging table to the Loveseat chair and Chaise.



ROOMS TO GO PATIO™

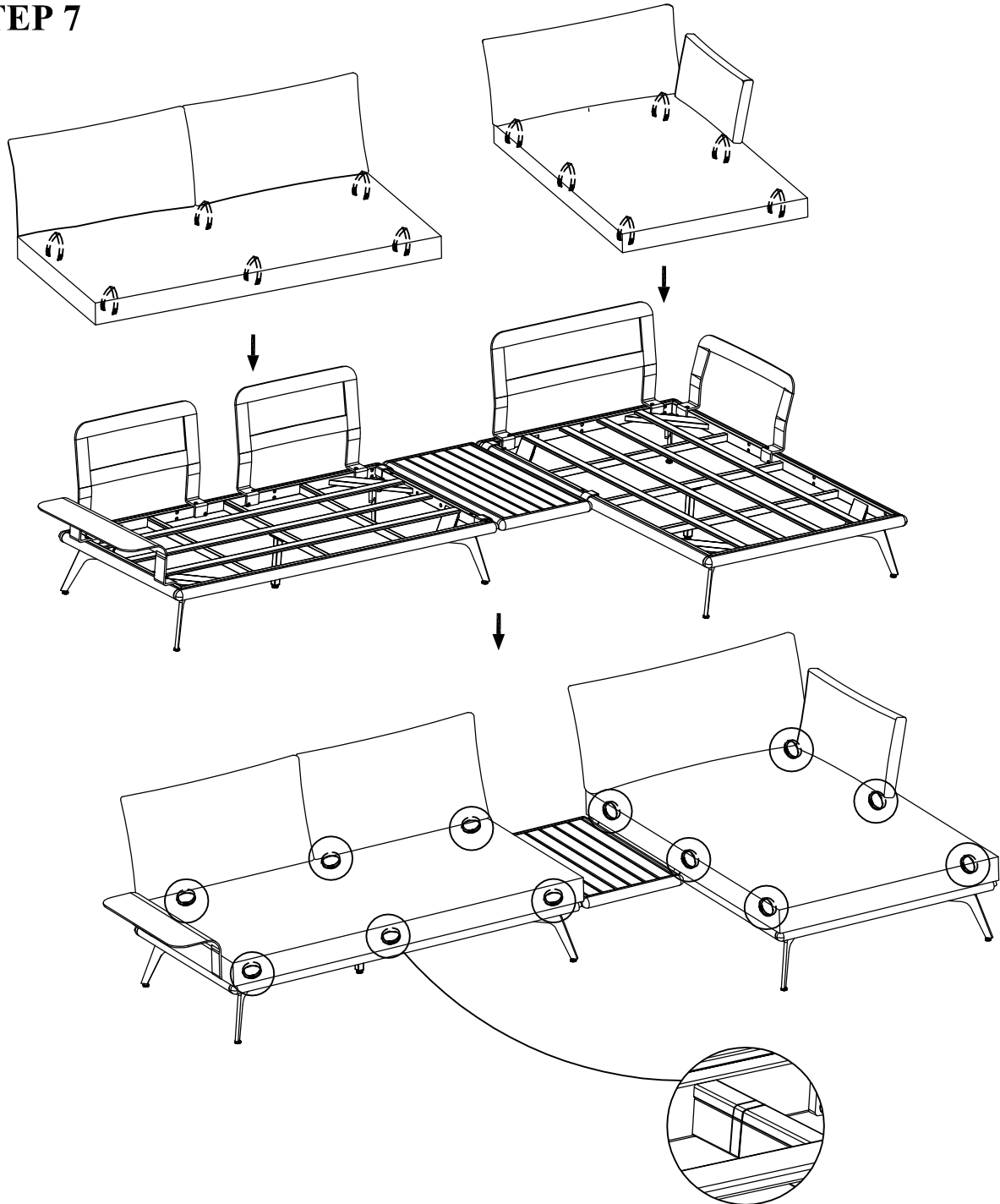
MANUFACTURED FOR ROOMS TO GO

Assembly Instructions

LARKIN SECTIONAL SET

SKU# 70131366

STEP 7



Attach the cushion to the Loveseat and Chaise with velcro strap.

Hardware Pack Location (s):
LARKIN SECTIONAL SET , SKU# 70131366