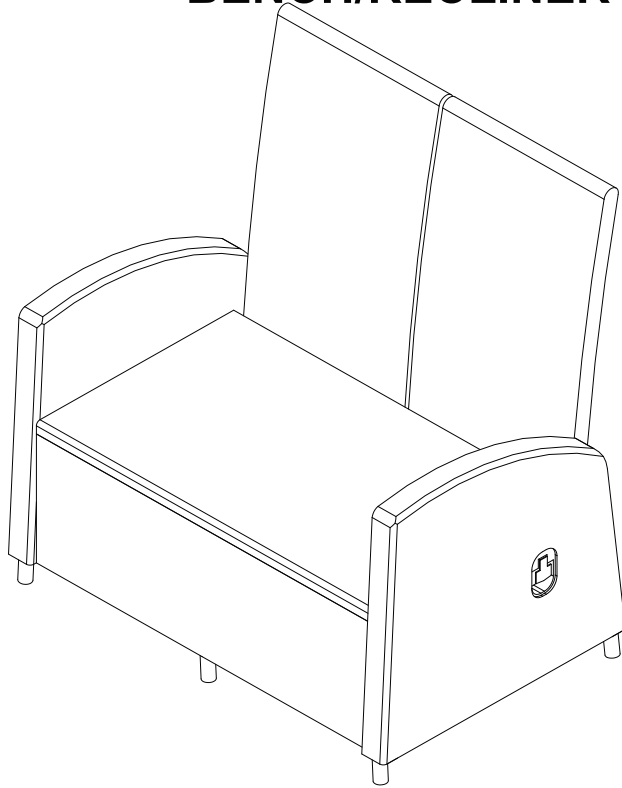


ASSEMBLY INSTRUCTIONS

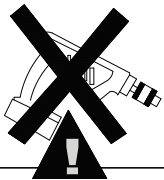
BENCH/RECLINER



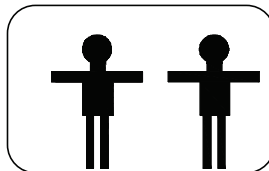
REPLACEMENT PARTS

Please do not contact the company purchased from as we can help you faster.

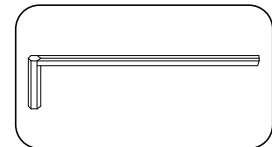
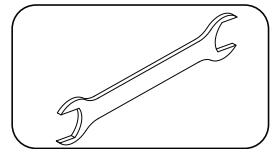
Order replacement parts and hardware at "boltonfurniture.com"



- . Use of power tool to assemble this product will invalidate any claim and damage this product making it unsafe!!!
- . Please assemble on a clean soft surface to avoid damage.

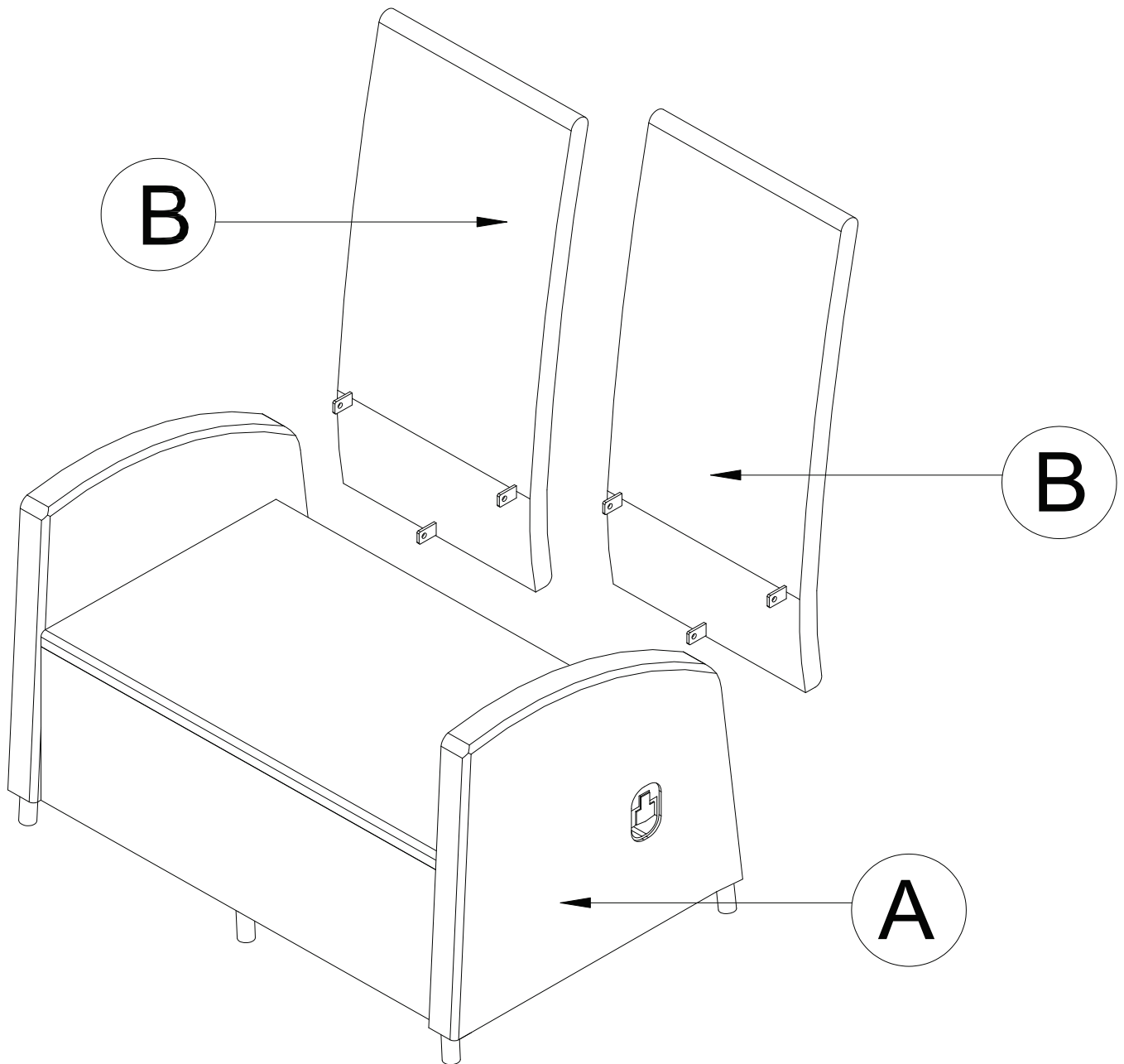


Tool Included

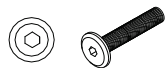
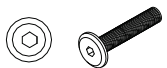
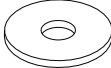
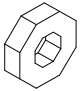




www.boltonfurniture.com

Part List-Bench/Recliner









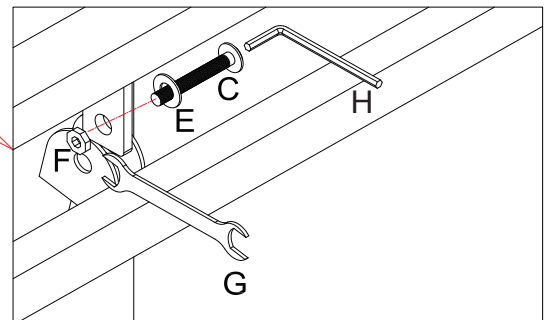
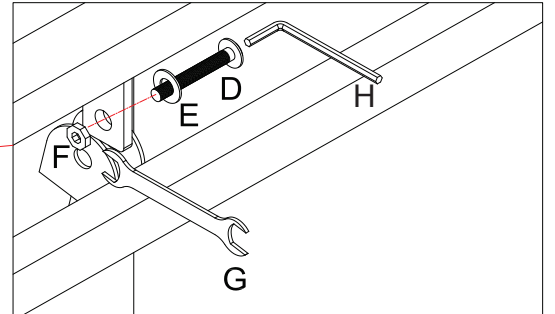
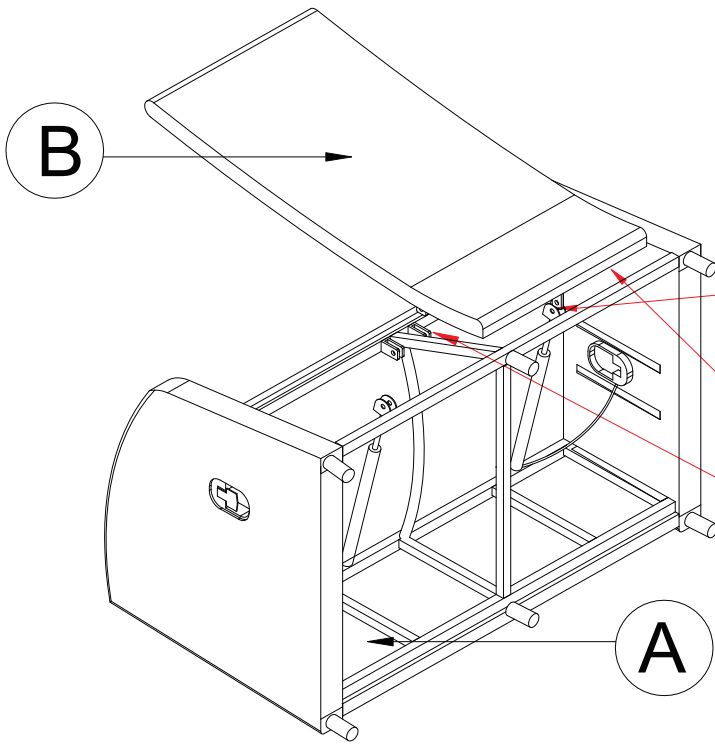
Identifying the hardware-Identify the hardware using the illustrations below.

C  04 M8X35mm	D  02 M8X50mm	E  06
F  06	G  01	H  01







www.boltonfurniture.com

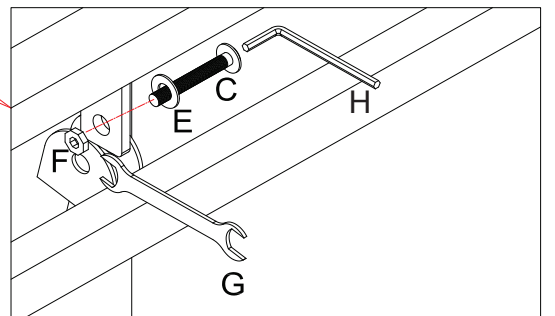
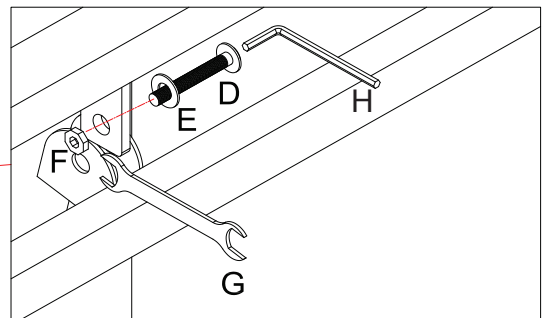
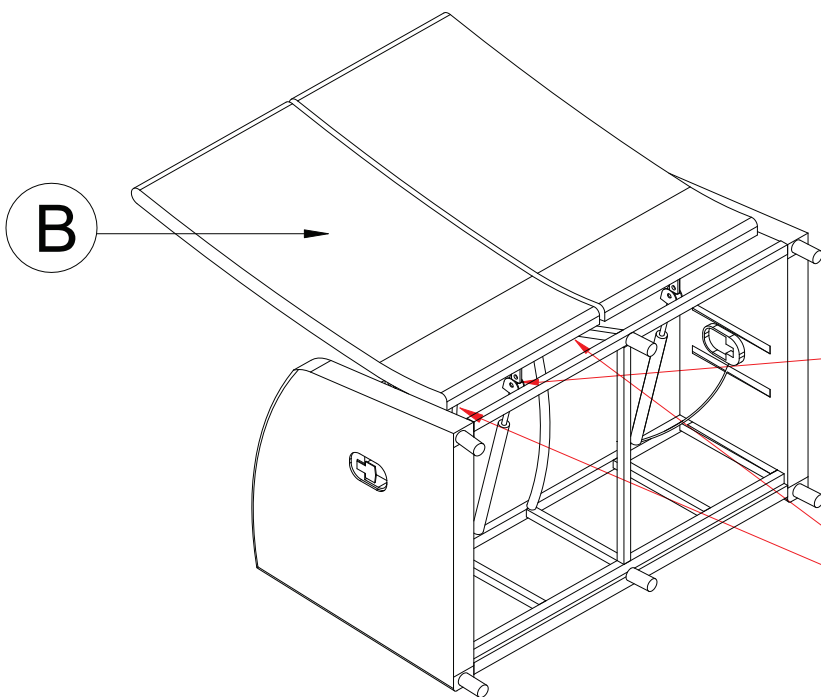
STEP 1

C		02	D		01
	M8X35mm			M8X50mm	
E		03	F		03
G		01	H		01



STEP 2

C		02	D		01
	M8X35mm			M8X50mm	
E		03	F		03
G		01	H		01



STEP 3

