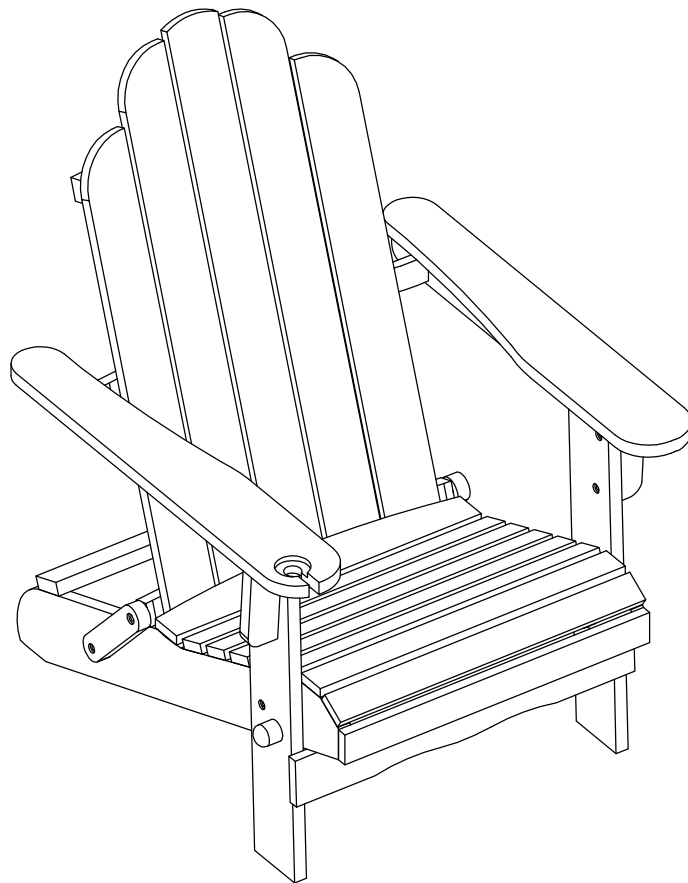


# Item # : OWACKD

## Assembly Instructions

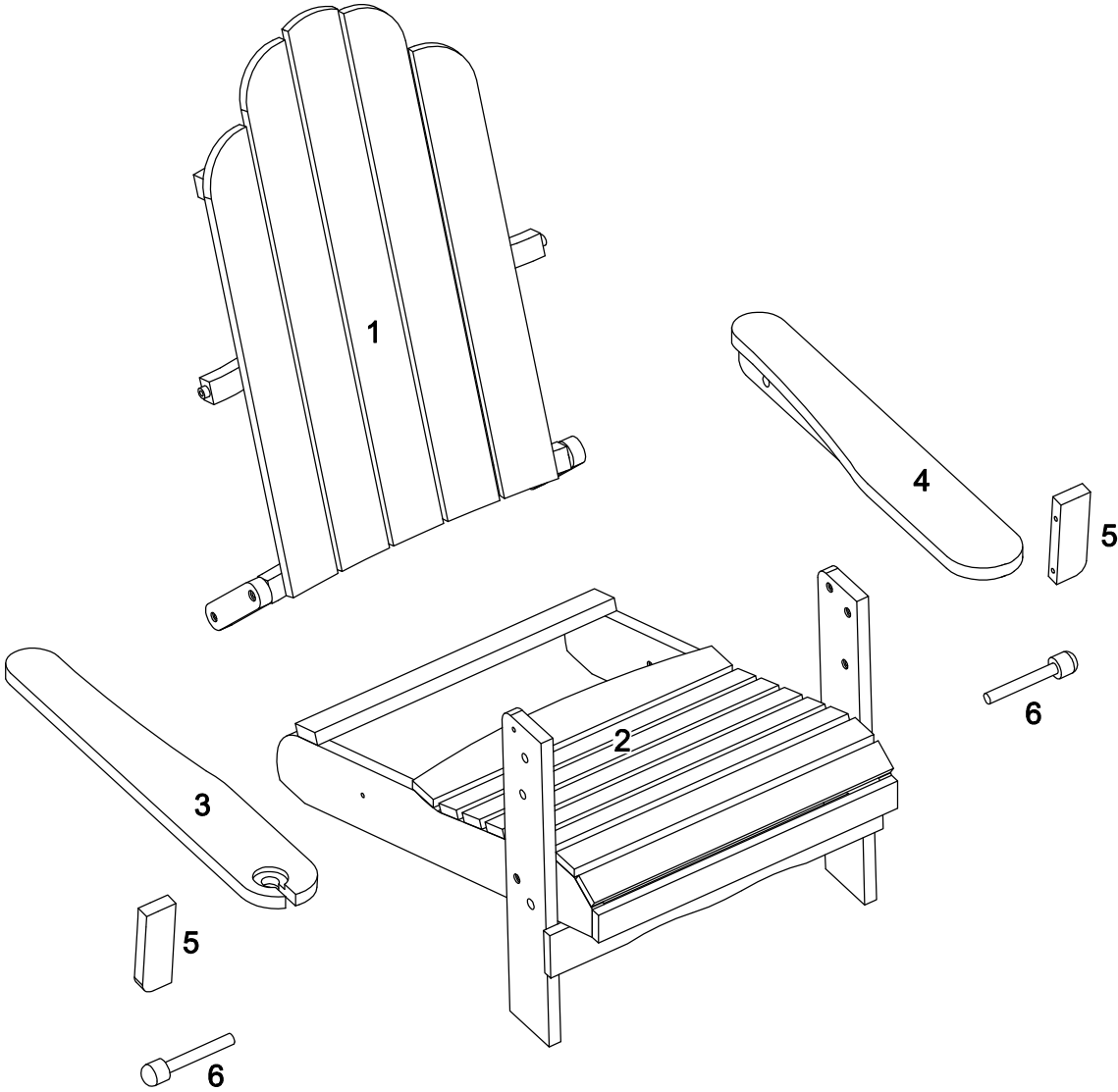


Walker Edison®


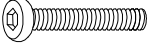




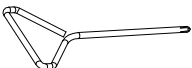

*Please visit our website for the most current instructions, assembly tips, report damage,  
or request parts. [www.walkerediton.com](http://www.walkerediton.com)*

Revised 19/11/2018

# Parts List

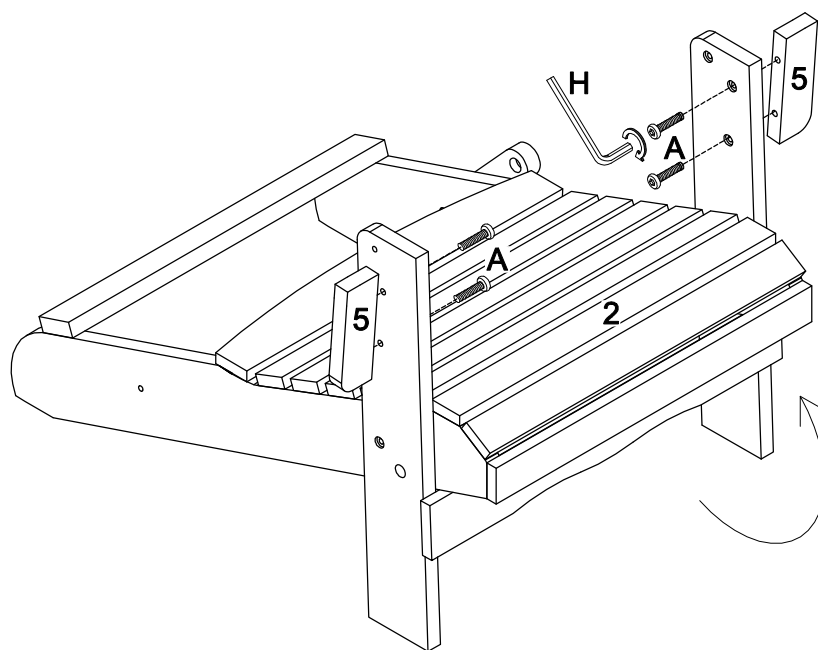


# Hardware List

A		Ø6x30mm	Bolt	8 pcs
B		Ø6x60mm	Bolt	2 pcs
C		Ø6x10mm	Nut	2 pcs
D		Ø16x2mm	Washer	2 pcs
E		Ø6x13mm	Nut	4 pcs
F		Ø6x2mm	Washer	4 pcs
G			Screwdriver	1 pc
H		4mm	Hex Key	2 pcs

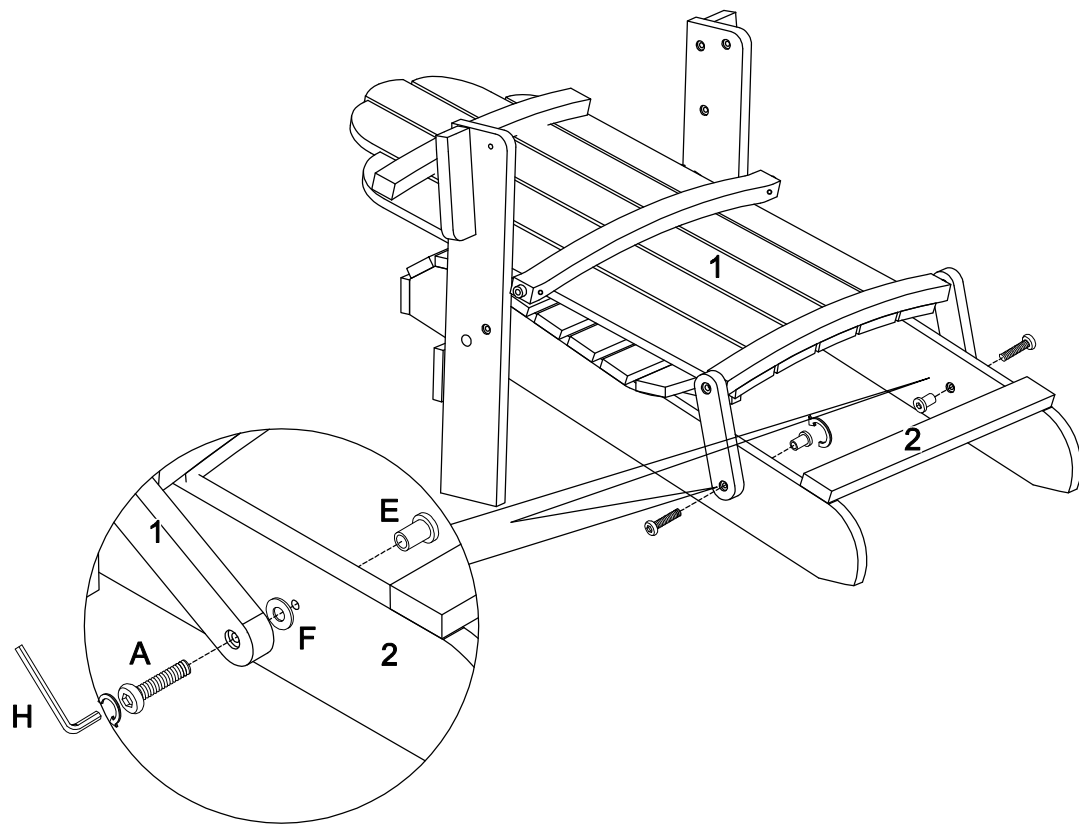
*The hardware quantities listed above are required for proper assembly.  
Some extra hardware may also have been included.*

# Step 1



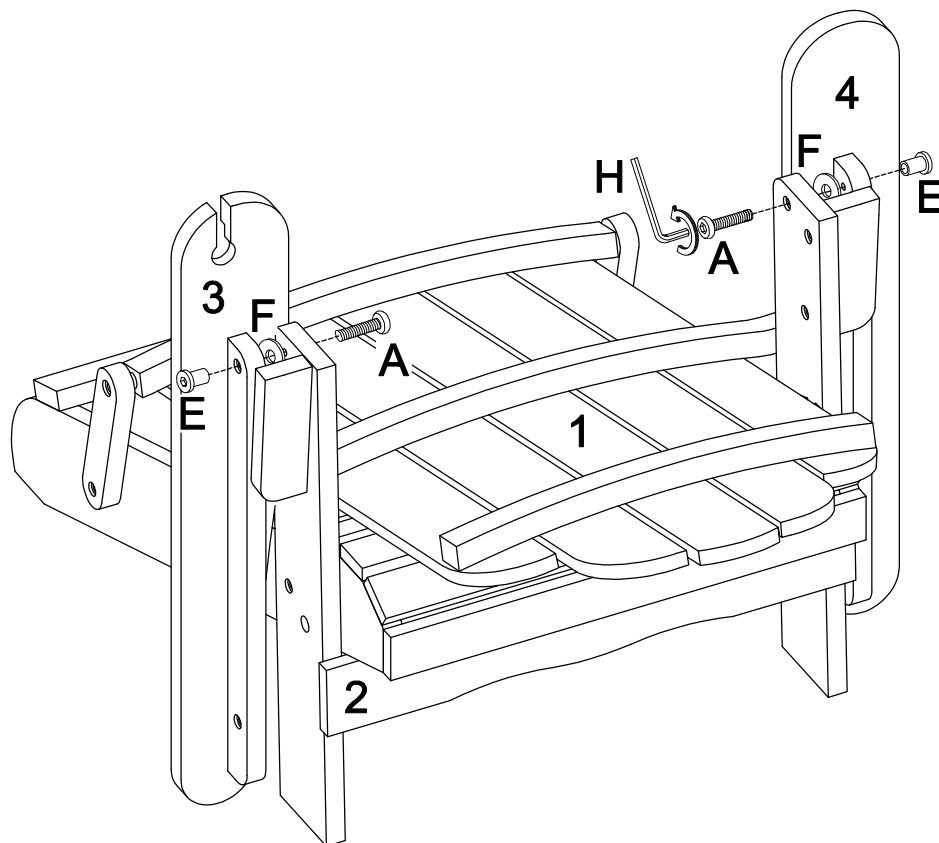
Carefully and slowly pull the chair up in the direction marked, using Bolt (A) , Hex Key (H) to secure part (5) to part (2).

## Step 2



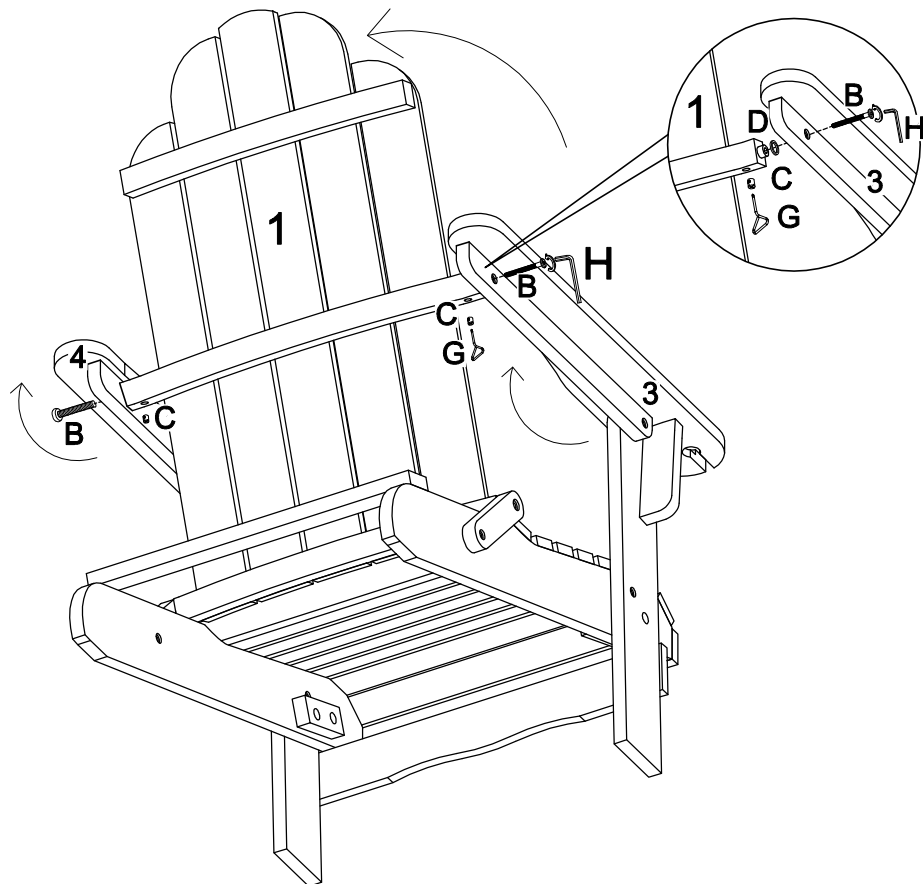
Fold down the chair and then insert nut (E) into the base of part (1). Then secure part (1) to part (2) using Hex Key (H) ,bolt (A), washer (F) and Nut (E).

# Step 3



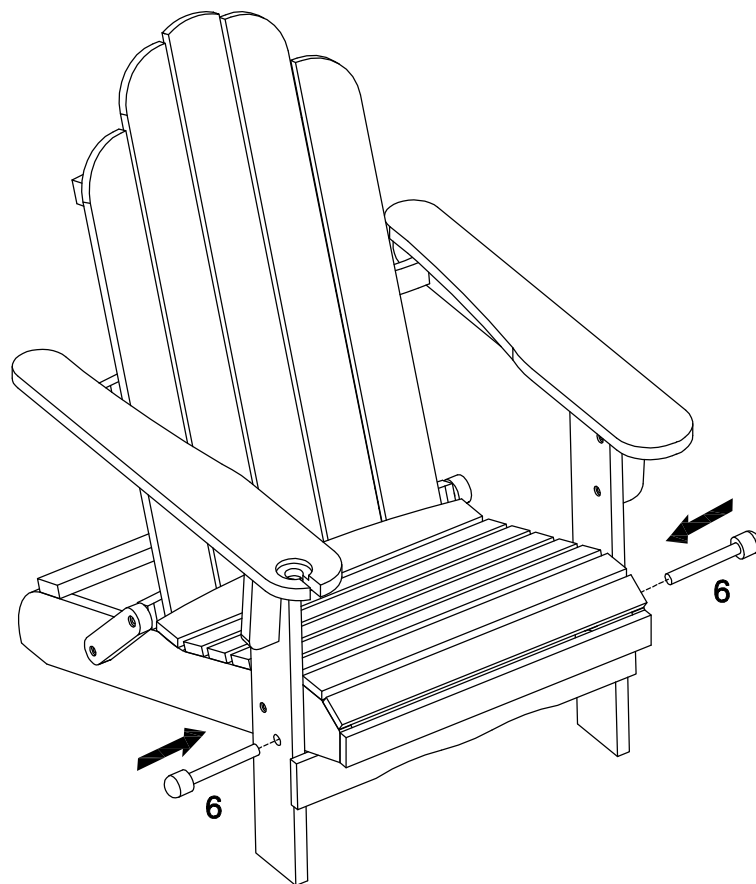
Using Hex Key (H) to secure bolt (A) , nut (E), washer( F ) to part (3,4) .

# Step 4



Open part (1) and then secure part (1) to part (3,4) by using screwdriver (G) ,hex key (H) to secure bolt (B), nut(C), washer (D) .

## Step 5

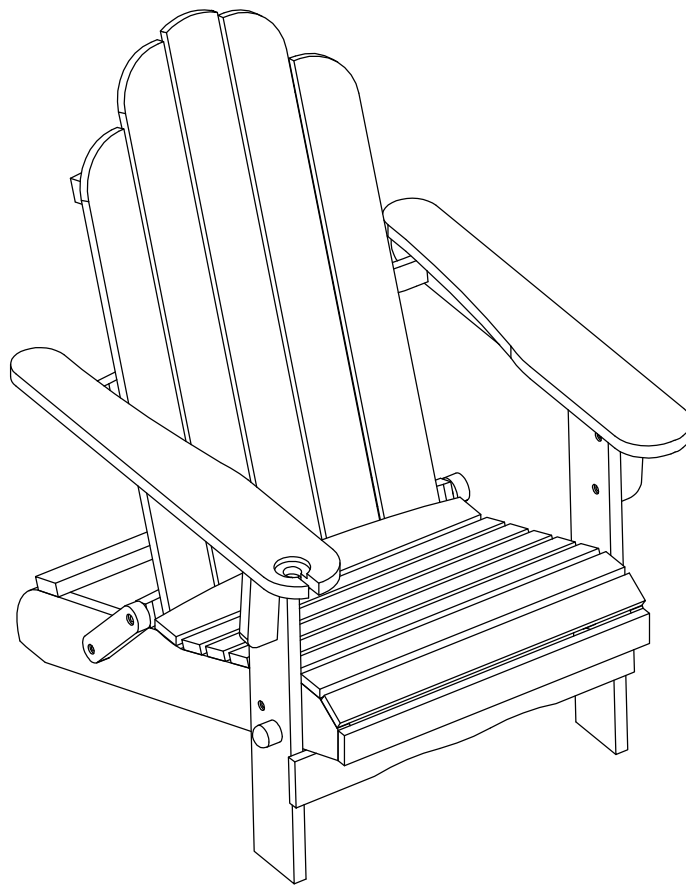


Once Seat is fully pulled into upright position, place the wooden SAFETY PEG( 6) into the required holes.

**IMPORTANT! KEEP SAFETY PEGS IN PLACE WHEN CHAIR IS IN USE.**



## Step 6



**Final Assembly**