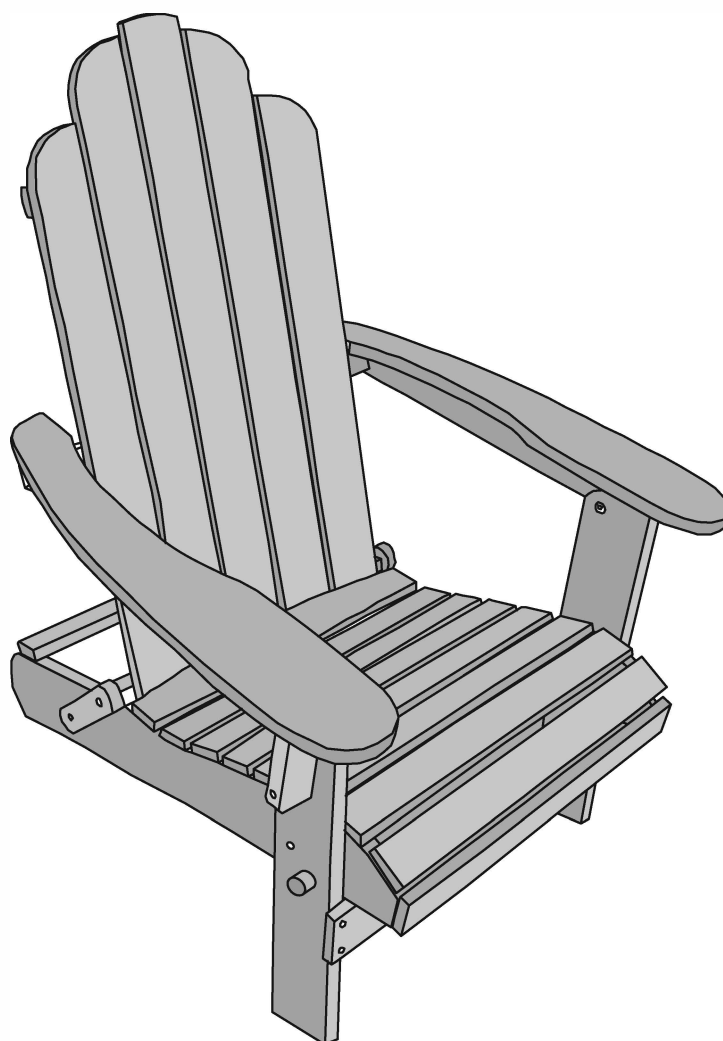


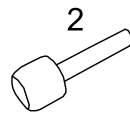
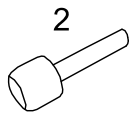
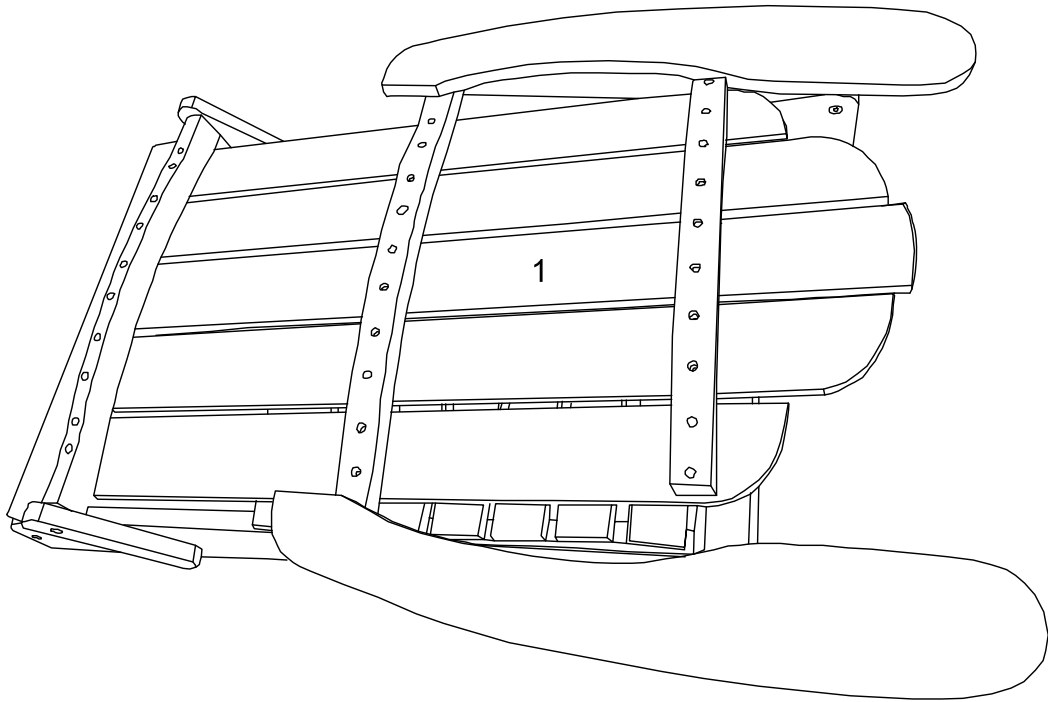
Item # : OWAC  
Assembly Instructions



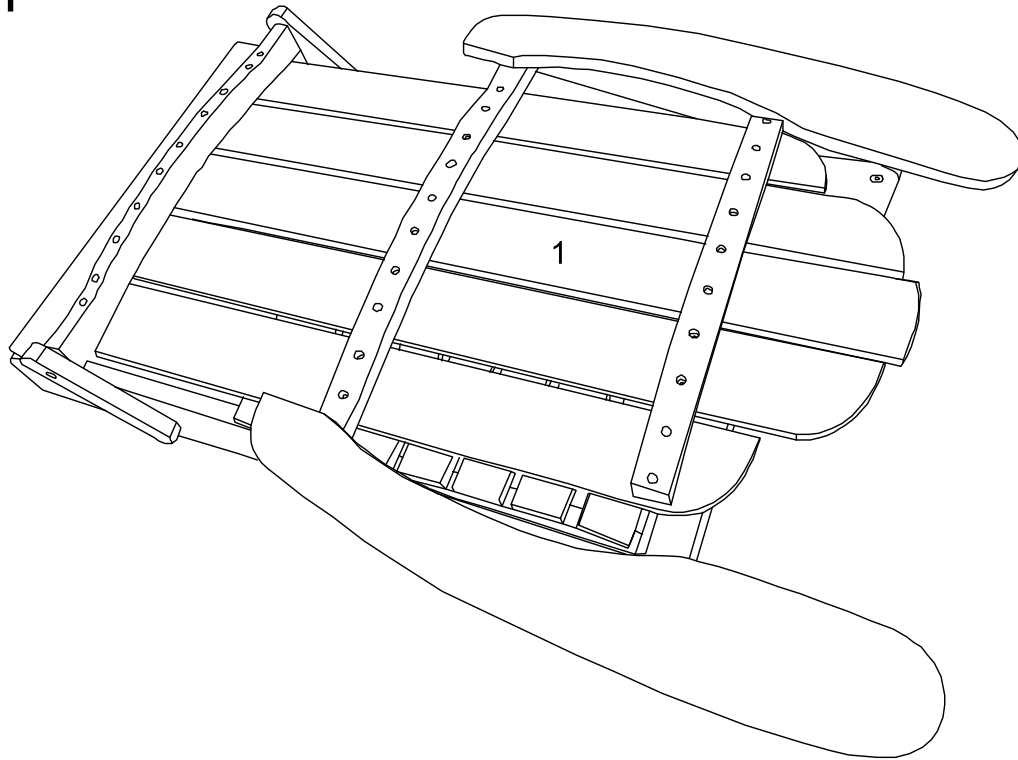
*Please visit our website for the most current instructions, assembly tips, report damage, or request parts. [www.walkeredison.com](http://www.walkeredison.com)*

Revised 03/2017

# Parts List

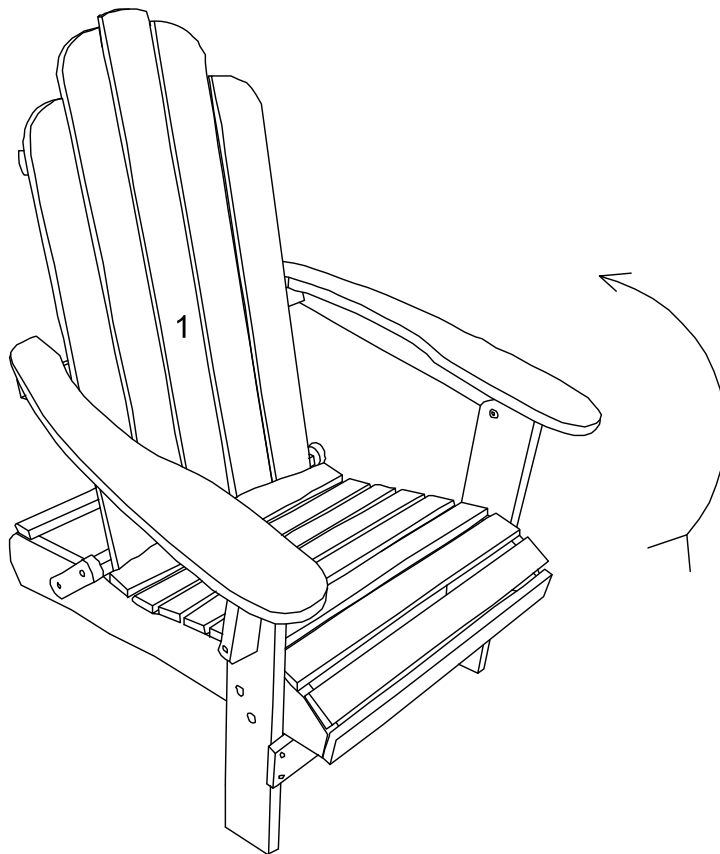


## Step 1



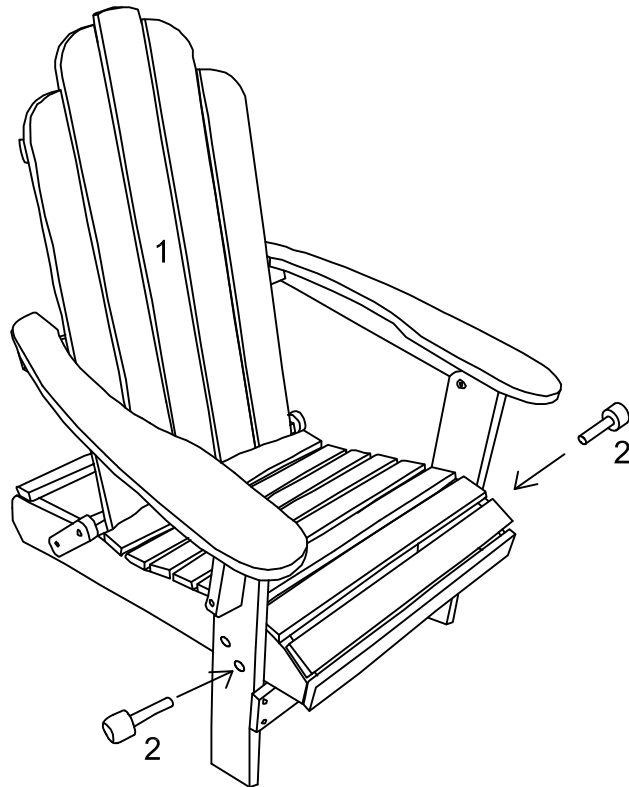
Chair will come already folded. Please carefully take off all the packing materials.

## Step 2



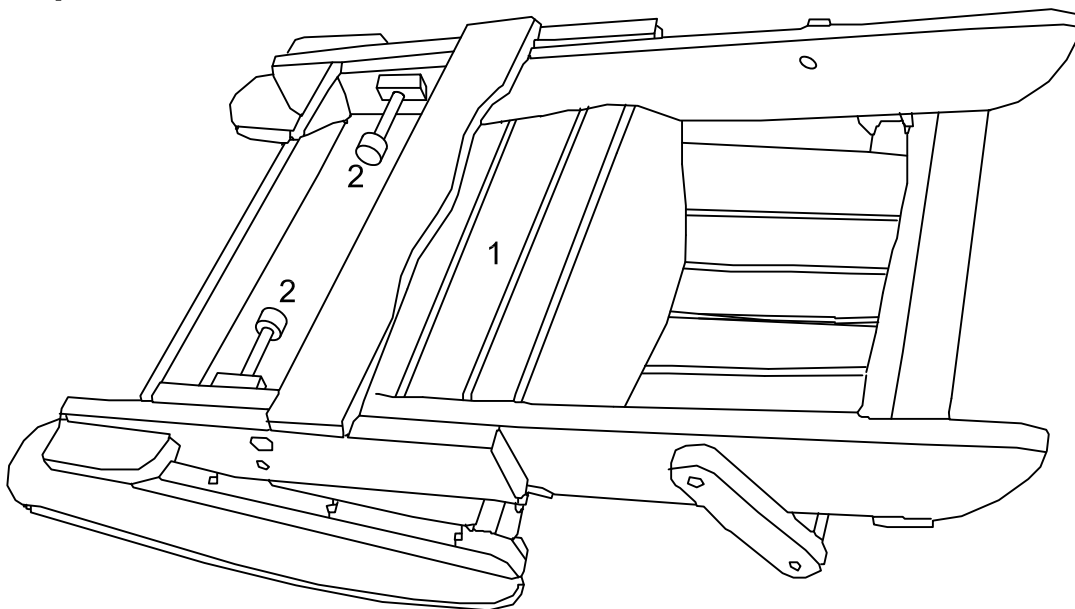
Carefully and slowly pull the chair up in the direction marked, placing your hands on the seat and back area.

## Step 3



Once Seat is fully pulled into upright position, place the wooden SAFETY PEG into the required holes.  
**IMPORTANT! KEEP SAFETY PEGS IN PLACE WHEN CHAIR IS IN USE.**

## Step 4



Chair can be folded for storage. Remove two pegs from front legs, fold chair closed, insert pegs inside of legs (under seat) to help hold chair in closed position.

## Final Assembly