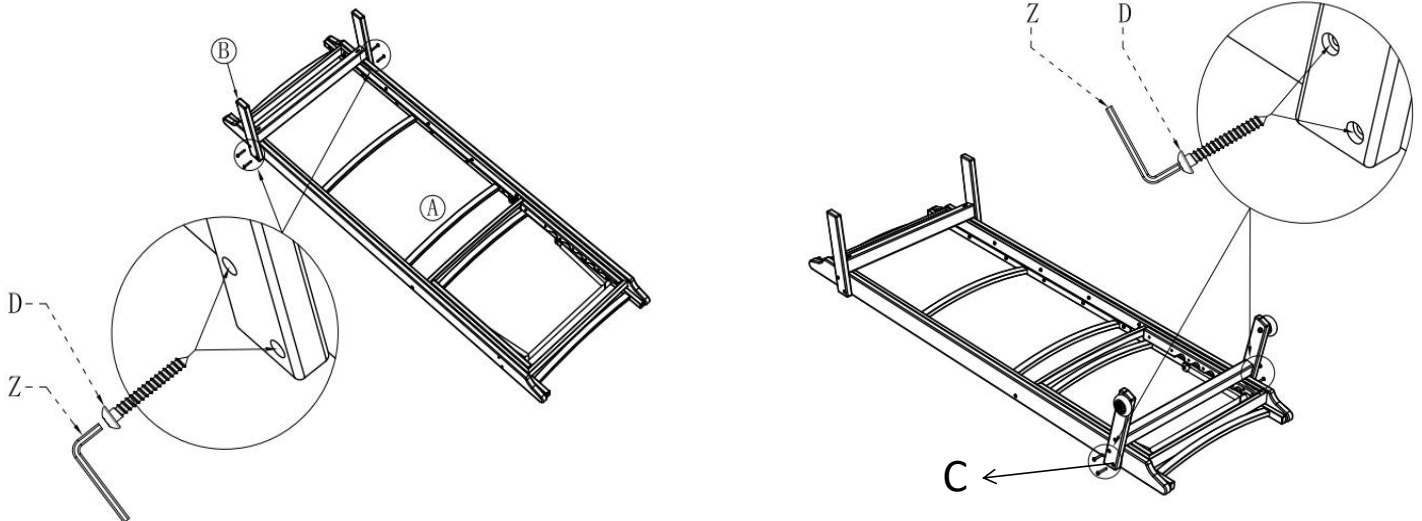


Thanks for purchasing this quality product. Be sure to check all packing materials carefully for small parts, which may have come loose inside the carton during shipment. Identify and count all parts and compare with the Hardware List below

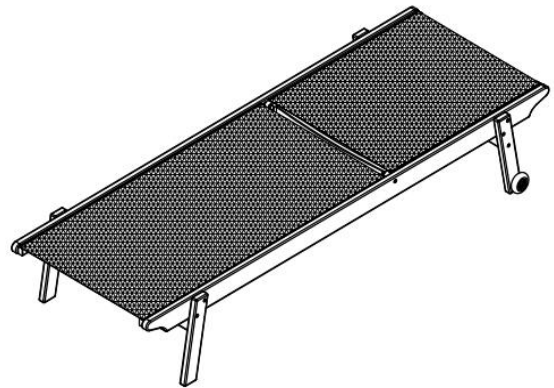
Caution: Loosely pre-assemble all the bolts first. Do not fully turn until all bolts are inserted into the proper holes.

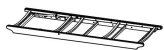




Step 1: Place the Seat (Part A) on a clean, soft surface as a blanket or carpet. Assemble the Front Leg (Part B) to the Seat by Bolt (M6*45) (Part D) and tighten with Allen Key (Part Z). Assemble the Back Leg with Wheel (Part C) to the Seat by Bolt (M6*45) (Part D) and tighten with Allen Key (Part Z).





Step 2: After tightening all bolts, your product is ready for use.


PARTS LIST

NO.:	PIC	DESC	QTY
A		Seat	1pc
B		Front Leg	1pc
C		Back Leg with Wheel	1pc

PARTS LIST

NO.:	PIC	DESC	QTY
D		Bolt(M6*45)	8pcs
Z		Allen Key	1pc

Periodically check and make sure all bolts are fully tightened.