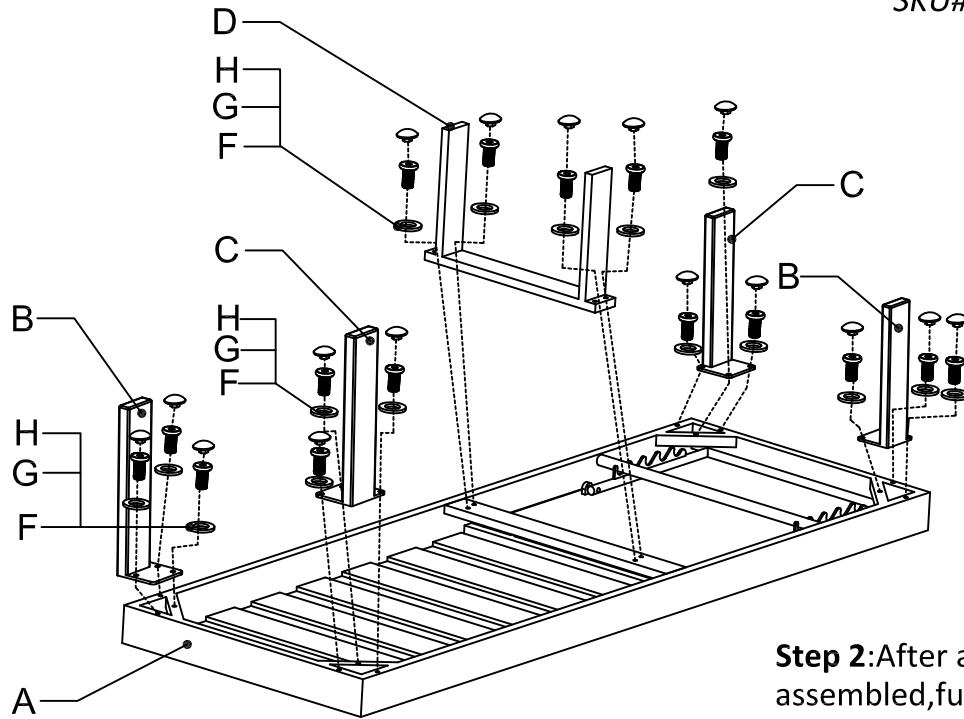
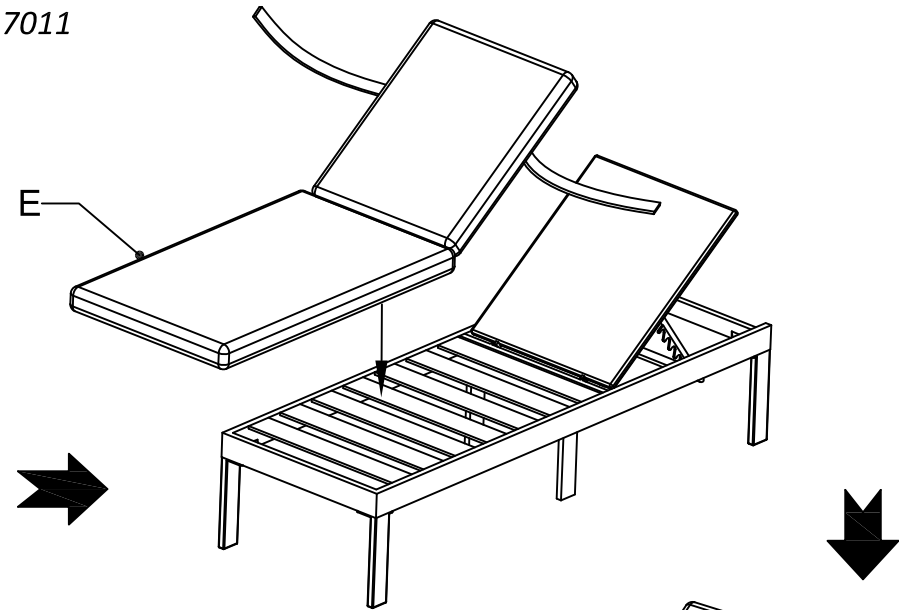


# ASSEMBLY INSTRUCTIONS

SUN VALLEY CHAISE  
SKU#70517011



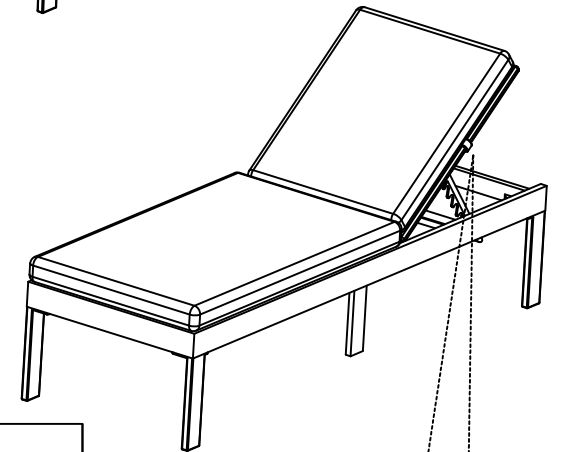
**Step 1:** Place the Seat (Part A) on a clean, soft surface. Assemble the Cross Leg (Part B,C,D) to the Seat by Washer and Screw (Part F and G) and loosely tightening with the Allen Key (Part I).



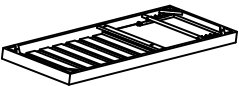
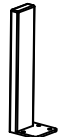
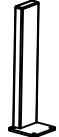
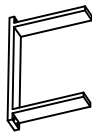
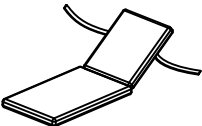

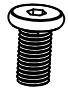


**Step 2:** After all screws have been assembled, fully tighten each one.

**Step 3:** Put the screw covers (H) on to cover the screw heads for a better look.

**Step 4:** Fix Seat cushion (Part E) to the chaise with straps  
Now your product is ready for use.



## PARTS LIST

NO.	A	B	C	D	E	F	G	H	I
DESC	Seat	Legs	Legs	Legs	Seat cushion	Washer	Screw 1/4X22	Screw cover	Allen Key
PIC									
QTY	1pc	2pcs	2pcs	1pc	1pc	16pcs	16pcs	16pcs	1pc

