

Assembly Instructions











Identify all parts packed in the carton against the parts list. Remove all protective materials. Place parts on a non-abrasive surface to avoid scratching.

Do Not Attempt Assembly If Any Parts Are Missing Or Damaged.

Warning: Please do not use acid or alkaline washing liquid to clean the product.

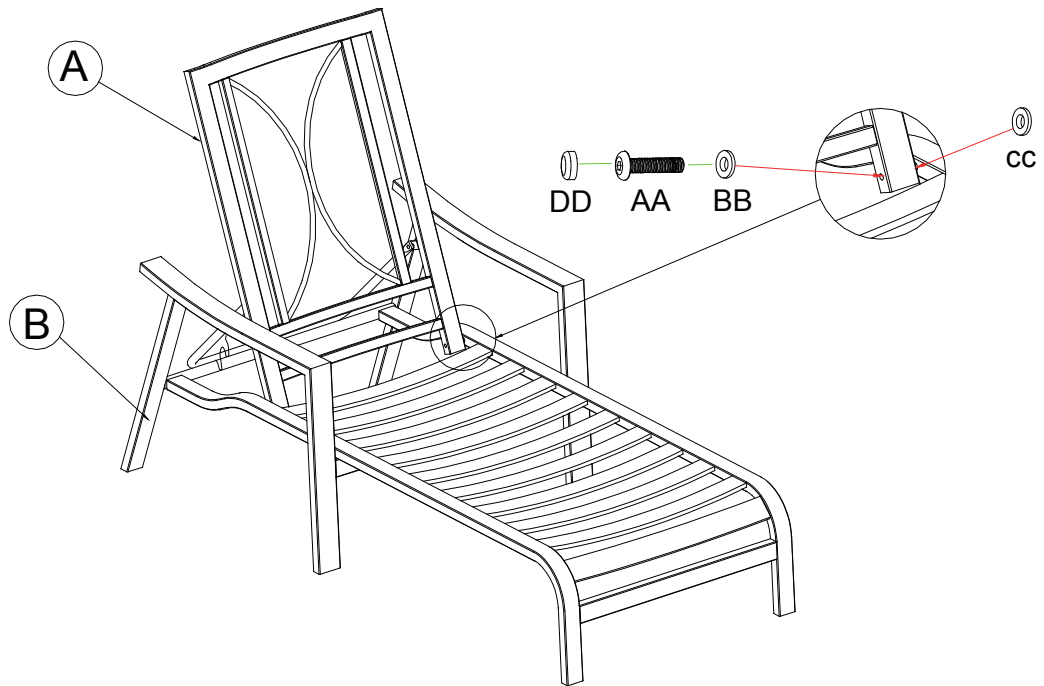
Assemble the product as shown below, step-by-step.

Part List

NO.	SKETCH	DESCRIPTION	QTY	NO.	SKETCH	DESCRIPTION	QTY
A		Back Frame	1	AA		Bolt (M6*60)	2
B		Seat Frame	1	BB		Steel Washer (Φ14*Φ6.5*1.5)	2
C		Seat Cushion	1	CC		Steel Washer (Φ16*Φ7*1.5)	2
D		Back Cushion	1	DD		Bolt cap	2
E		Foot Glider	4	EE		Wrench	1

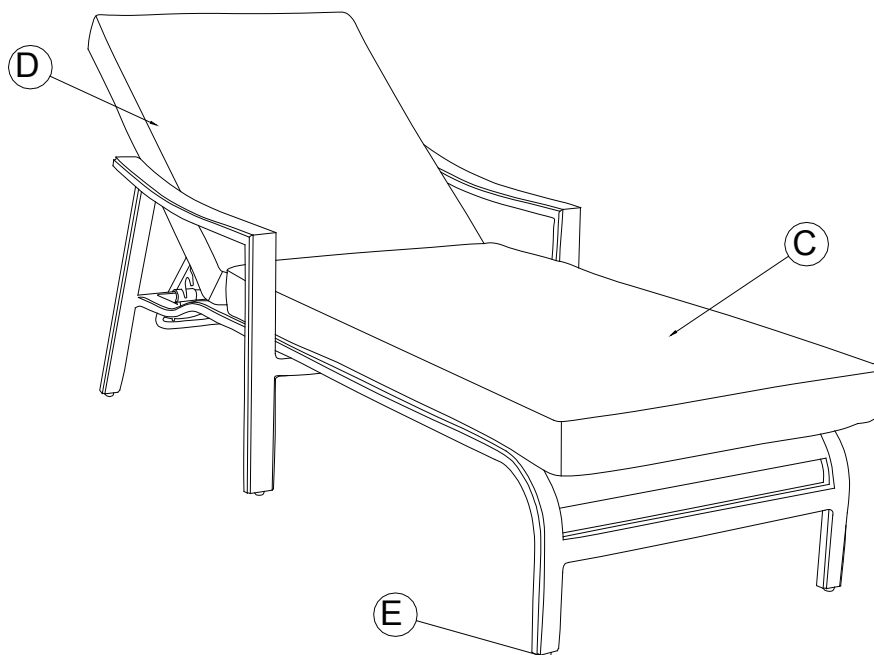
STEP 1

Hand tighten nut 3-4 revolutions only, after attached all the bolts, adjust all the part at correct position, then tighten all the bolts and nuts. Do not over tighten.



STEP 2

Adjust the pre-installed foot glider(E) at the end of each Chaise Lounge leg until the Chaise Lounge is level with the ground Securely, Your Chaise Lounge is ready for use.



***DO NOT OVER TIGHTEN**

***NO SOCKET DRIVERS**



***NO POWER TOOLS**

