

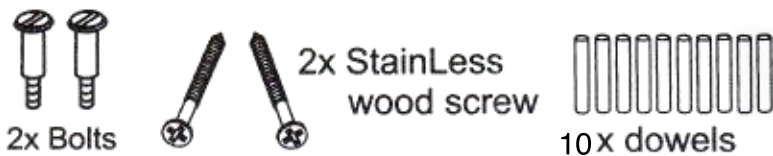
Dear Customer!

“Quantas” Club Chair

Congratulations with the purchase of this Solid Teak-wood Chair!

To assemble this chair, you will need only 1 *Medium Hammer* + 1 *Blade-screwdriver* + 1 *Philips-screwdriver*.

Please unpack the carton and check if you have the following components:

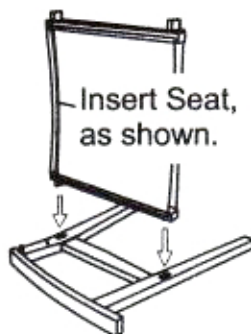


Step 1

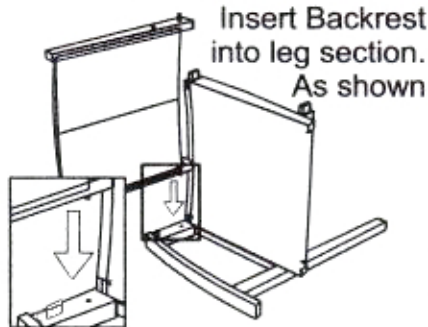
Lay Leg section flat on a level surface.



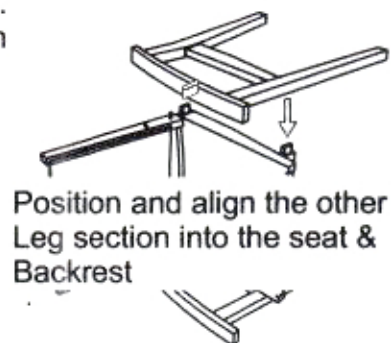
Step 2



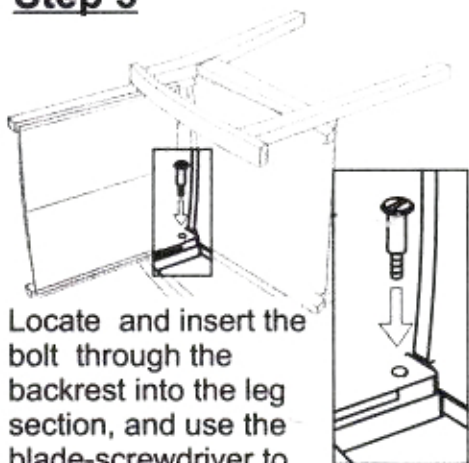
Step 3



Step 4

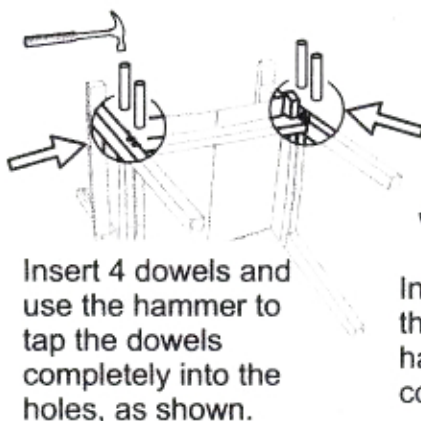


Step 5

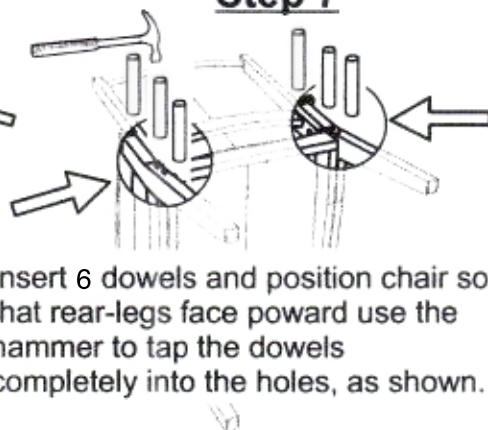


Locate and insert the bolt through the backrest into the leg section, and use the blade-screwdriver to tighten the bolt, as shown. Repeat this step for the other side.

Step 6



Step 7



Step 8

Position chair on 1 side, as shown. Locate and Screw stainless wood screw in the pre-drilled holes UNDER the seat, use Philips screwdriver. Repeat this step for the other side.

