












SUNNY SYPR

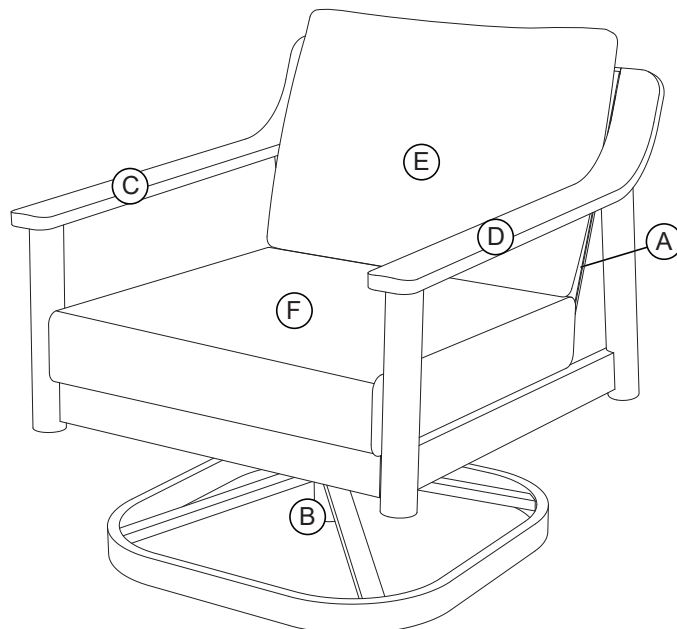
Manufactured for Rooms To Go

LOGEN SWIVEL ROCKER

SKU:71500308

No.	PARTS LIST		QTY
A	BACK PANEL		1
B	CHAIR BASE		1
C	RIGHT CHAIR ARM		1
D	LEFT CHAIR ARM		1
E	BACK CUSHION		1
F	SEAT CUSHION		1

No.	HARDWARE PACK		QTY
AA		BOLT 1/4" -38x 40mm	8
BB		BOLT 1/4" -53x 55mm	2
CC		WASHER 1/4"	10
DD		CAP 1/4"	10
EE		ALLEN KEY	1



Hardware Pack Location(s): Bottom of the seat panel.

SUNNY SYPR

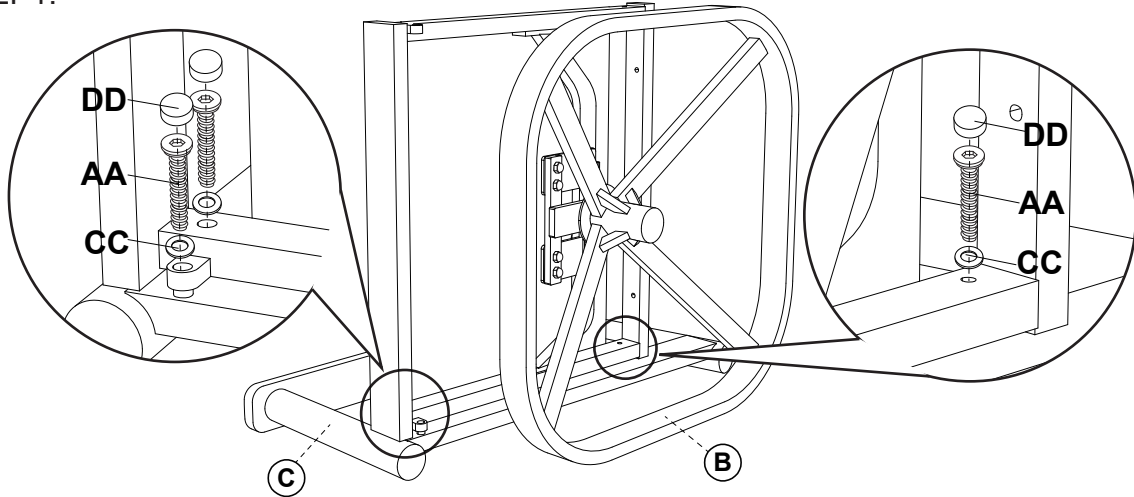
Manufactured for Rooms To Go

LOGEN SWIVEL ROCKER

SKU:71500308

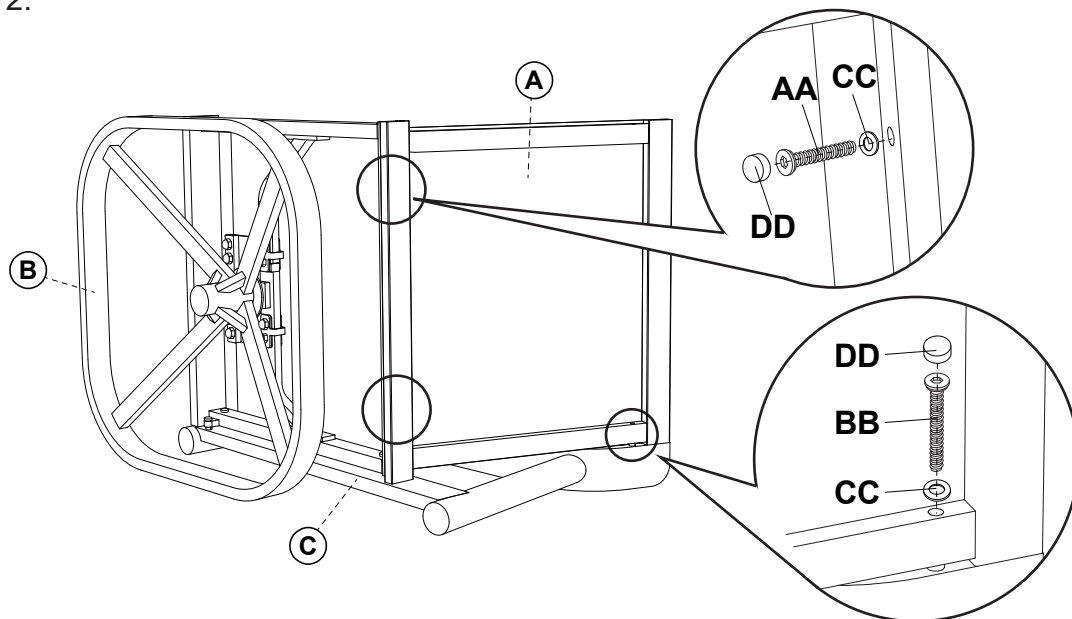
***Caution: Please read this instruction carefully before starting the assembly process, make sure all parts are present. Do not completely fasten each screw until all the bolts are properly fixed. These parts are cumbersome and heavy, 2 person assembly is recommended in order to prevent personal injury and parts damage.

STEP1:



Attach the right chair arm (C) to the chair base (B) with bolts and washers.

STEP2:



Attach the back panel (A) to the chair base (B) and right chair arm (C) with bolts and washers.

SUNNY SYPR

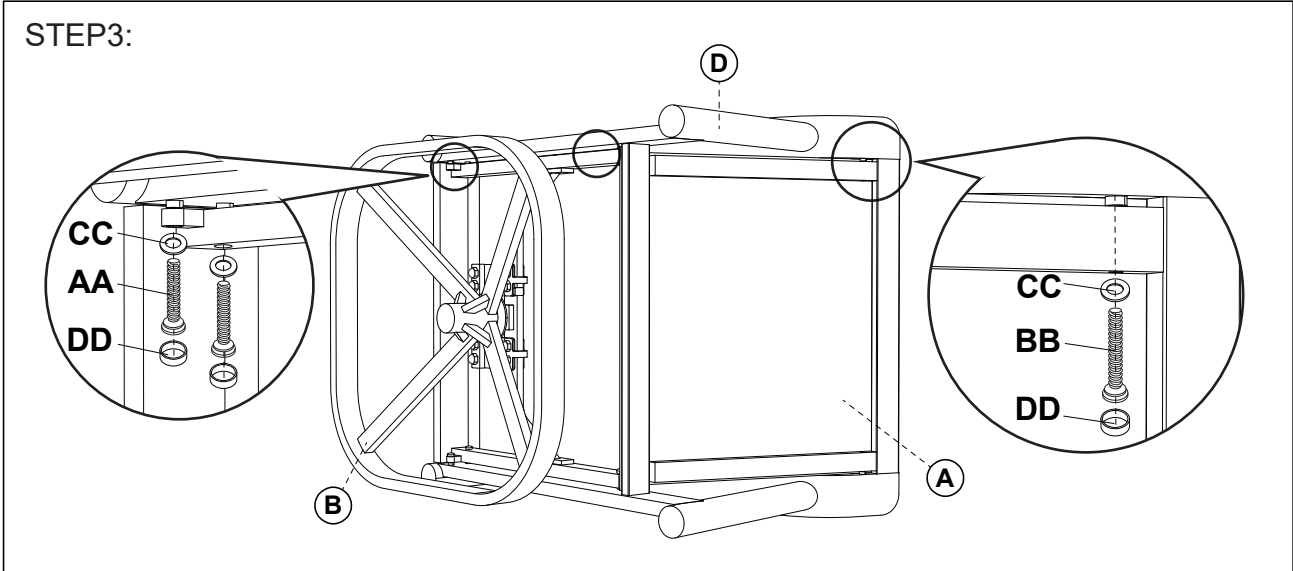
Manufactured for Rooms To Go

LOGEN SWIVEL ROCKER

SKU:71500308

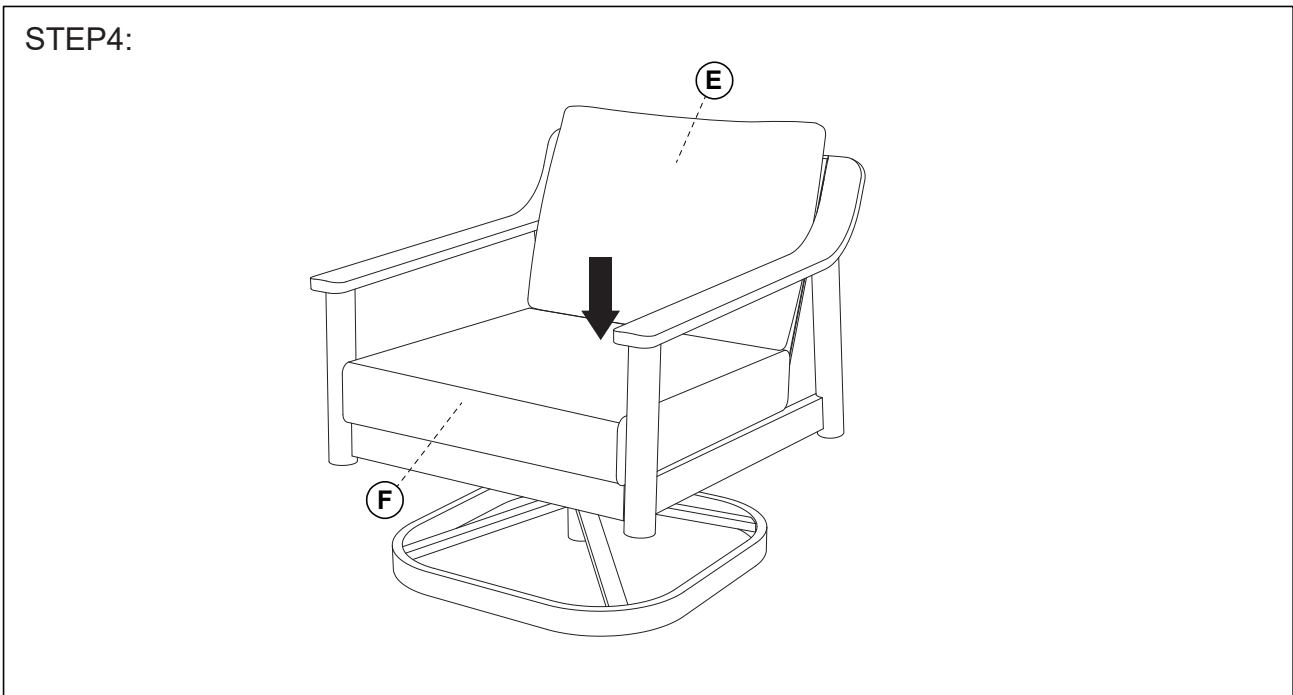
***Caution: Please read this instruction carefully before starting the assembly process, make sure all parts are present. Do not completely fasten each screw until all the bolts are properly fixed. These parts are cumbersome and heavy, 2 person assembly is recommended in order to prevent personal injury and parts damage.

STEP3:



Attach the left chair arm (D) to the chair base (B) and back panel (A) with bolts and washers.

STEP4:



Attach the back (E) and seat (F) cushion to the chair, assembly complete.

SUNNY SYPR

Manufactured for Rooms To Go

LOGEN SWIVEL ROCKER

SKU:71500308

IMPORTANT SAFETY INSTRUCTIONS

When using furnishing, basic precautions should always be followed, including the following:
Read all instructions before using (this furnishing).

To reduce the risk of injury to persons:

1. Close supervision is necessary when this furnishing is used by, or near children, or disabled persons, if applicable.
2. Use this furnishing only for its intended use as described in these instructions. Do not use attachments not recommended by the manufacturer.