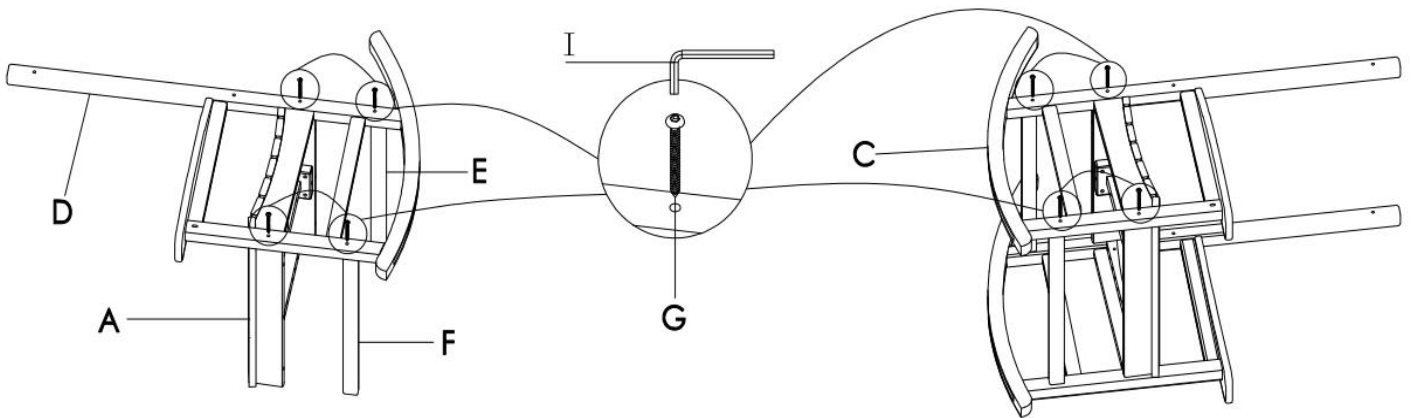


Thanks for purchasing this quality product. Be sure to check all packing materials carefully for small parts, which may have come loose inside the carton during shipment. Identify and count all parts and compare with the Hardware List below

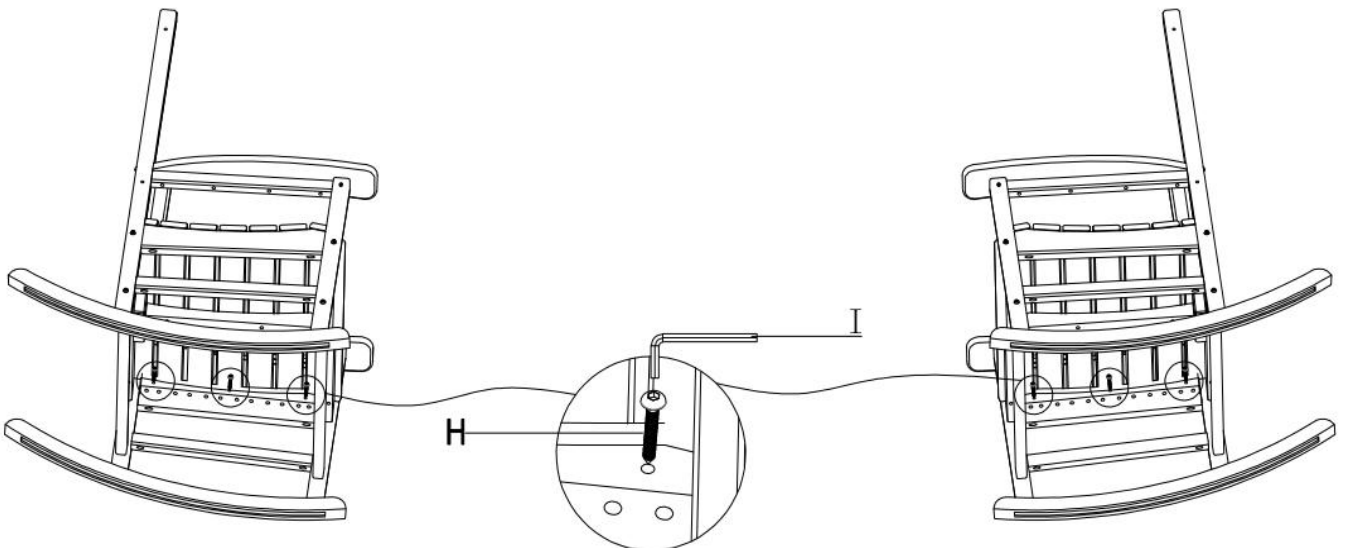
**Caution: Loosely pre-assemble all the bolts first. Do not fully turn until all bolts are inserted into the proper holes.**



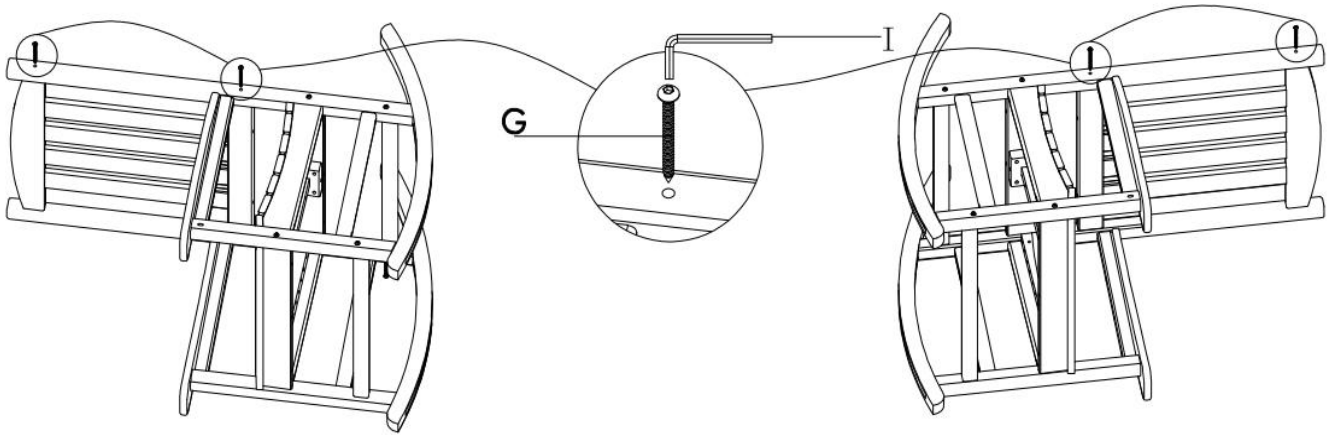
Step 1: Place Seat (Part A) on a clean, soft surface as a blanket or carpet. Assemble Left Leg with Armrest (Part D) to the Seat by Bolt (Part G) and tighten with Allen key (Part I). Assemble Right Leg with Armrest (Part C) to the Seat (Part A) by Bolt (Part G) and tighten with Allen key (Part I).



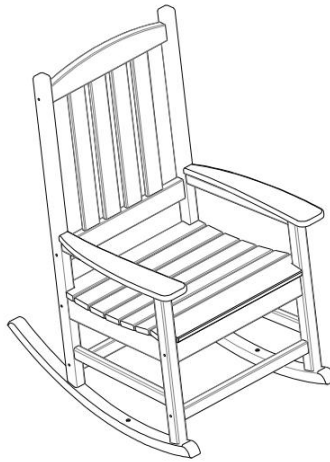
Step 2: Put the Bolt (Part H) into the holes on the side of Seat (Part A), and tighten with Allen key (Part I).








Step 3: Assemble Seat(Part B) to the Back leg by Bolt(Part G) and tighten with Allen key (Part I).







Step 4: After tightening all bolts, your product is ready for use.



PARTS LIST

NO.:	PIC	DESC	QTY
A		Seat	1pc
B		Back	1pc
C		Right Armrest with Leg	1pc
D		Left Armrest with Leg	1pc
E		Back Bar	1pc

PARTS LIST

NO.:	PIC	DESC	QTY
F		Front Bar	1pc
G		Bolt(M6*65)	12pcs
H		Bolt(M6*50)	6pcs
I		Allen key	1pc

Periodically check and make sure all bolts are fully tightened.