


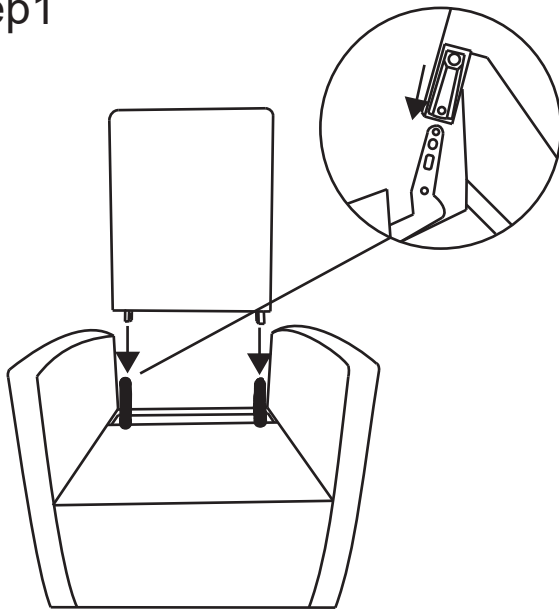


ASSEMBLY INSTRUCTION SHEET

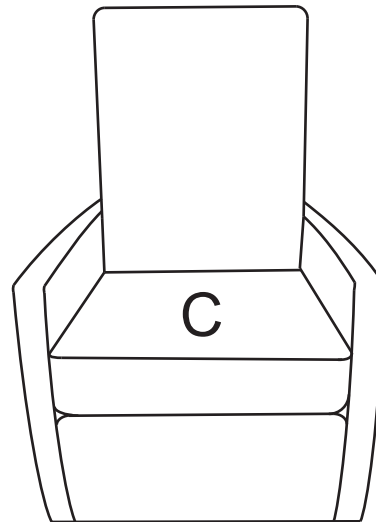
ICEE 23C009A-W-SV RIA SWIVEL GLIDER RECLINER SKU NO: 71612216 & 71612228& 71612230

Parts list			
No.	DESCRIPTION	PICTURE	Qty
A	BACK		1
B	SEAT		1
C	CUSHION		1

Step1



Step2

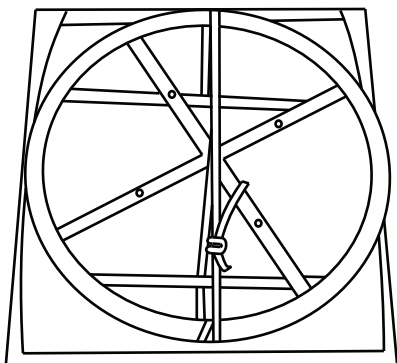



Assembly Steps:

Step 1: Please lay the base flat (B) Insert back (A) into base (B).

You have inserted it all the way.If you experience difficulty,insert the shaft into the bushing portion by using a twisting motion as you insert.

Step 2: Putting the cushion (C) on it.



 The bottom turntable is fixed with straps please remove them before use.
Then the chair is now ready for use.