

MLV

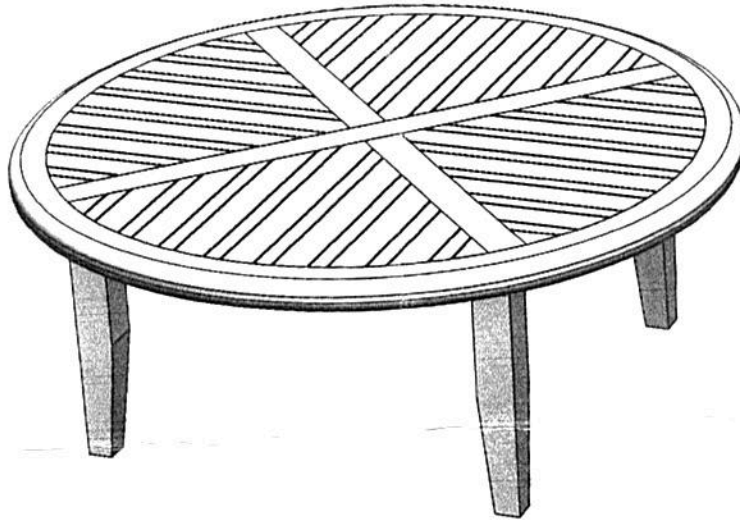
ASSEMBLY INSTRUCTION

HAGEN CHAT TABLE 7490551

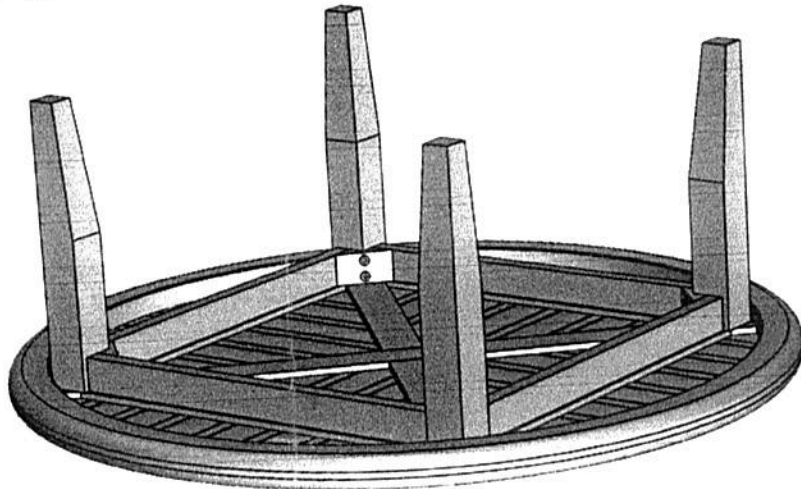
Important:

- Place all parts on a flat, clean and smooth surface to avoid them of being scratched.
- Kindly follow the Assembly Instruction step by step carefully.
- Do not tighten up the bolts or nuts until the table is fully set.

FULLY SET UP



PARTS OF THE TABLE

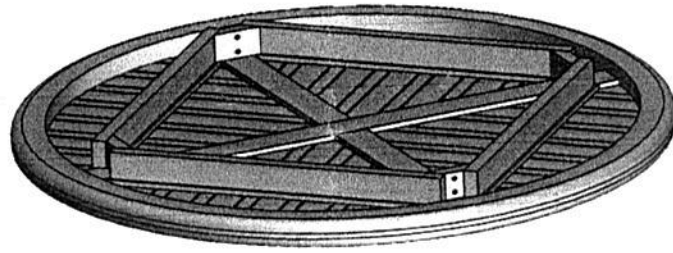


8X

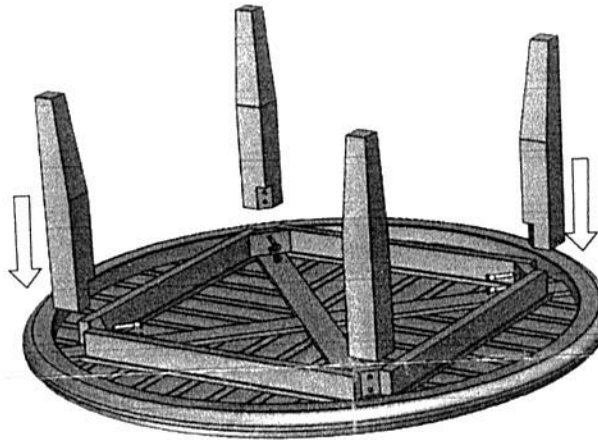


Bolt

STEP 1



STEP 2



STEP 3

