

**IMPORTANT!! PLEASE READ ENTIRE INSTRUCTION SHEET BEFORE ASSEMBLY!!  
 TO EXPEDITE ANY FUTURE WARRANTY CLAIMS, PLEASE KEEP INSTRUCTION SHEET AND RECEIPT**

\* NOTE: PARTS SHOWN ON PARTS LIST ARE NOT TO SCALE

**Step 1:** Remove all protective materials and set parts on a flat, non-abrasive surface. Identify parts packed in carton against the parts list. If you are missing any parts or are unsure how to proceed with assembly, please call your local casual classics dealer. **Do not attempt assembly if any parts are missing or damaged.**

**Step 2:** Attach a leg to the leg connector bracket by using a 1/4"x20 mm bolt and Ø6.5x1.0 mm washer as shown in *Figure 1*. Guide the bolt through the hole in the leg connector bracket, into the pre-drilled hole in the leg. **Hand tighten only 2-3 turns.** Repeat for the other leg.

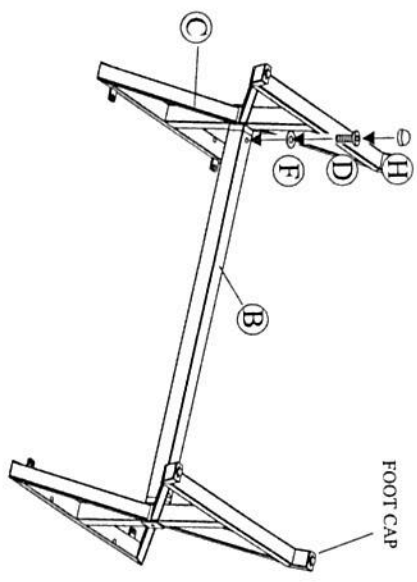


Figure 1

**Step 3:** Place the table top upside down on a flat, non-abrasive surface. Attach a table leg to the table top by using two 1/4"x20 mm bolt, two 1/4"x30 mm bolts, and four Ø20xØ6.5x2.0 mm washers as shown in *Figure 2*. Guide the bolts through the holes in the table leg into the pre-drilled holes in the table top. **Hand tighten only 2-3 turns.** Repeat for the other leg.

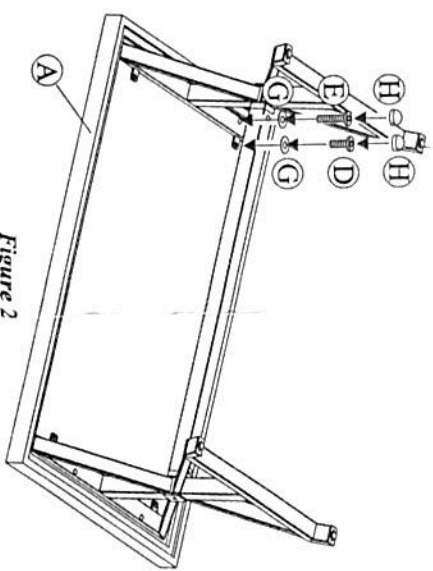


Figure 2

**Step 4:** After making any necessary adjustments to the alignment of the table base and table top, use the hex bolt driver to tighten all bolts. **Note:** each bolt must be tightened a few revolutions at a time. In order to apply equal pressure to all bolt joints, we recommend working in a cross corner (X fashion). Repeat until all bolts are tight. **Do not over tighten.** Over tightening may strip bolts. Cover all bolts with covers.

**Step 5:** Your table is now ready for use. If you have any questions, please call your local casual classics dealer.

**IMPORTANT NOTE:** Damage to welds or frames resulting from over tightened bolts or improper assembly is not covered under our warranty. Please read all instructions carefully before assembly. If you have any questions regarding your assembly, please call your local casual classics dealer.

PARTS LIST	DESCRIPTION	ORDER PART #
A	TABLE TOP	AT52899
B	LEG CONNECTOR BRACKET	AT52900
C	TABLE LEG	AT52901
D	1/4" X 20 MM BOLT	HW00036
E	1/4" X 30 MM BOLT	HW00038
F	Ø6.5 X 1.0 MM WASHER	HW00004
G	Ø20 X Ø6.5 X 2.0 MM WASHER	HW00594
H	BOLT COVER	HW0105
I	HEX BOLT DRIVER	HW00006
	FOOT CAP FACTORY ASSEMBLY	FC00607