
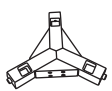




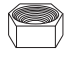




Thanks for purchasing this quality product. Be sure to check all packing materials carefully for small parts, which may have come loose inside the carton during shipment. Identify and count all parts and compare with the Hardware List below

PARTS LIST
PARTS LIST

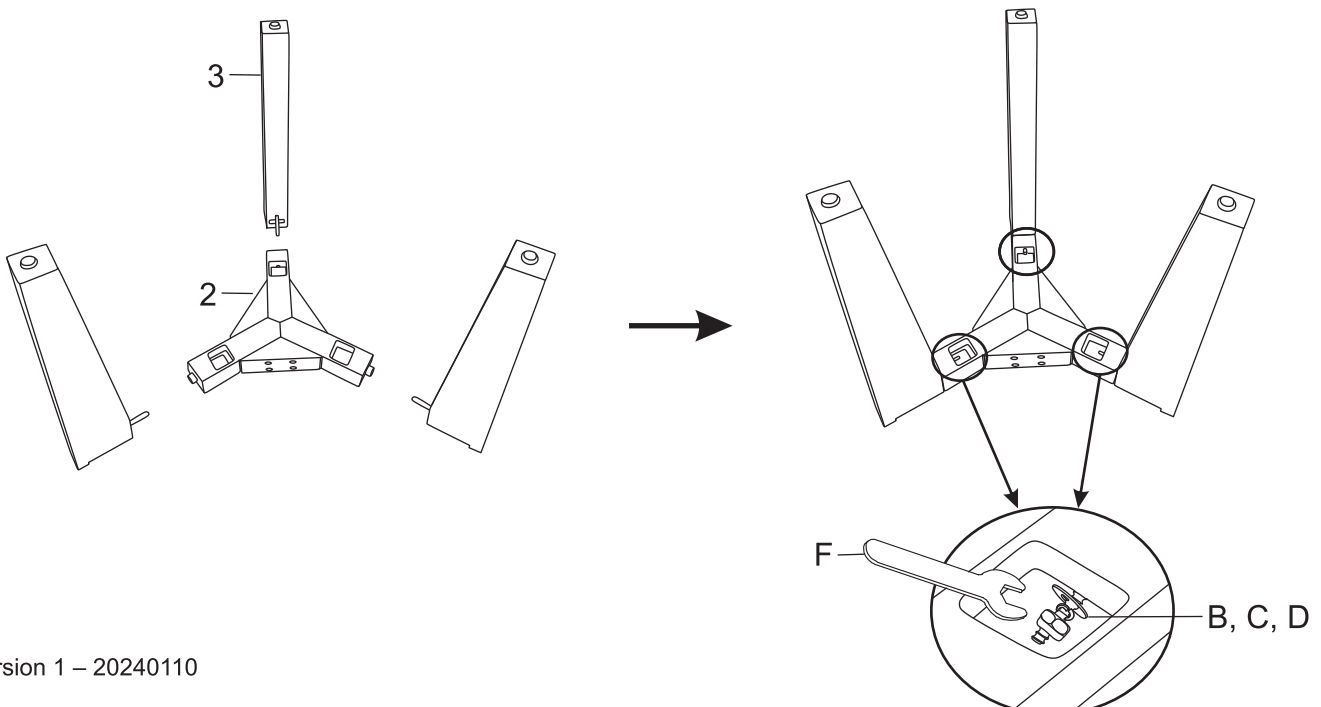
NO.:	PIC	DESC	QTY
1		Table Top (Small)	1pc
2		Base part	1pc
3		Leg part	3pcs
A		Screw M6x70	3pcs

NO.:	PIC	DESC	QTY
B		Washer M8	3pcs
C		Spring Washer M8	3pcs
D		Nut M8	3pcs
E		Allen Key	1pc
F		Wrench	1pc

Step 1: Place the Base part (Part 2) on the clean, soft surface as a blanket or carpet. Assemble the Legs part (Part 3) to the Base part.

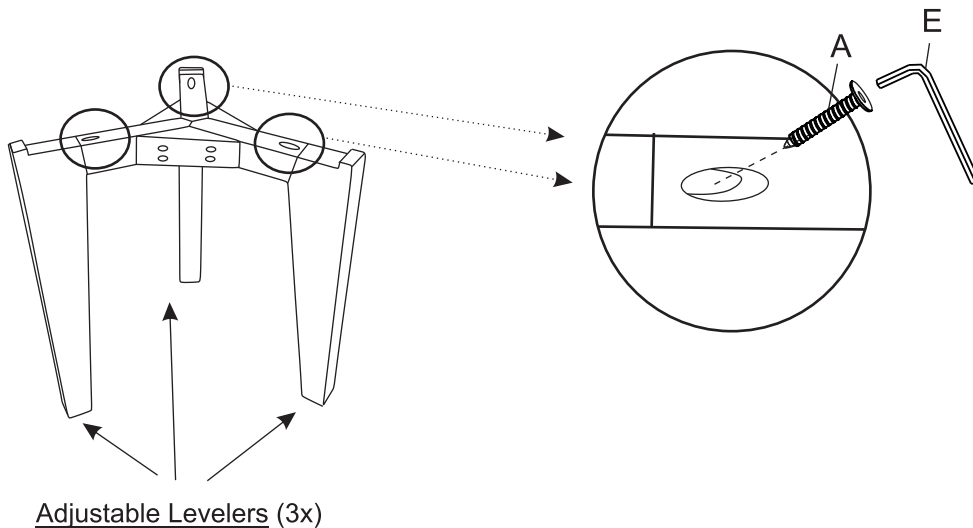
Step 2: Insert Washer M8 (B), Spring Washer M8 (C), Nut M8 (D) and tighten by Wrench (F). Loosely tighten each about 5-6 full turns and ensure each of the 3 bolts fit well.

Once all 3 are inserted and loosely tightened, proceed to fully tighten each bolt.

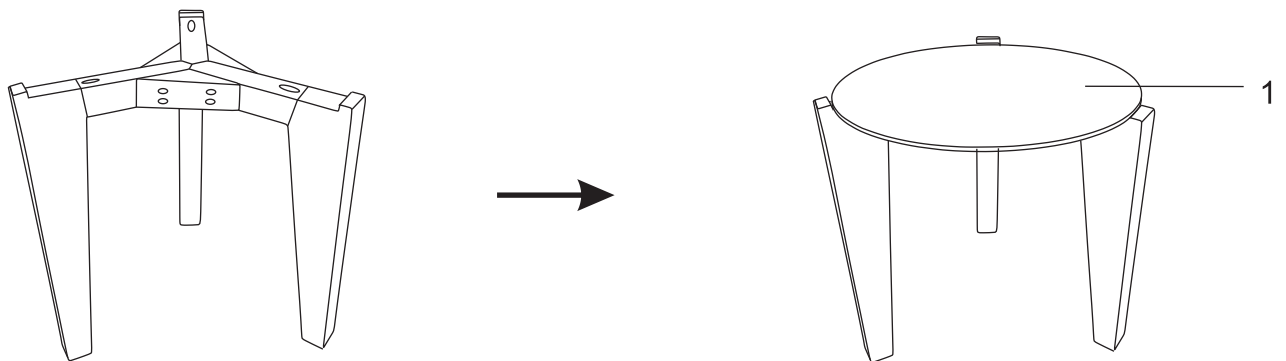


Thanks for purchasing this quality product. Be sure to check all packing materials carefully for small parts, which may have come loose inside the carton during shipment. Identify and count all parts and compare with the Hardware List below

Step 3: Continue insert Screws M6 (A) and tighten by Allen key (E) for Legs.



Step 4: After assembling, put the Table Top (Small) (Part 1) on wooden part and your product is ready to use.







Assembly Completed

Periodically check and make sure all bolts are fully tightened.






Version 1 – 20240110

Thanks for purchasing this quality product. Be sure to check all packing materials carefully for small parts, which may have come loose inside the carton during shipment. Identify and count all parts and compare with the Hardware List below

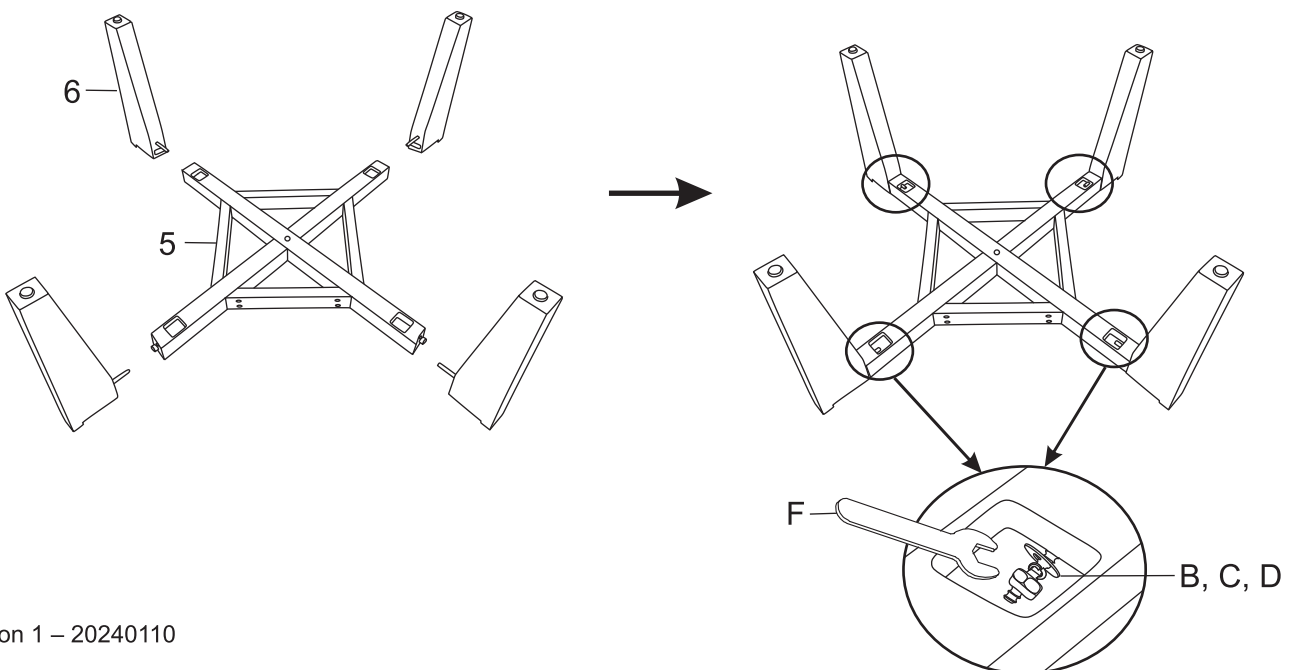
PARTS LIST

NO.:	PIC	DESC	QTY
4		Table Top (Large)	1pc
5		Base part	1pc
6		Leg part	4pcs
A		Screw M6x70	4pcs

PARTS LIST

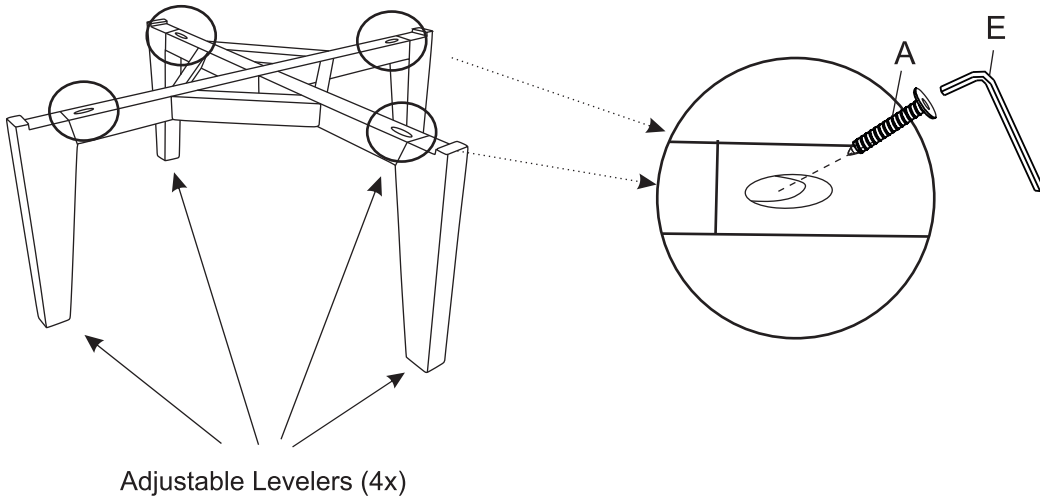
NO.:	PIC	DESC	QTY
B		Washer M8	4pcs
C		Spring Washer M8	4pcs
D		Nut M8	4pcs
E		Allen Key	1pc
F		Wrench	1pc

- Step 1: Place the Base part (Part 5) on the clean, soft surface as a blanket or carpet. Assemble the Legs part (Part 6) to the Base part.
- Step 2: Insert Washer M8 (B), Spring washer M8 (C), Nut M8 (D) and tighten by Wrench (F). Loosely tighten each about 5-6 full turns and ensure each of the 4 bolts fit well. Once all 4 are inserted and loosely tightened, proceed to fully tighten each bolt.

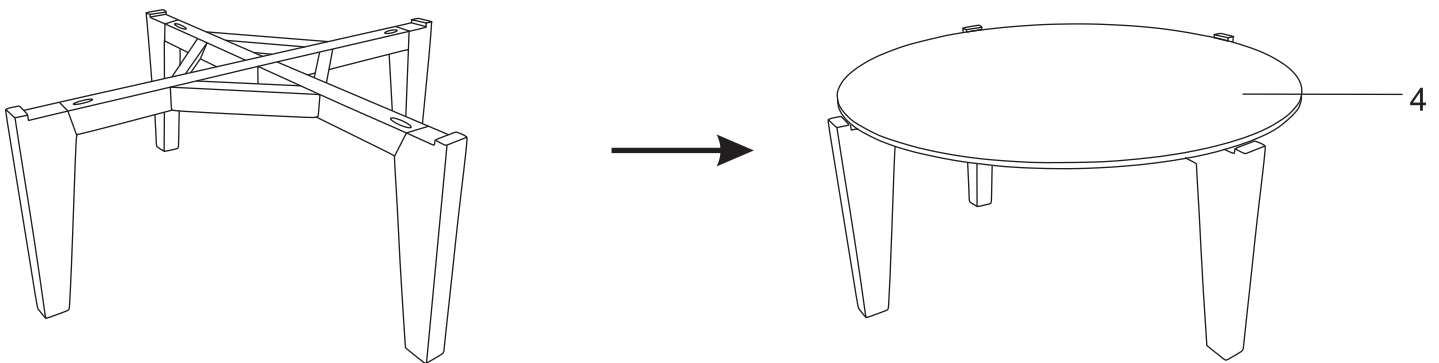


Thanks for purchasing this quality product. Be sure to check all packing materials carefully for small parts, which may have come loose inside the carton during shipment. Identify and count all parts and compare with the Hardware List below

Step 3: Continue insert Screws M6 (A) and tighten by Allen key (E) for Legs.



Step 4: After assembling, put the Table Top (Large) (Part 4) on wooden part and your product is ready to use.



Assembly Completed

Periodically check and make sure all bolts are fully tightened.

Version 1 – 20240110