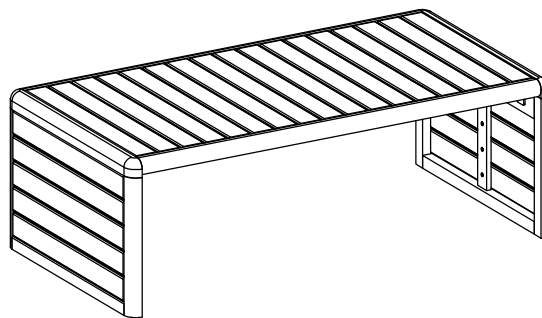


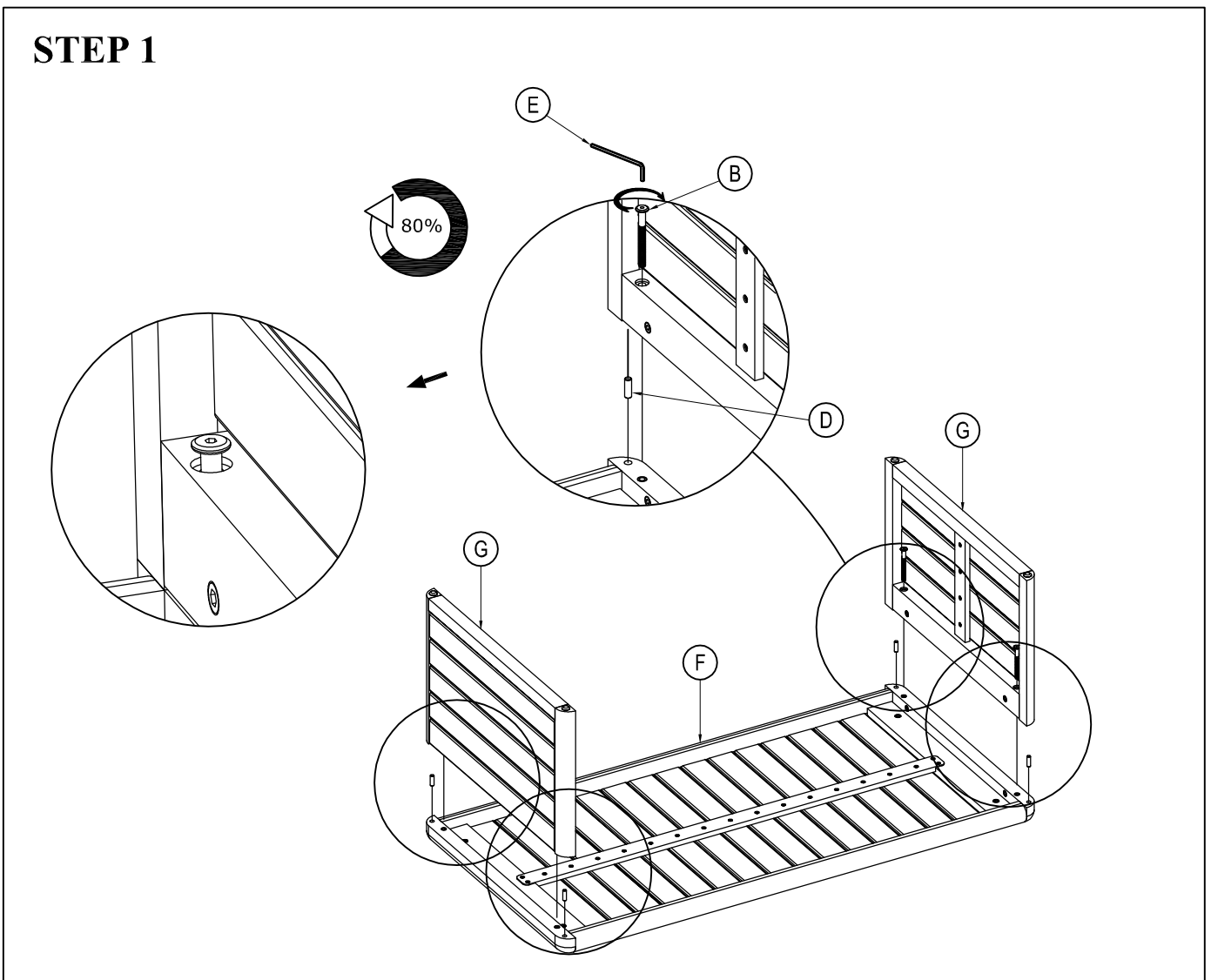


Step	Code	Hardware		Q'ty
2,3	A	F-Bolt 6x18, P-HEX, ST (TPI=25)		12 pcs
1,4	B	F-Bolt 8x75, P-HEX, ST (TPI=20)		04 pcs
2,3	C	Support pat 64x32x30x(t4), ST		04 pcs
1	D	Wooden Dowel 8x25		04 pcs
1, 2, 3, 4	E	Allen key 4x98		01 pc

Step	Code	Component		Q'ty
1, 2, 3, 4	F	Table top frame		01 pc
1, 2, 3, 4	G	Table leg frame		02 pcs

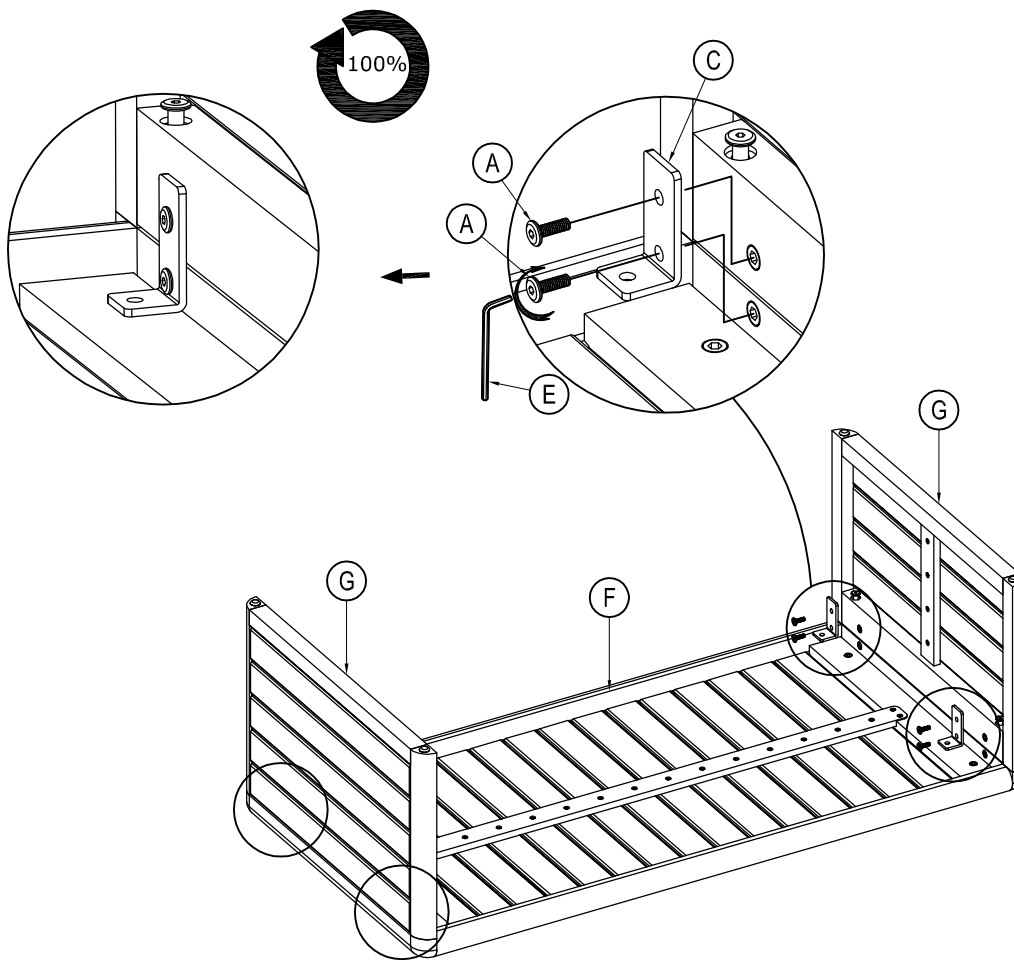


*****Caution:** Please read all instructions carefully before starting the assembly process. Always place parts on a flat surface lined with an anti-scratch fabric. These parts are cumbersome and heavy. Therefore, two people are recommended in order to prevent personal injury and insure the parts are not damaged during the assembly.



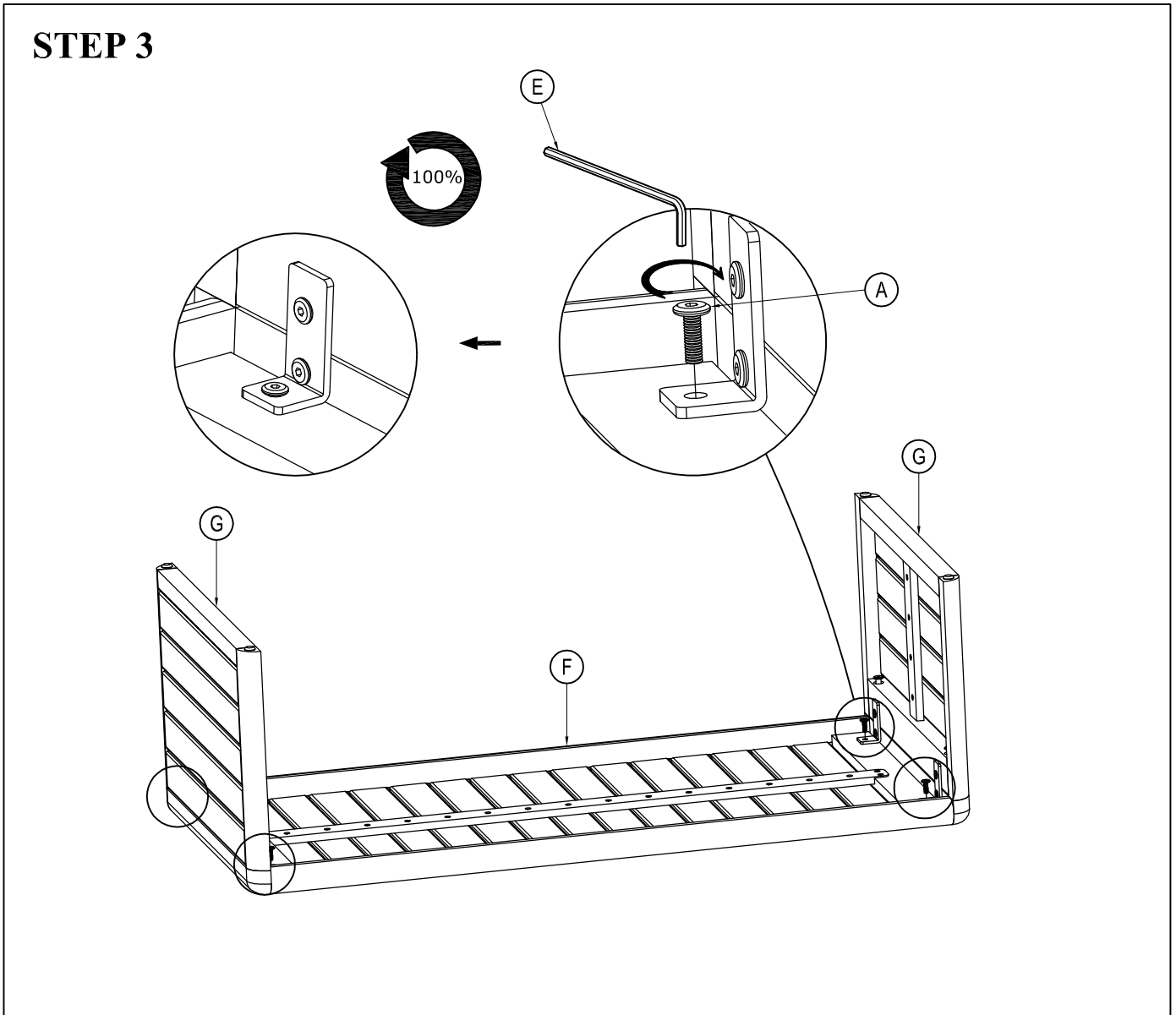
Attach table leg frame (G) to the table top frame (F) with F-Bolt (B), Wooden Dowel (D). Tighten with Allen key (E) to 80% tightness.

STEP 2

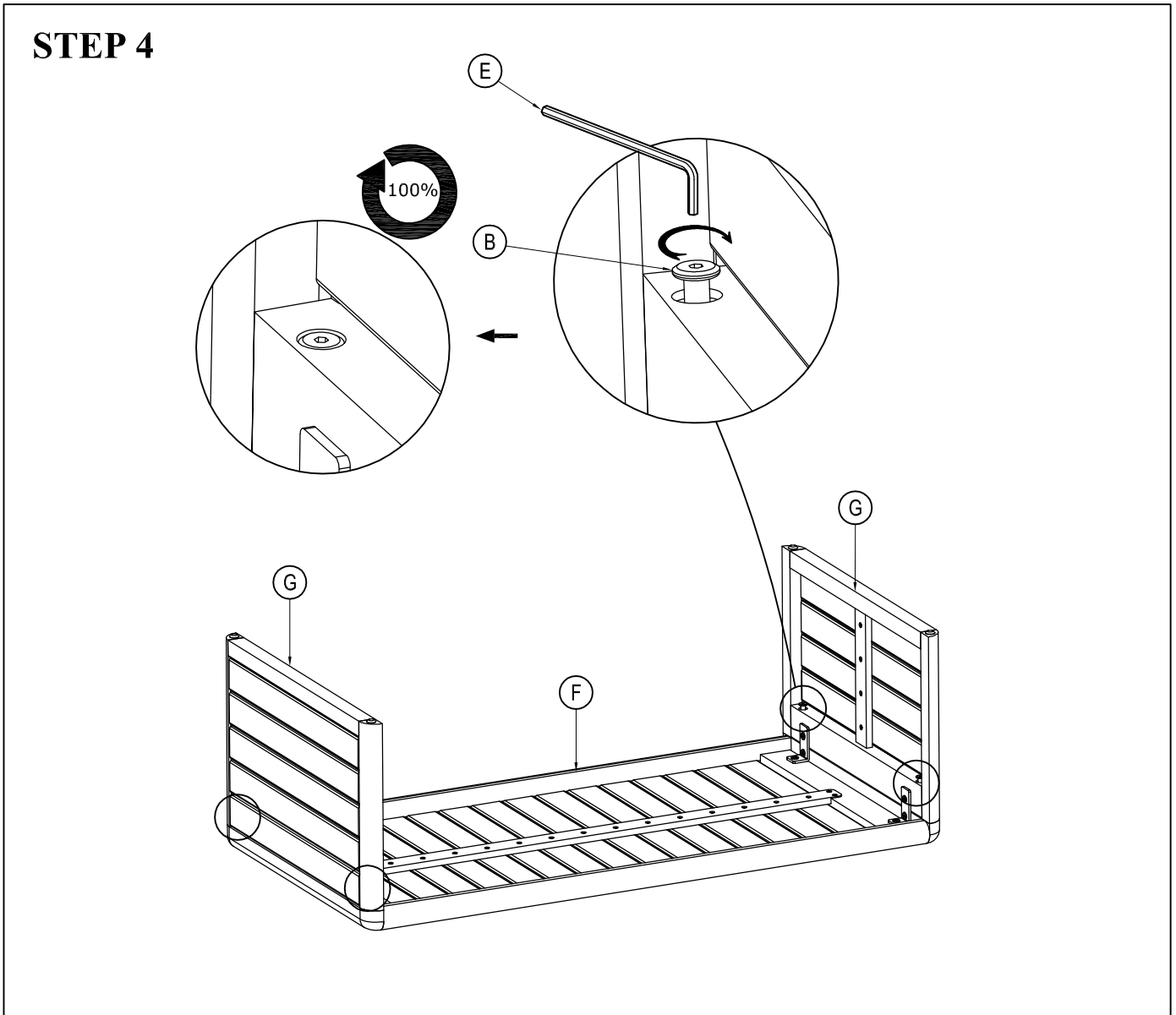


Attach Support pat (C) to the table leg frame (G) and table top frame (F) with F-Bolt (A). Tighten with Allen key (E) to 100% tightness.

STEP 3



Tighten F-Bolt (A) with Allen key (E) to 100% tightness.



Tighten F-Bolt (B) with Allen key (E) to 100% tightness.