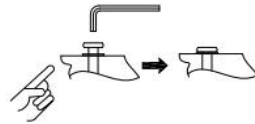
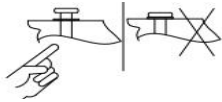
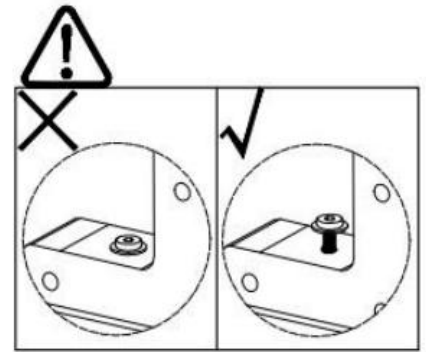
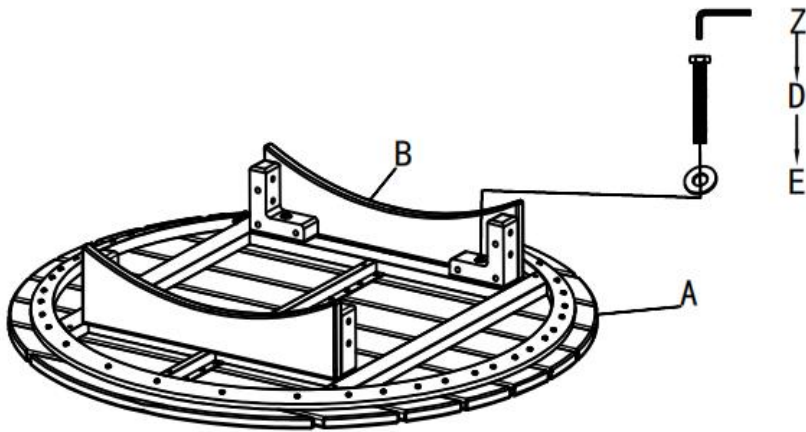


Thanks for purchasing this quality product. Be sure to check all packing materials carefully for small parts, which may have come loose inside the carton during shipment. Identify and count all parts and compare with the Hardware List below

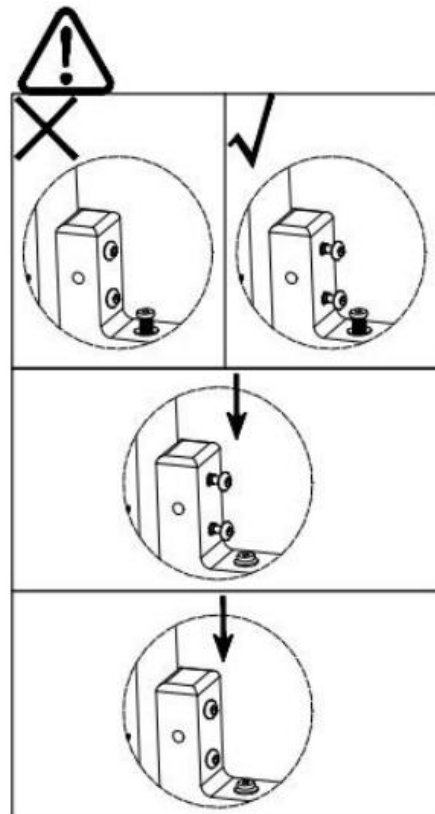
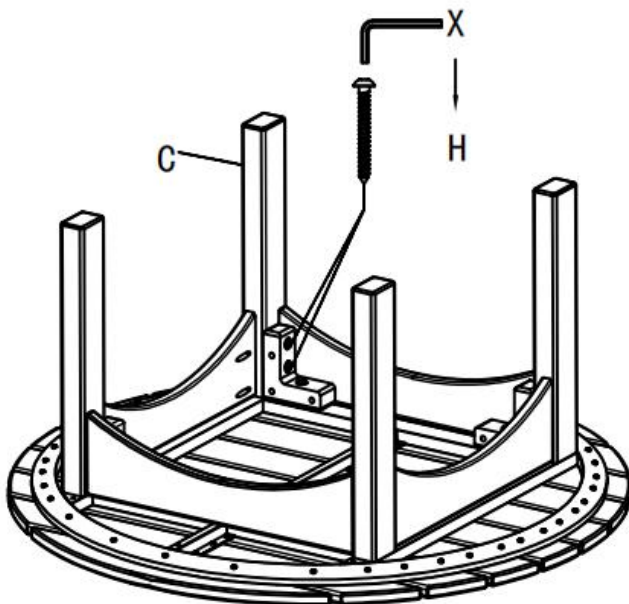
Caution: Loosely pre-assemble all the bolts first. Do not fully turn until all bolts are inserted into the proper holes.



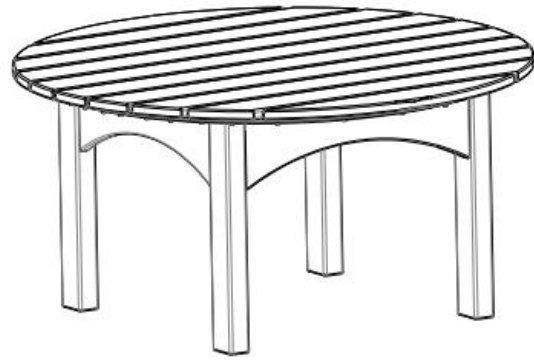
Step 1: Place the Table Top(Part A) on a clean, soft surface as a blanket or carpet. Assemble the Connecting bar with wedges(Part B) to the Top by Bolt(M6*45) (Part D) and Washer(Part E)and loosely tighten with Allen Key 2(Part Z), do not fully turn the bolts in to the holes.







Step 2: Assemble the Table Leg(Part C) to the Top by Bolt(M6*65)(Part H), loosely tighten with Allen Key 1(Part X), do not fully turn in to the hole until all bolts are inserted in their holes.



Step 3: After tightening all bolts, your product is ready for use.







PARTS LIST

NO.:	PIC	DESC	QTY
A		Top	1pc
B		Connecting bar with wedges	2 pcs
C		Table Leg	2 pcs
D		Bolt(M6*45)	4pcs

Periodically check and make sure all bolts are fully tightened.

PARTS LIST

NO.:	PIC	DESC	QTY
E		Washer	4pcs
H		Bolt(M6*50)	8pcs
X		Allen Key 1(5MM)	1pcs
Z		Allen Key 2(4MM)	1pcs