





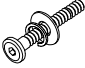



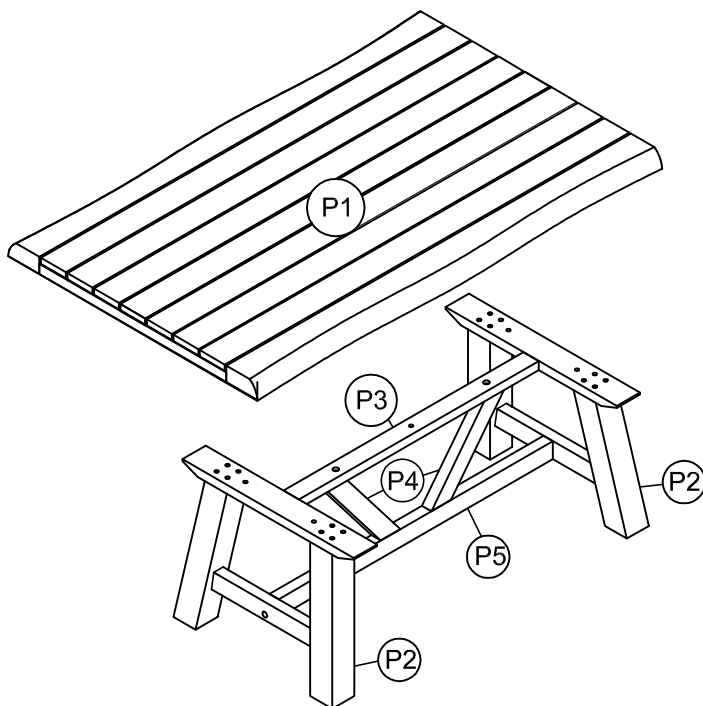


No.	PARTS LIST		QTY
P1	TABLE TOP		1
P2	LEGS		2
P3	SUPPORT BAR		1
P4	SHORT SUPPORT BAR		2
P5	CROSS BAR		1

No.	HARDWARE PACK		QTY
1		BOLT 3/8"-21x 1-3/4"	9Pcs
		FLAT WASHER 3/8"x16x1mmT	9Pcs
		SPRING WASHER 3/8"x13x1.5mmT	9Pcs
2		BOLT 3/8"-21x 2-3/4"	4Pcs
		FLAT WASHER 3/8"x16x1mmT	4Pcs
		SPRING WASHER 3/8"x13x1.5mmT	4Pcs
3		ALLEN KEY 4x50x70mm	1Pc
4		WOOD PLUG	2Pcs
		RUBBER HAMMER	Not provided

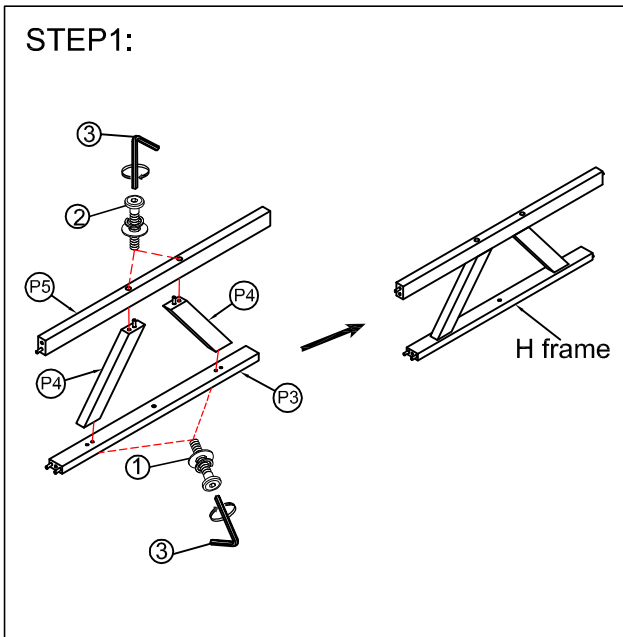


Hardware Pack Location(s): Bottom of the table that the bases are attached to.

PATMOS WOOD COCKTAIL TABLE, 73074800

***Caution: Please read all instructions carefully before starting the assembly process. These parts are cumbersome and heavy. Therefore, two person assembly is recommended in order to prevent personal injury and damaged parts .

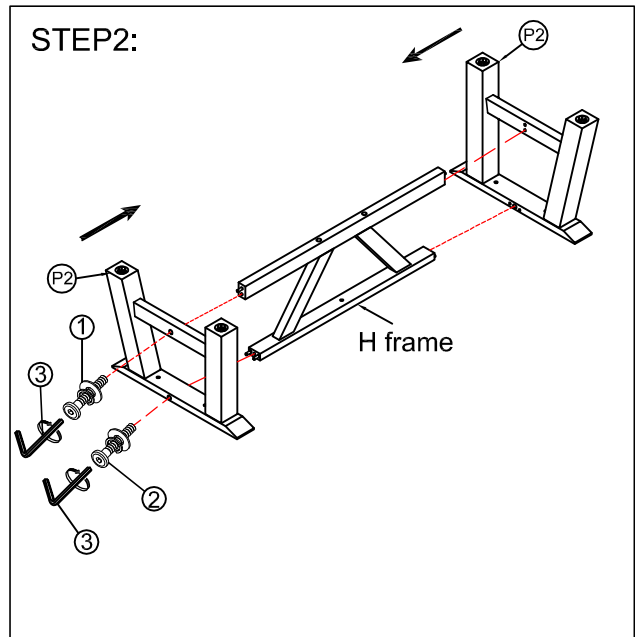
STEP1:



Assemble the short support bar (P4) into the support bar (P3) and the cross bar (P5).

Note: Do not fully tighten the bolts until the last step.

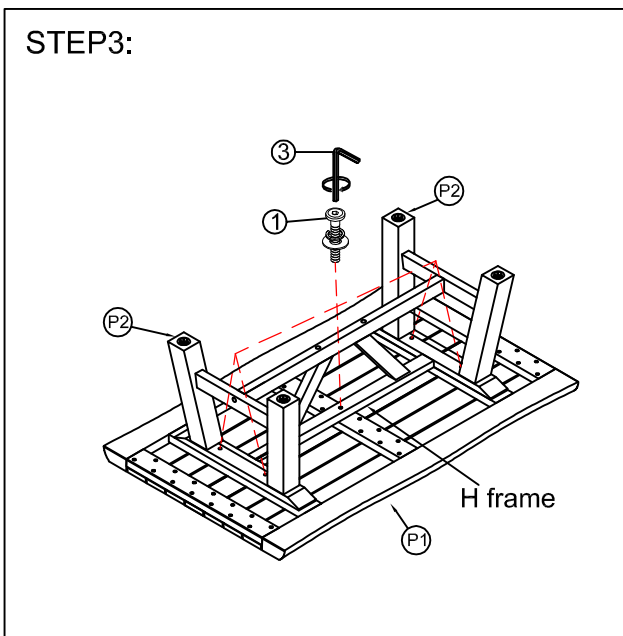
STEP2:



Assemble the H frame into the legs.

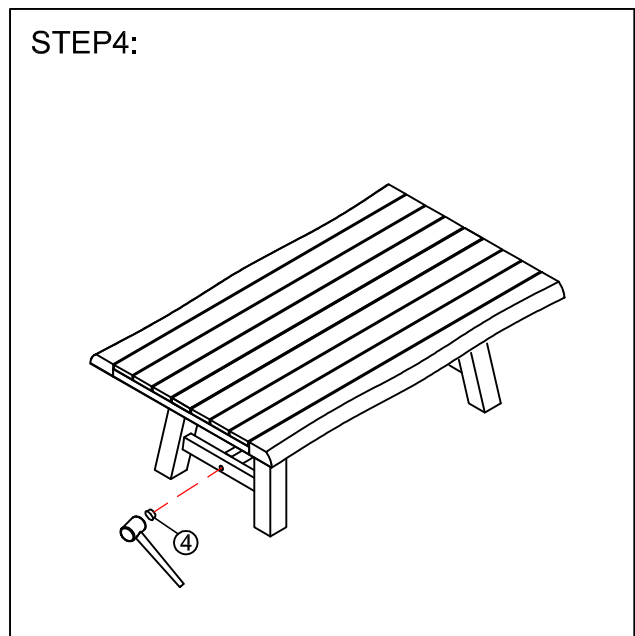
Note: Do not fully tighten the bolts until the last step.

STEP3:



Put the bottom of table up, assemble the leg frame into table top. Tighten the bolts.

STEP4:



Turn the table over and use the rubber hammer to put the wood plug into the leg and assembly completed.