

Dear Customer!

"Jib" Coffee Table

Congratulations with the purchase of this Solid Teak-wood Coffee Table!

To assemble this table, you will need only 1 Medium Hammer + 1 Philips-screwdriver.

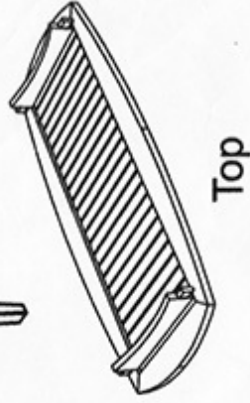
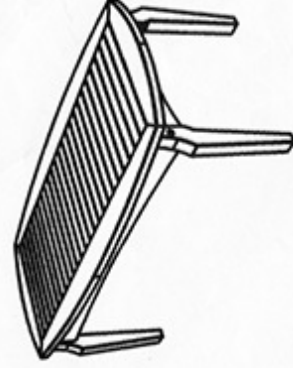
Please unpack the carton and check if you have the following components:



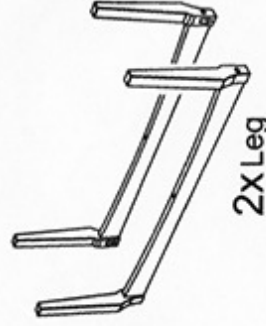
8X Dowels



2X StainLessSteel
Woodscrew

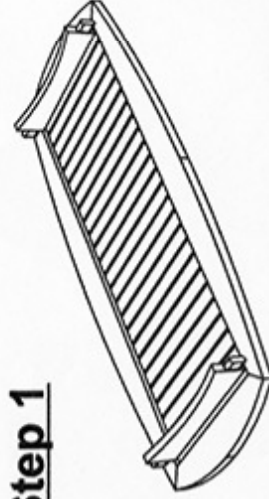


Top



2X Leg

Step 1

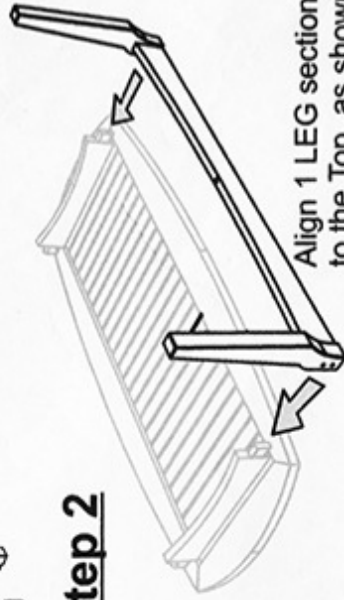


Lay Top section flat on level surface.

Step 2

Repeat step 2 for other LEG section, as shown.

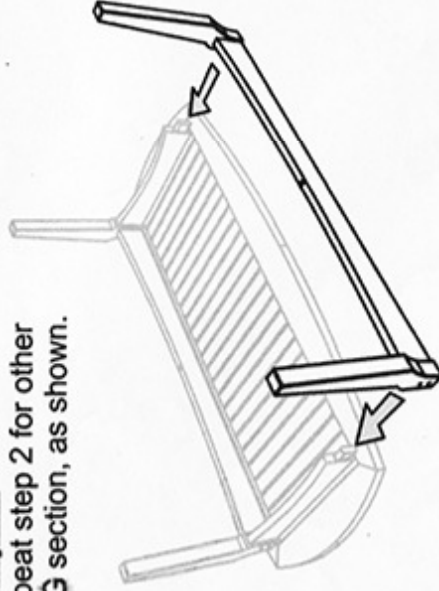
Step 2



Align 1 LEG section to the Top, as shown.

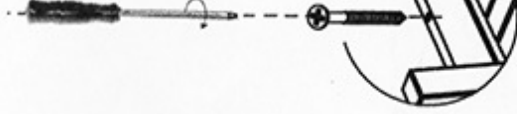
Step 3

Repeat step 2 for other LEG section, as shown.

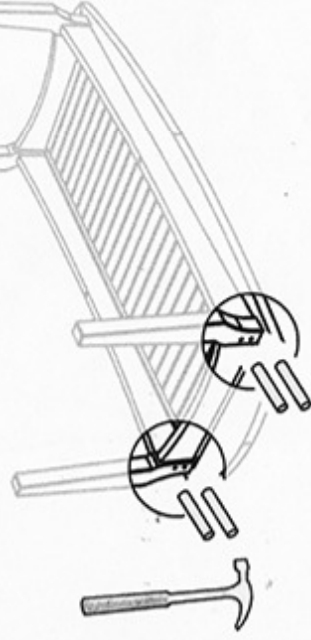


Step 4

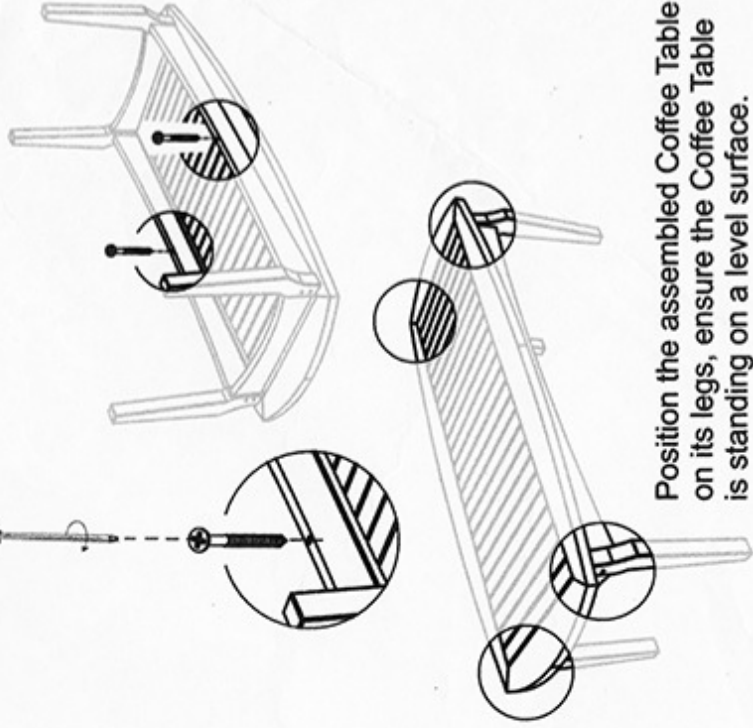
Screw 1 stainless wood screw in the pre-drilled hole, as shown. Repeat this step for the other side.



Step 5



Insert 4 dowels and use the hammer to tap the dowels completely into the holes, as shown. Repeat this step for other side.



Position the assembled Coffee Table on its legs, ensure the Coffee Table is standing on a level surface.