


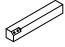
Assembly Instructions

MTTU 1014

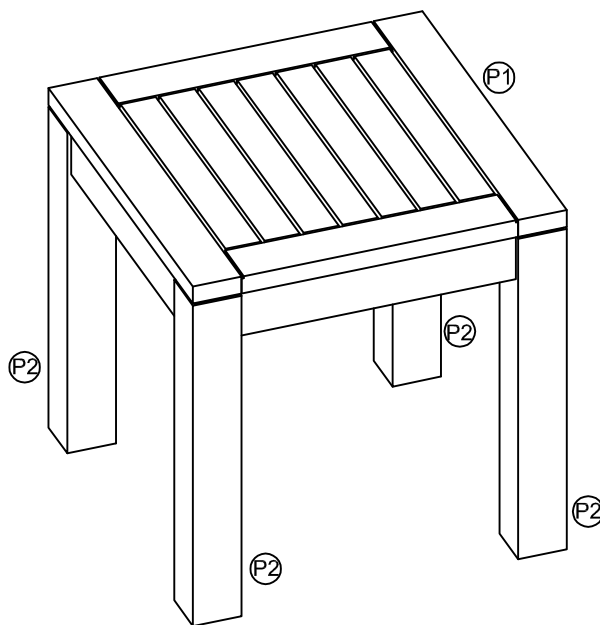
End Table

Manufactured for Rooms To Go

SKU: 73310143

No.	PARTS LIST		QTY
P1	TABLE TOP		1
P2	LEGS		4

No.	HARDWARE PACK		QTY
1		BOLT 3/8"-21x 2-3/8"	8Pcs
		SPRING WASHER 3/8"x11x1.5mmT	8Pcs
		FLAT WASHER 3/8"x19x2mmT	8Pcs
		ALLEN KEY 4x70x50mm	1Pc



Hardware Pack Location(s): Bottom of the table that the bases are attached to.

Assembly Instructions

MTTU 1014

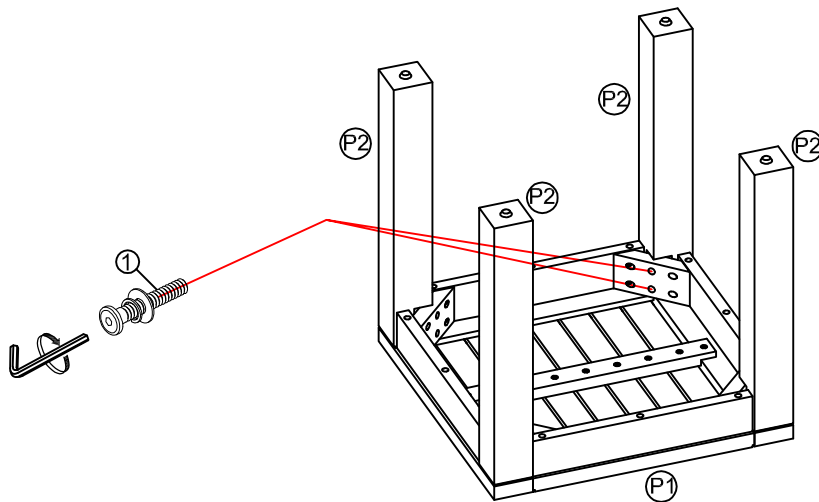
End Table

Manufactured for Rooms To Go

SKU: 73310143

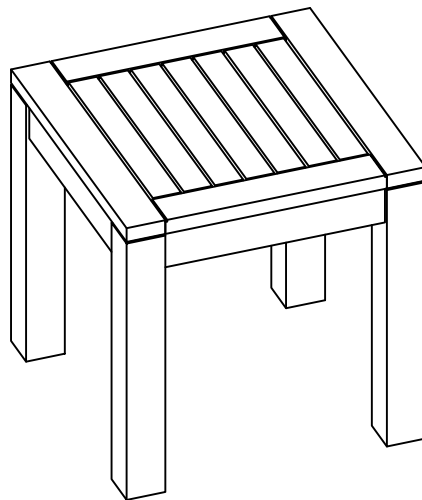
***Caution: Please read all instructions carefully before starting the assembly process. These parts are cumbersome and heavy. Therefore, two person assembly is recommended in order to prevent personal injury and damaged parts .

STEP1:



Put the bottom of table top facing up, assemble the leg into the table top.

STEP2:



Turn the table back over and you are finished.