
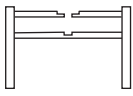
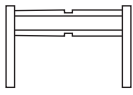

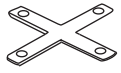






Thanks for purchasing this quality product. Be sure to check all packing materials carefully for small parts, which may have come loose inside the carton during shipment. Identify and count all parts and compare with the Hardware List below

PARTS LIST

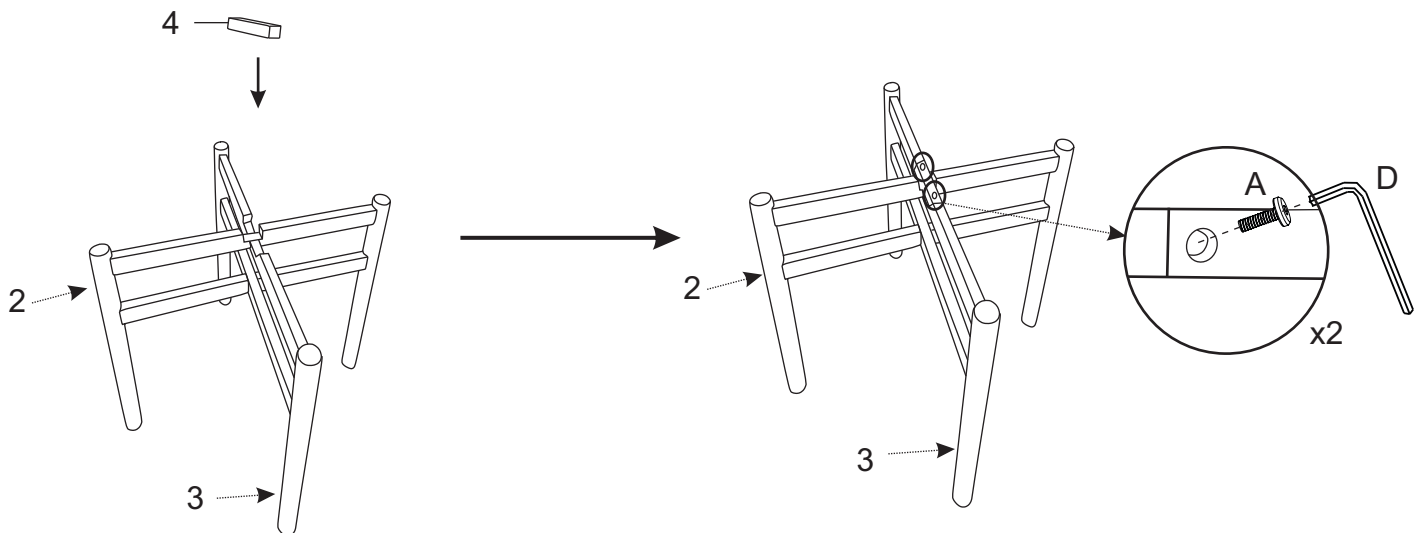
NO.:	PIC	DESC	QTY
1		Table Top Part	1 pc
2		First Leg Part	1 pc
3		Second Leg Part	1 pc
4		Connector Wooden Part	1 pc
5		Cross Flat Plate	1 pc

PARTS LIST

NO.:	PIC	DESC	QTY
A		Bolts M6x30	6 pcs
B		Spring Washer M8	4 pcs
C		Washer M6	4 pcs
D		Allen Key	1 pc

Step 1: Place the Second Leg part (3) diagonally over the First Leg part (2) on a clean surface. Use a connector wooden part (4) to connect The Legs.

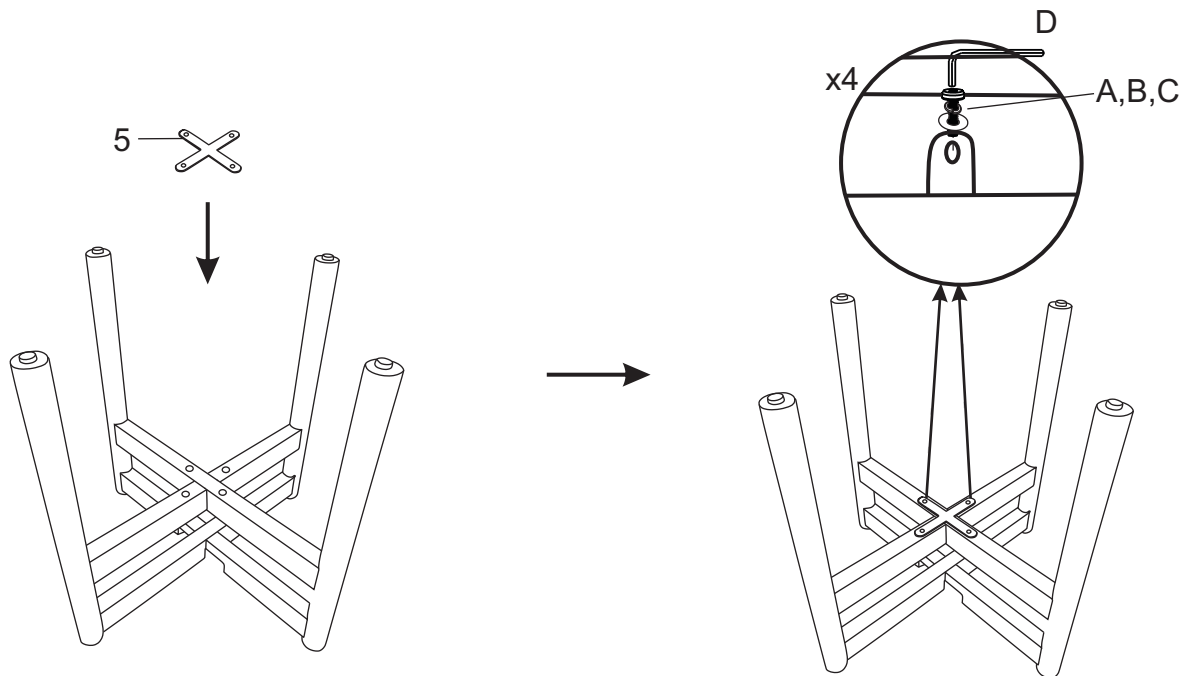
Step 2: Insert Bolts (A) and loosely tightening with Allen Key (D). When inserting the bolts, loosely tighten each about 5-6 full turns and ensure each of the 2 bolts fit well. Once all 2 are inserted and loosely tightened, proceed to fully tighten each bolt.



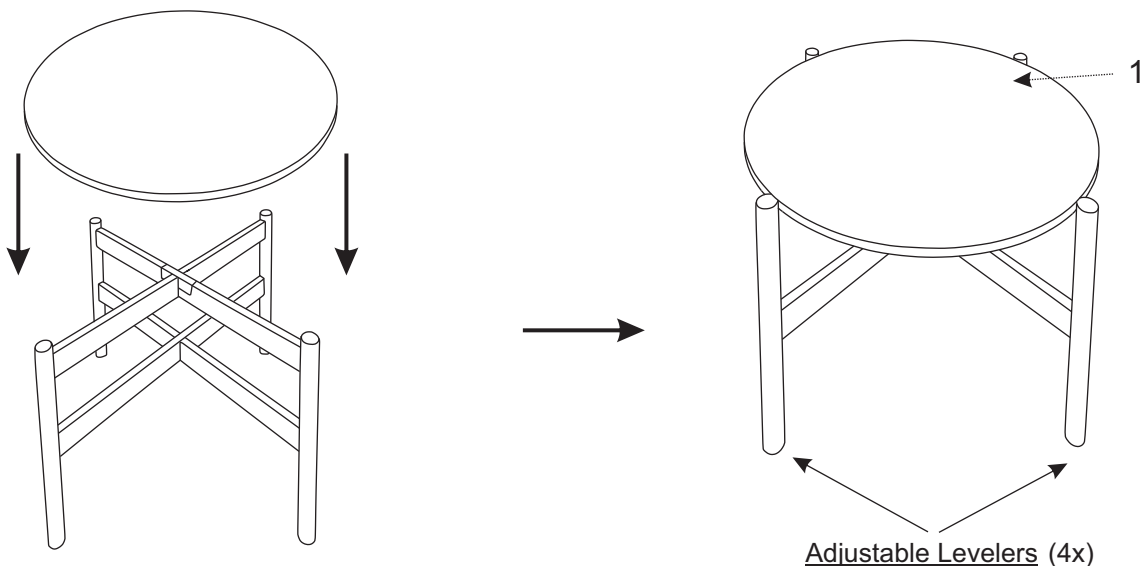
Thanks for purchasing this quality product. Be sure to check all packing materials carefully for small parts, which may have come loose inside the carton during shipment. Identify and count all parts and compare with the Hardware List below

Step 3. Assemble the Legs part (2,3) to the Cross Flat Plate (5) by Bolts, Spring washers M8, Washers M6 (A,B,C) and loosely tightening with Allen key (D).

When inserting the bolts, loosely tighten each about 5-6 full turns and ensure each of the 4 bolts fit well. Once all 4 are inserted and loosely tightened, proceed to fully tighten each bolt.



Step 4: After assembly, put the Table Top (1) on product and your product is ready to use.



Assembly Completed