

Assembly Instructions

MONTARA END TABLE

SKU#73363120









Identify all parts packed in the carton against the parts list. Remove all protective materials. Place parts on a non-abrasive surface to avoid scratching.

Do Not Attempt Assembly If Any Parts Are Missing Or Damaged.

Warning: Please do not use acid or alkaline washing liquid to clean the product.

Assemble the product as shown below, step-by-step.

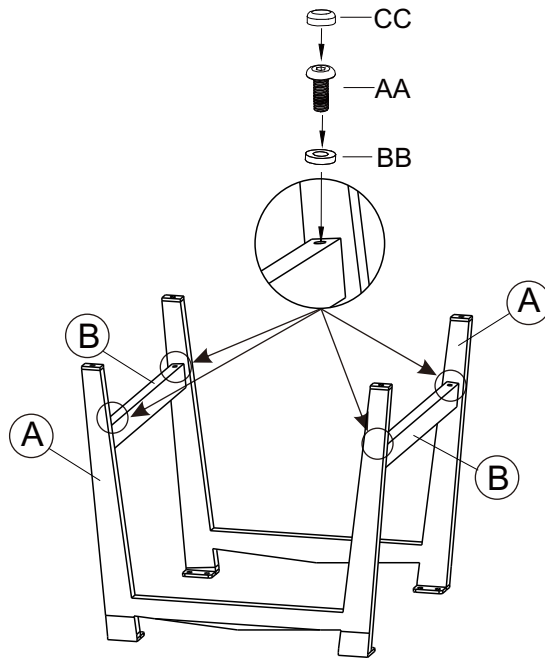
Part List

NO.	SKETCH	DESCRIPTION	QTY	NO.	SKETCH	DESCRIPTION	QTY
A		Leg	2	AA		Bolt (M6*20)	12
B		Support tube	2	BB		Steel Washer (Φ14*Φ6.5*1.5)	12
C		Table Top	1	CC		Bolt cap	12
D		Foot Glider	4	DD		Wrench	1

JWUA GLA-63127-2222HKD
Made in China

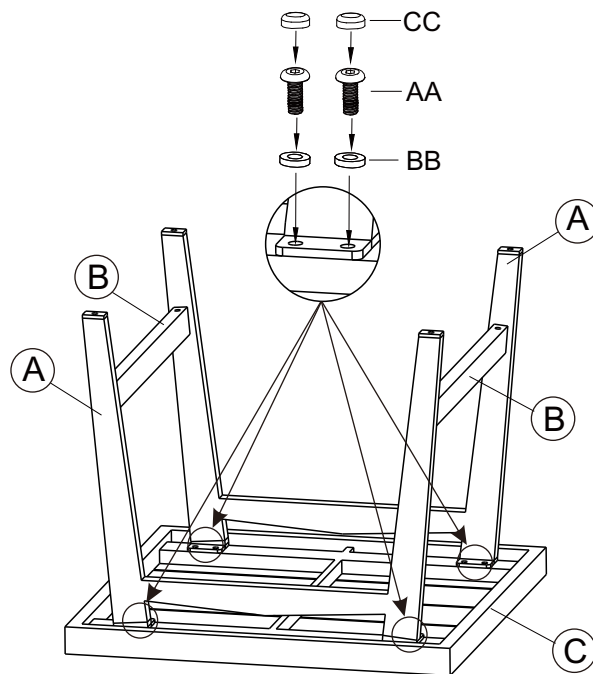
STEP 1

Hand tighten nut 3-4 revolutions only, Do not tighten all the bolts and nuts.



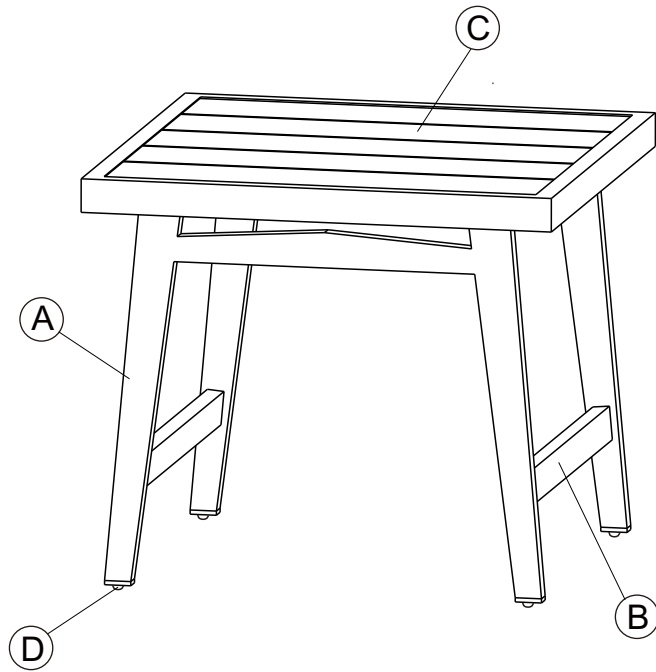
STEP 2

Hand tighten nut 3-4 revolutions only, Do not tighten all the bolts and nuts.



STEP 3

Need two people turn the Table right side up. Adjust the pre-installed foot glider(D) at the end of each Table leg until the Table is level with the ground Securely, Your Table is ready for use.



***DO NOT OVER TIGHTEN**

***NO SOCKET DRIVERS**



***NO POWER TOOLS**

