






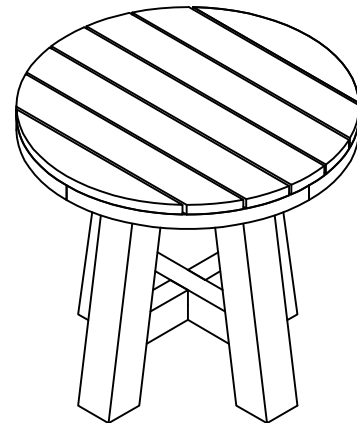
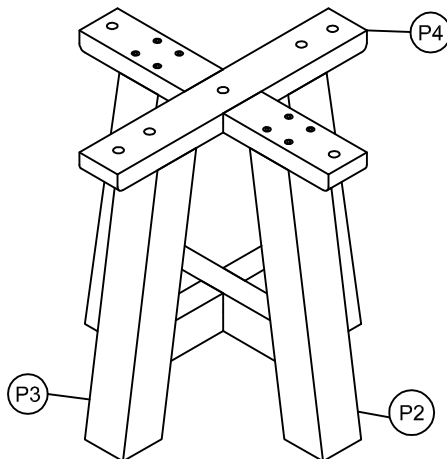
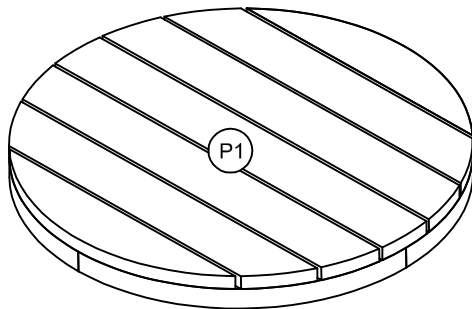


No.	PARTS LIST		QTY
P1	TABLE TOP		1
P2	LEG 1		1
P3	LEG 2		1
P4	SUPPORT TOP		1

No.	HARDWARE PACK		QTY
1		BOLT 3/8"-21x 1"	1Pc
		FLAT WASHER 3/8"x16x1mmT	1Pc
		SPRING WASHER 3/8"x13x1.5mmT	1Pc
2		BOLT 3/8"-21x 2"	7Pcs
		FLAT WASHER 3/8"x16x1mmT	7Pcs
		SPRING WASHER 3/8"x13x1.5mmT	7Pcs
3		ALLEN KEY 4x30x75mm	1Pc

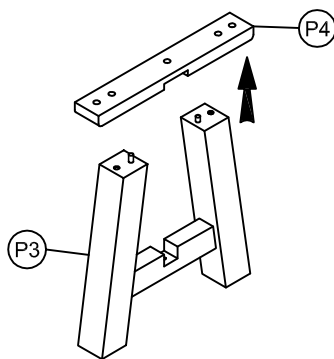


Assembly Complete

Hardware Pack Location(s): Bottom of the table that the bases are attached to.

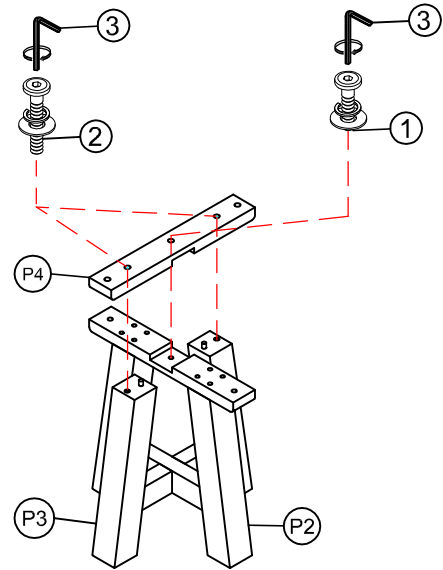
***Caution: Please read all instructions carefully before starting the assembly process. These parts are cumbersome and heavy. Therefore, two person assembly is recommended in order to prevent personal injury and damaged parts .

STEP1:



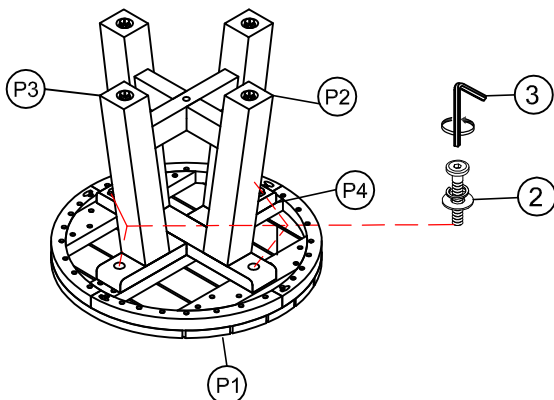
Take out the support top (P4) before assemble.

STEP2:



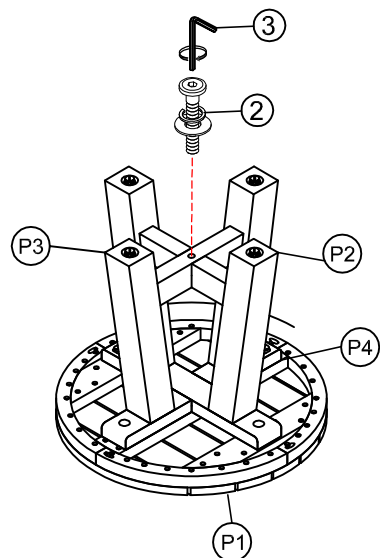
Assembly the support top (P4) into leg frame (P2) and leg frame (P3).Tighten all bolts.

STEP3:



Put the bottom of table up, assemble the leg into table top. Tighten all bolts.

STEP4:



Tighten leg frame by the bolt.