




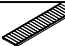
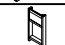
ROOMS TO GO PATIO™

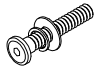
Assembly Instructions

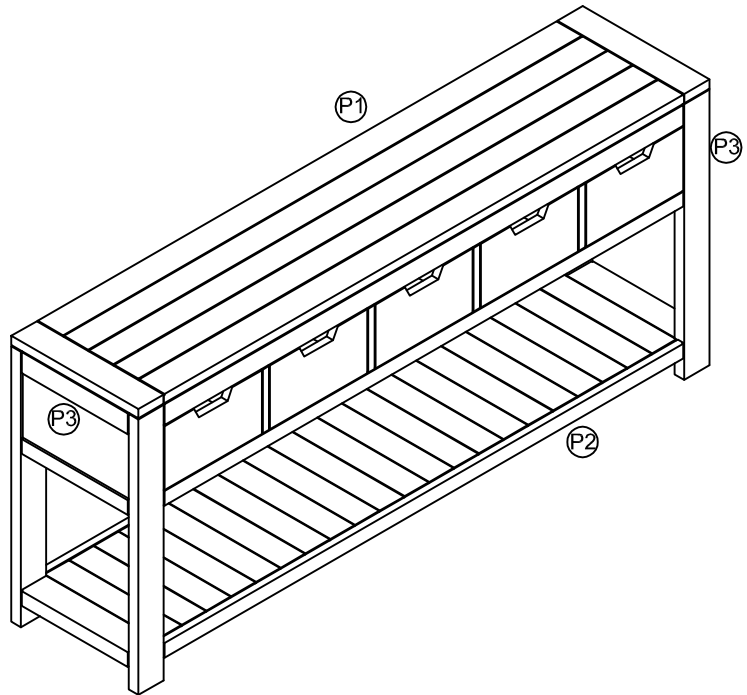
MTTU 1014 Sofa Table With Drawers

Manufactured for Rooms To Go

SKU: 73710141

No.	PARTS LIST		QTY
P1	TABLE TOP FRAME		1
P2	SHELF		1
P3	LEG		2

No.	HARDWARE PACK		QTY
1		BOLT 3/8"-21x 2"	12Pcs
		SPRING WASHER 3/8"x11x1.5mmT	12Pcs
		FLAT WASHER 3/8"x19x2mmT	12Pcs
		ALLEN KEY 4x70x50mm	1Pc



Hardware Pack Location(s): Attached to the inside of the leg frame.

Sofa Table With Drawers, 73710141

Assembly Instructions

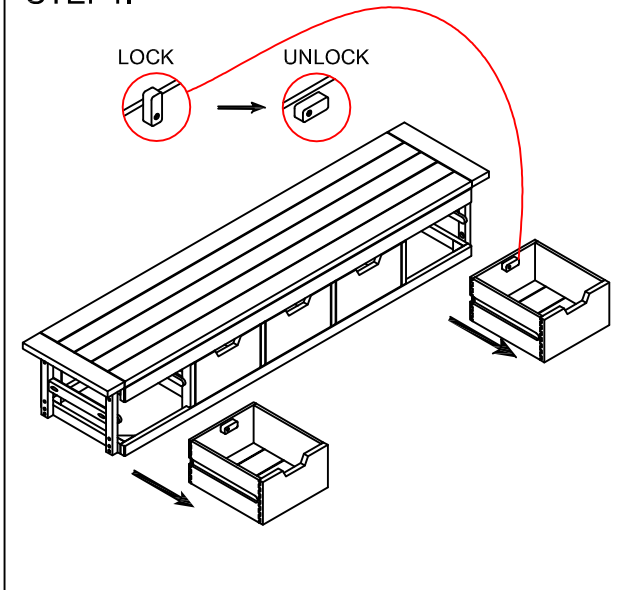
MTTU 1014 Sofa Table With Drawers

Manufactured for Rooms To Go

SKU: 73710141

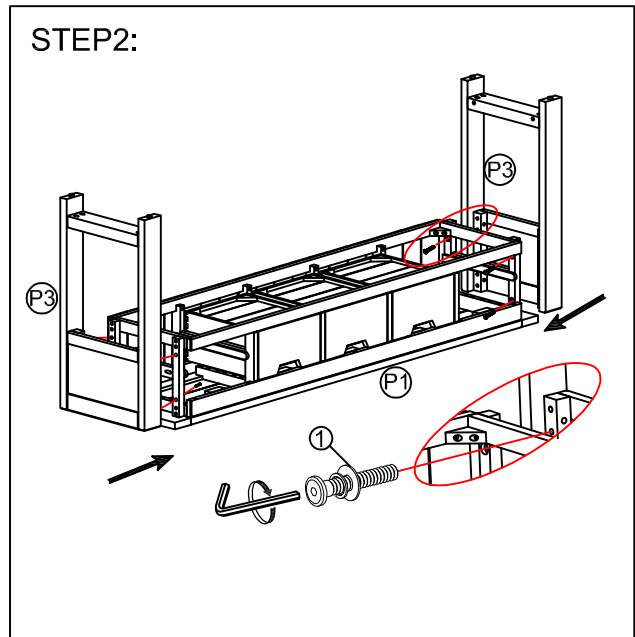
***Caution: Please read all instructions carefully before starting the assembly process. These parts are cumbersome and heavy. Therefore, two person assembly is recommended in order to prevent personal injury and damaged parts .

STEP1:



Unlock the block wood of drawer and take out 2 drawers.

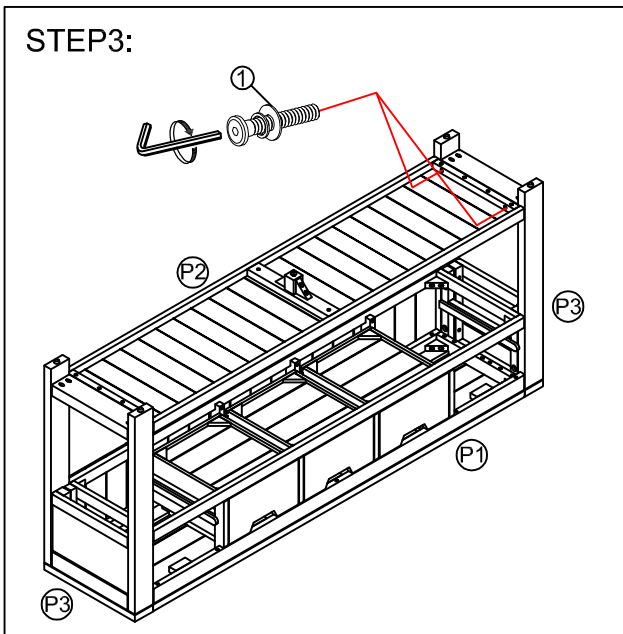
STEP2:



Put the bottom table facing up, assemble the leg into the table top frame.

Note: Do not fully tighten the bolts until the last step.

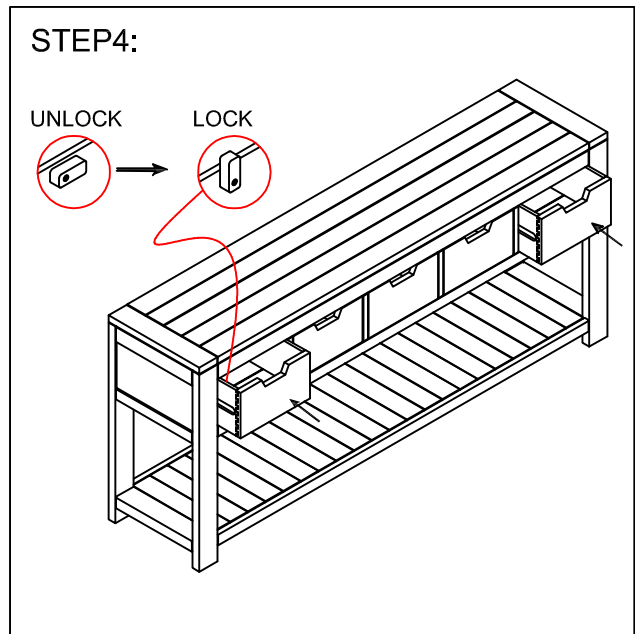
STEP3:



Assemble the shelf into the 2 legs.

Note: Tighten all bolts.

STEP4:



Turn back the table, assemble 2 drawers. Lock the wood block and finish.