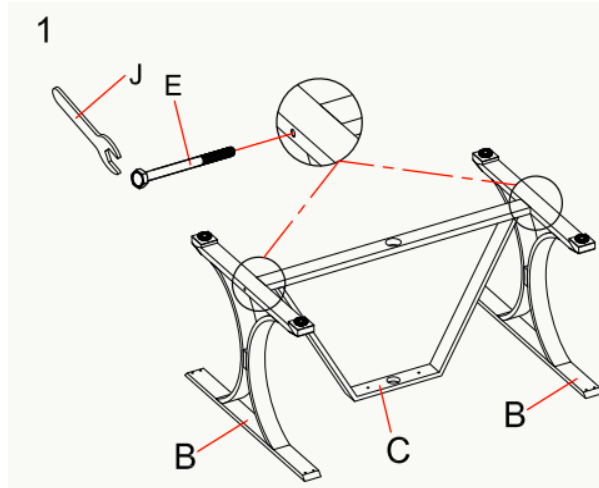


# ASSEMBLY INSTRUCTIONS

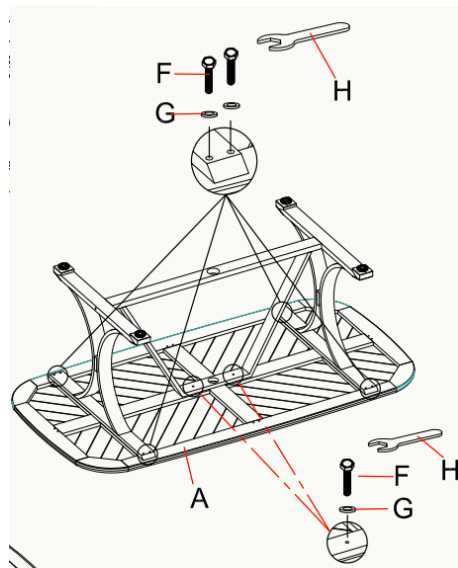
SHGP HMP CV 84" RECT DINING TABLE  
SKU:74010023

Thanks for purchasing this quality product. Be sure to check all packing materials carefully for 10MM parts, which may have come loose inside the carton during shipment. Identify and count all parts and compare with the Hardware List below

Step 1: Place the Table Base (Part B) on a clean, soft surface as a blanket or carpet. Assemble the Middle Frame (Part C) to the Table base by Bolts (Part E) and loosely tightening with 14MM Spanner (Part J).



Step 2: Place the Table Top (Part A) on a clean, soft surface as a blanket or carpet. Assemble the Table Base (Part B) to the Table top by Bolt (Part F) and Washer (part G) and loosely tightening with 10MM Spanner (Part H)








Step 3: After assembly, your product is ready for use.









## PARTS LIST

NO.:	PIC	DESC	QTY
A		Table Top	1pc
C		Middle Frame	1pc
E		Bolt	2pcs
G		Washer	10pcs
J		14MM Spanner	1pc

## PARTS LIST

NO.:	PIC	DESC	QTY
B		Table Base	2pcs
D		Umbrella hole cover	1pc
F		Bolt	10pcs
H		10MM Spanner	1pc

Periodically check and make sure all bolts are fully tightened.