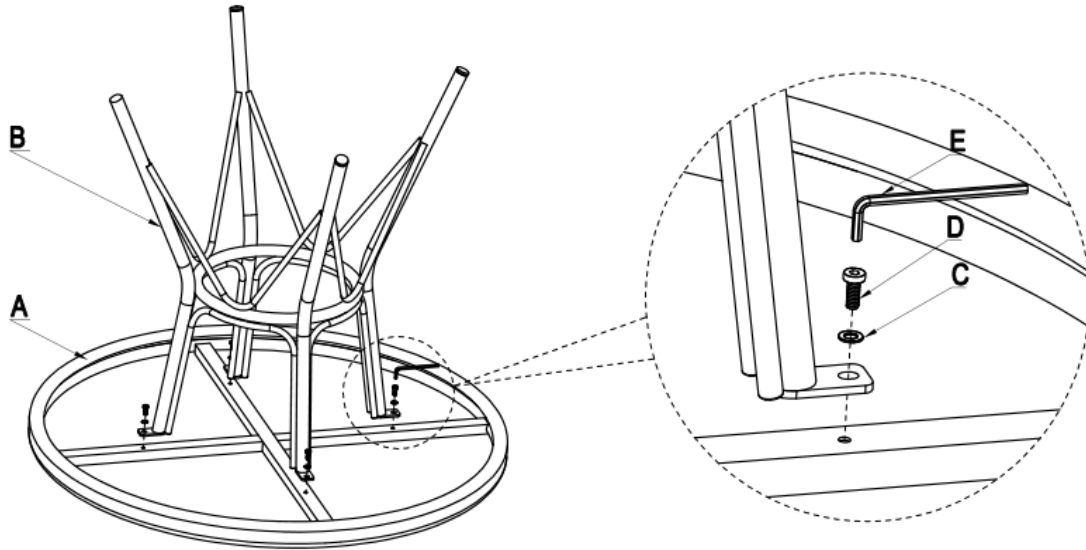


**ASSEMBLY INSTRUCTION**

SHGP JULIETTE WHT 33" TBL  
SKU:74100048+74200040

Thanks for purchasing this quality product. Be sure to check all packing materials carefully for small parts, which may have come loose inside the carton during shipment. Identify and count all parts and compare with the Hardware List below




Step 1 : Place the table top (Part A) on a clean, soft surface as a blanket or carpet with bottom upward. Assemble the base (Part B) to the top by Washer (Part C) and Bolt (Part D) with Allen key(Part E).





Step 2 :After tightening all bolts, your product is ready for use



PARTS LIST

NO.:	PIC	DESC	QTY
A		Table Top	1 pc
B		Table Base	1 pc
E		Allan Key	1 pc

PARTS LIST

NO.:	PIC	DESC	QTY
C		Washer	4PCS
D		Bolt	4PCS

Periodically check and make sure all bolts are fully tightened.