

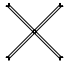






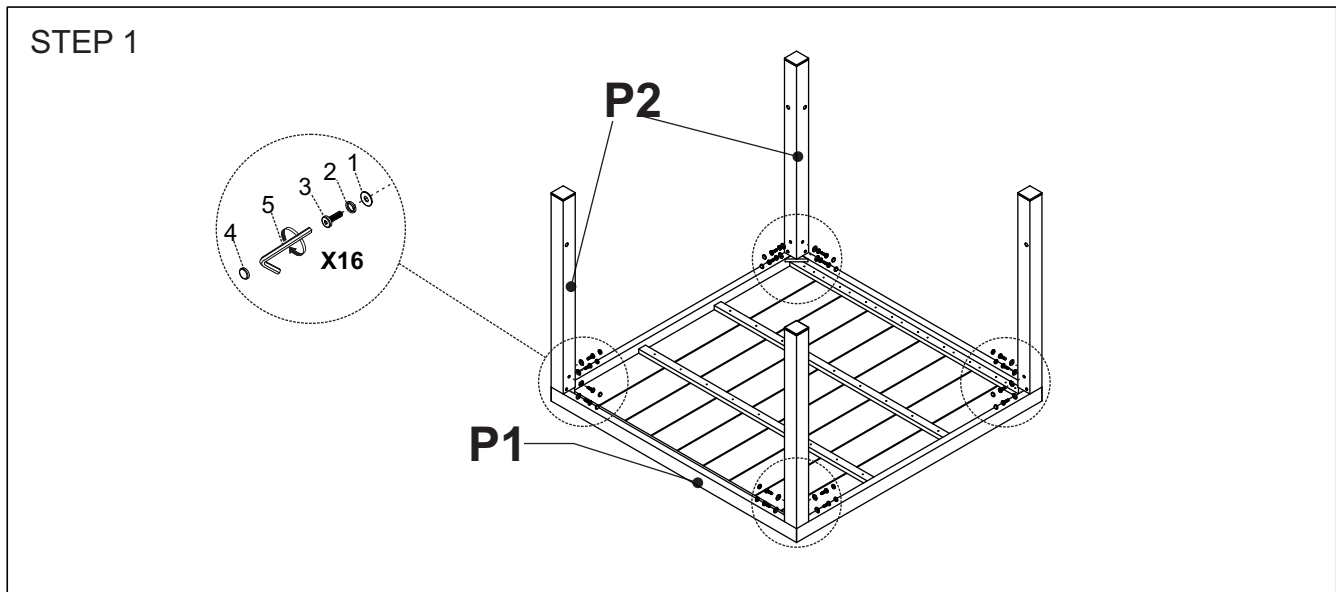


| NO. | PART LIST | QTY |
|-----|--|-------|
| P1 | TABLE TOP  | 1 Pc |
| P2 | CROSS LEG  | 4 Pcs |
| P3 | SUPPORT BAR  | 1 Pc |

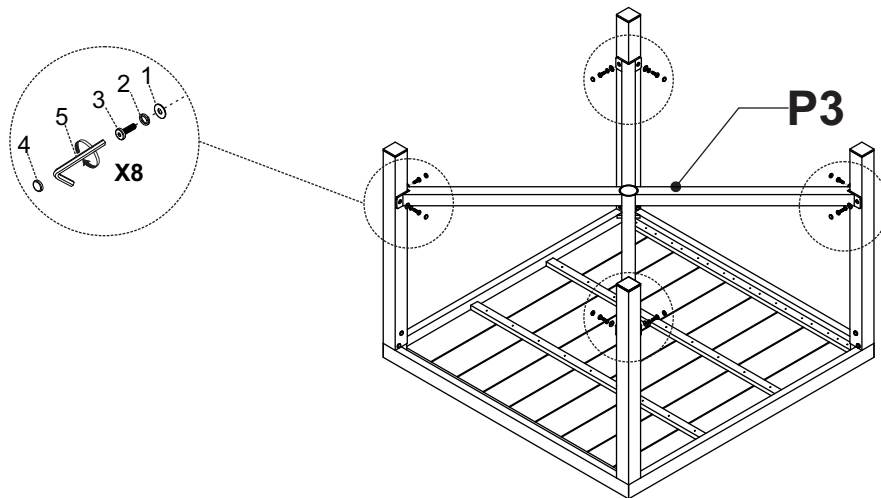
| NO. | HARDWARE PACK | QTY |
|-----|--|--------|
| 1 | FLAT WASHER 1/4"x5/8"x1mm(T)  | 24 Pcs |
| 2 | SPRING WASHER 5/16"x1/2"x2mm(T)  | 24 Pcs |
| 3 | BOLT 1/4" - 14 x 9/16"  | 24 Pcs |
| 4 | PLASTIC BOLT CAP  | 24 Pcs |
| 5 | ALLEN KEY 5/32"x1-3/6"x2-15/16"  | 1 Pc |
| 6 | UMBRELLA HOLE COVER  | 1 Pc |

****Caution:** Please read all instructions carefully before starting the assembly process. These parts are cumbersome and heavy. Therefore, two person assembly is recommended in order to prevent personal injury and damaged parts.



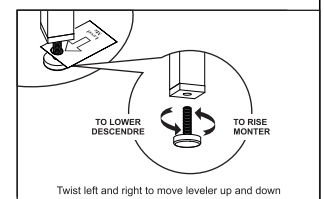
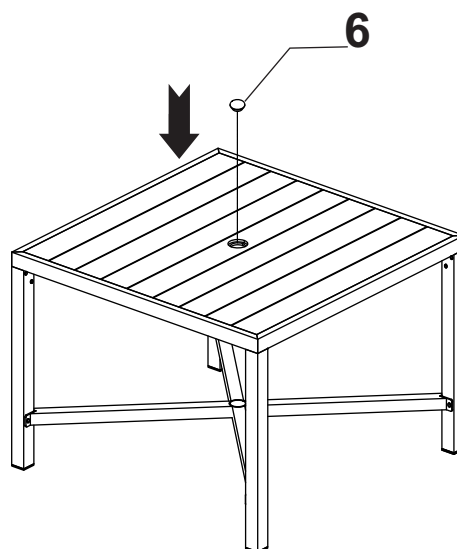
Hardware Pack Location(s): Bottom of the table that the bases are attached to.

STEP 2



*The umbrella hole cover is to be put in the umbrella hole when umbrella is not in use.

STEP 3



Assembled Complete