



# OUTDOOR

## ASSEMBLY INSTRUCTION

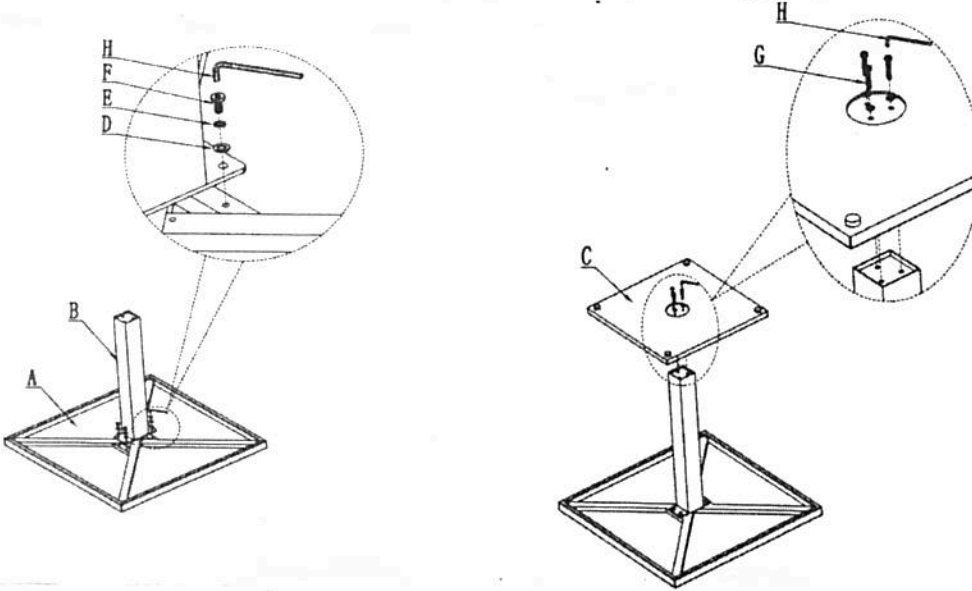
SHGP WICKER BISTRO TABLE SQUARE 31" BROWN

SHGP WICKER TABLE SKU74013459

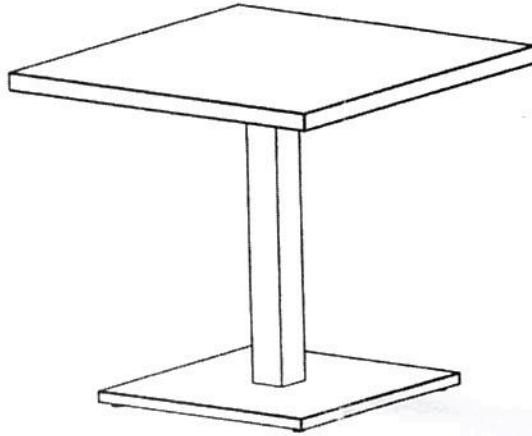
Thanks for purchasing this quality product. Be sure to check all packing materials carefully for small parts, which may have come loose inside the carton during shipment. Identify and count all parts and compare with the Hardware List below

Step 1 : Place the table top (Part A) on a clean, soft surface as a blanket or carpet with bottom upward. Assemble the Middle Pillar (Part B) to top by Washer 1 (Part D) and Washer 2 (Part E) and Bolt 1 (Part F) with Allen key(Part H)

Step 2 : Assemble the Bottom Plate (Part C) to the Middle Pillar by Bolt 2 (Part G) with Allen key(Part H)



Step 3 :After tightening all bolts, your product is ready for use



PARTS LIST

NO.:	PIC	DESC	QTY
A		Table Top	1PC
B		Middle Pillar	1PC
C		Bottom Plate	1PC
D		Washer 1	7PCS

PARTS LIST

NO.:	PIC	DESC	QTY
E		Washer 2	4PCS
F		Bolt 1	4PCS
G		Bolt 2	3PCS
H		Allan Key	1PC