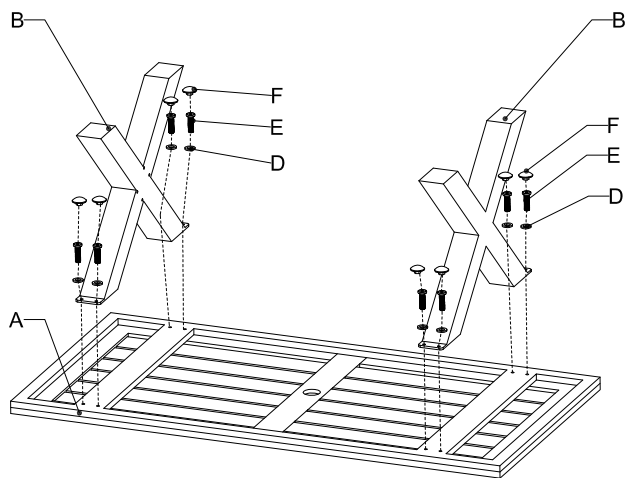


ASSEMBLY INSTRUCTIONS

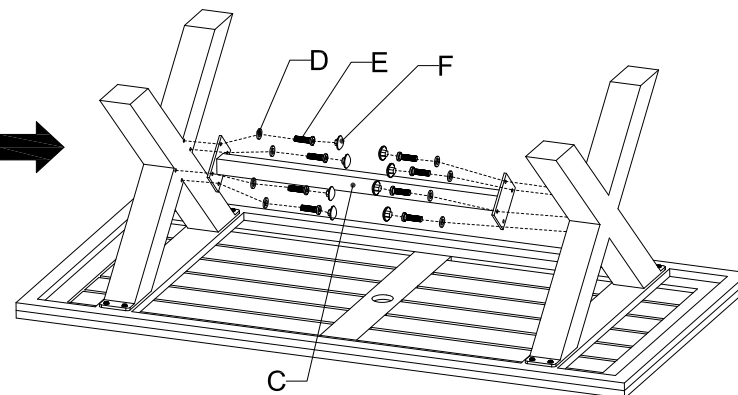
EXGM SOUTHPORT RECT DINING TABLE/RIALTO RECT DINING TABLE

SKU#74100428/74000387

Step 1: Place the Table Top (Part A) on a clean, soft surface. Assemble the Cross Leg (Part B) to the Table Top by Washer and Screw (Part D and E) and loosely tightening with the Allen Key.

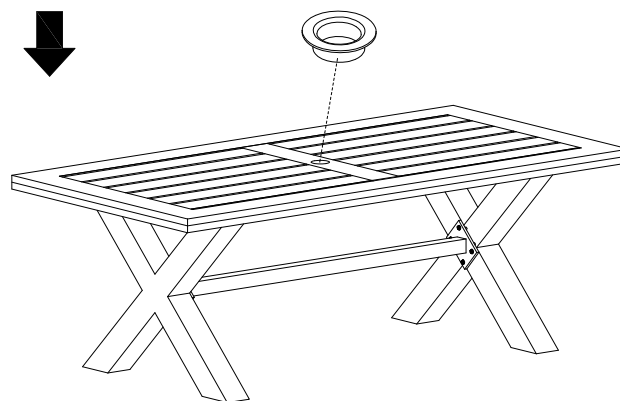


Step 2: Assemble the Support Bar (Part C) between Cross Leg by Washer & Screw (Part D and E) and loosely tightening with the Allen Key.

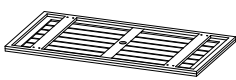
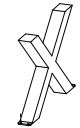








Step 3: After all screws have been assembled, fully tighten each one.

Step 4: Put the screw covers (F) on to cover the screw heads for a better look. Now your product is ready for use.



PARTS LIST

NO.	A	B	C	D	E	F	G	H
DESC	Table Top	Cross Leg	Support Bar	Washer	Screw 1/4-20 x 25	Screw cover	Allen Key	Umbrella Hole Cover
PIC								
QTY	1pc	2pcs	1pc	16pcs	16pcs	16pcs	1pc	1pc

*The umbrella hole cover is to be put in the umbrella hole when umbrella is not in use.