

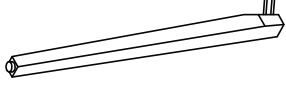
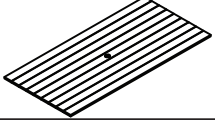



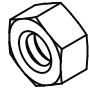
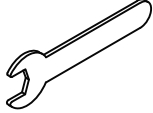


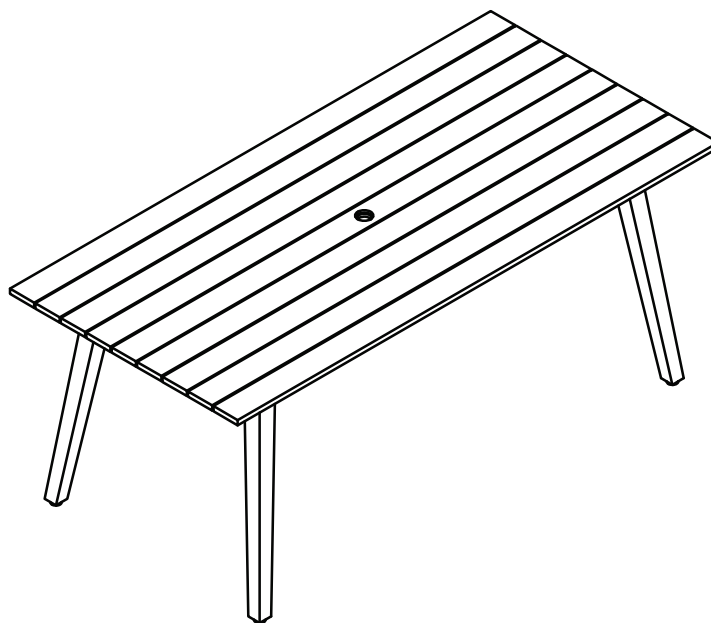
# ASSEMBLY INSTRUCTIONS

EFAR FK30 TESSERE DINING TABLE W HOLE

SKU# 74022220

Manufactured by EFAR for Rooms To Go

Hardware		Q'TY
A	Leg	 4pc
B	Table top	 1pc
C	Umbrella cap	 1pc
D	Flat Washer	 8pcs
E	Spring Washer	 8pcs
F	Hex nut	 8pcs
G	Wrench	 1pc



Hardware Pack Location(s):

EFAR TESSERE DINING TABLE W HOLE

SKU# 74022220



# ASSEMBLY INSTRUCTIONS

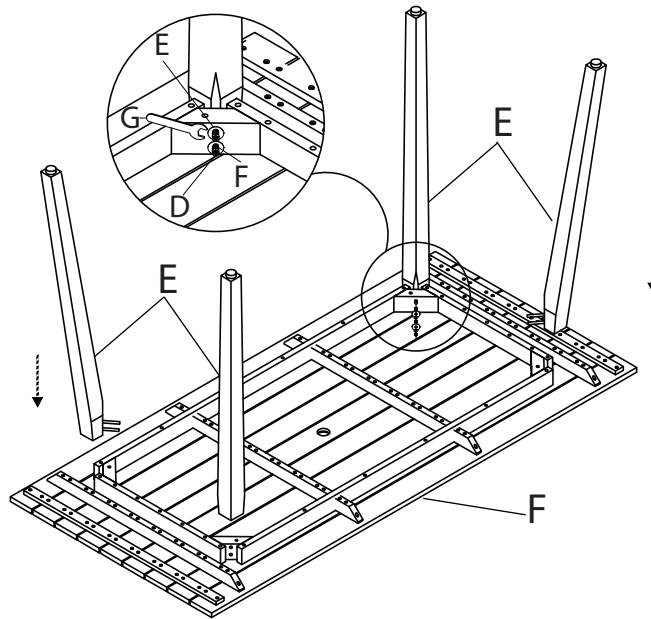
EFAR FK30 TESSERE DINING TABLE W HOLE

SKU# 74022220

Manufactured by EFAR for Rooms To Go

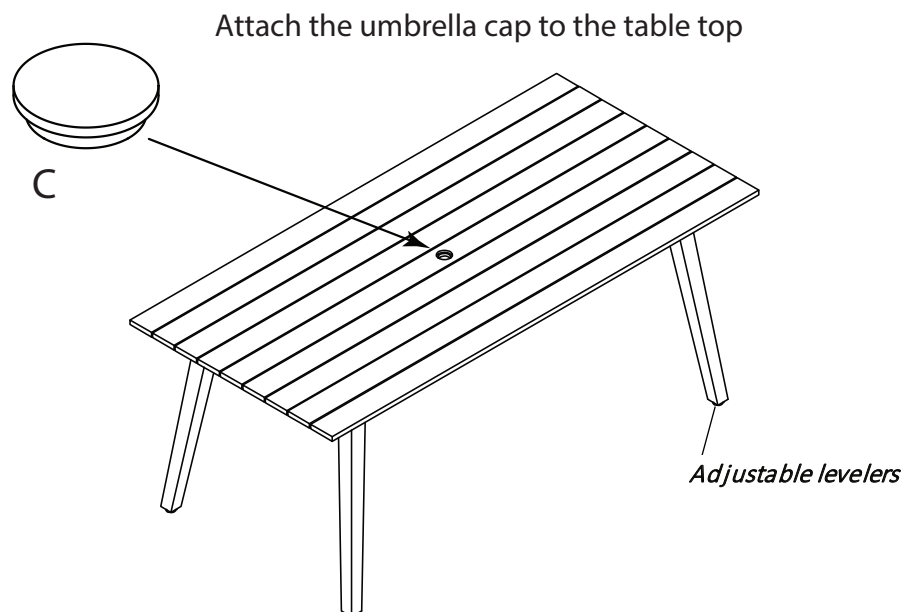
\*\*\*Caution: Please read all instructions carefully before starting the assembly process. These parts are cumbersome and heavy. Therefore, two people are recommended in order to prevent personal injury and insure the parts are not damaged during the assembly.

## STEP 1:



Place the Table top on the clean, soft surface as a blanket or carpet. Assemble the Leg part (A) to the Table top (B) by Flat washer, Spring washer, Hex nut (Part D,E,F) and loosely tighten with Wrench (Part G).When inserting the Hex nuts, loosely tighten each about 5-6 full turns and ensure each of the 4 Hex nuts fit well. Once all 4 are inserted and loosely tightened, proceed to fully tighten each Hex nut.

## STEP 2:



After assembling, your product is ready to use.