

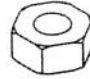

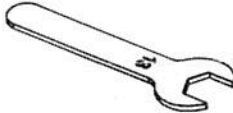
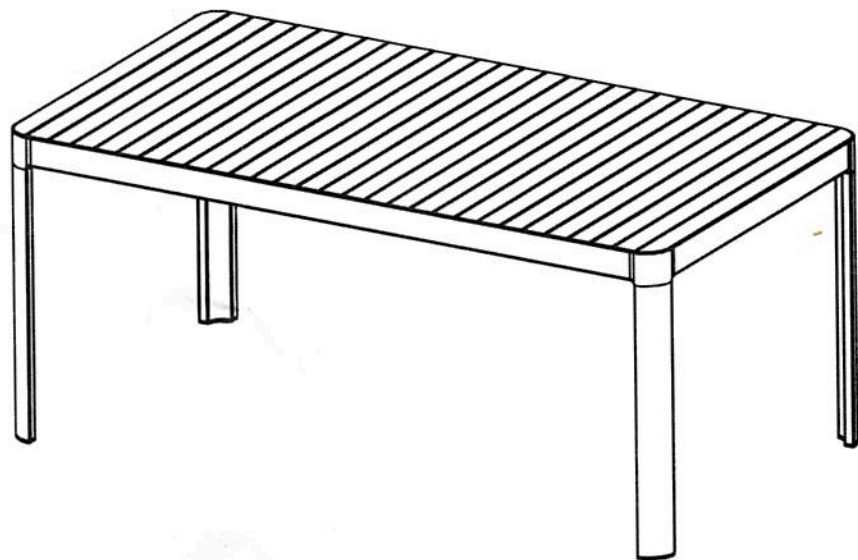




Assembly Instructions

SCIT Clemente Rec Tbl Tea SKU# 74048527/74048503

Step	Code	Hardware	Q'TY
1	A	Hex Nut 8x6mm, ST 	4pcs
1	B	Solid Bar Ø8x692mm. ST 	4pcs
2	A	Hex Nut 8x6mm, ST 	4pcs
2	C	Plain washer 8.5x17x3mm, ST 	4pcs
2	D	Wrench 13x88mm 	1pc



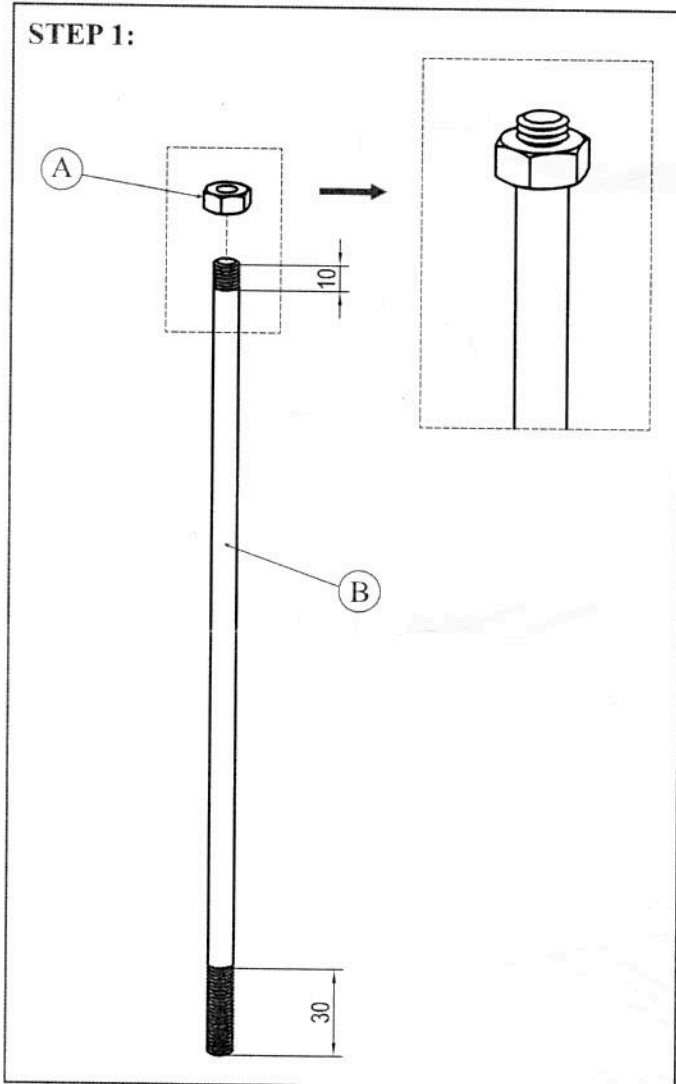
Hardware Pack Location(s):



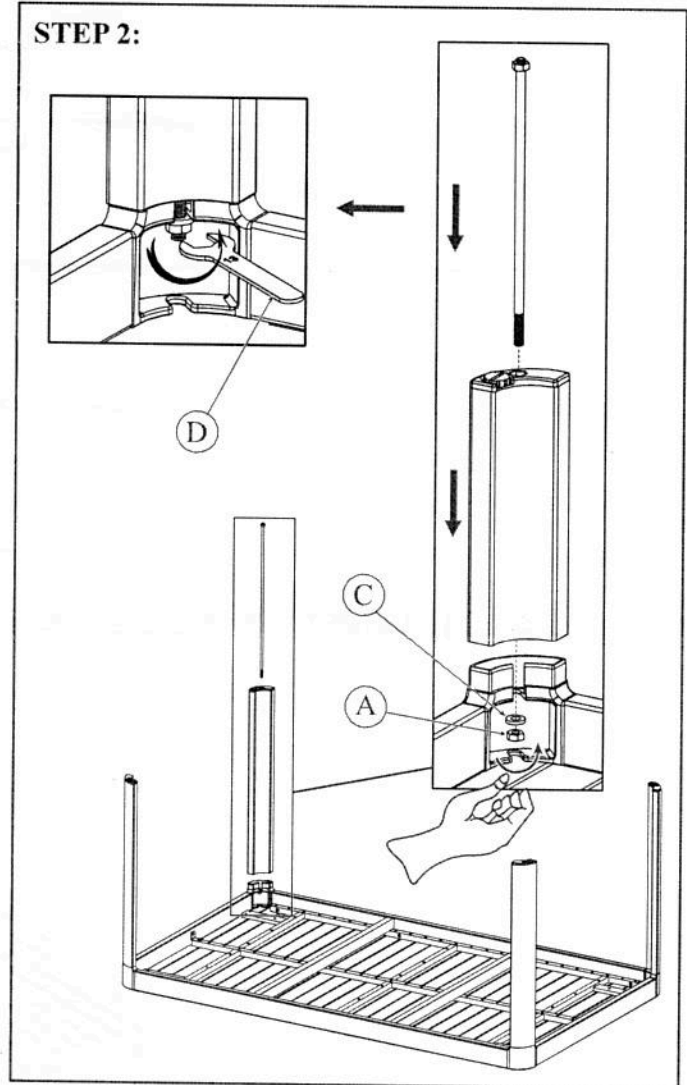
Assembly Instructions

SCIT Clemente Rec Tbl Tea SKU# 74048527/74048503

***Caution: Please read all instructions carefully before starting the assembly process. These parts are cumbersome and heavy. Therefore, two people are recommended in order to prevent personal injury and insure the parts are not damaged during the assembly.



Attach hex nut A with solid bar B.
Hand tighten only.



Attach the table legs to assembled the table top with plain washer C, hex nut A and solid bar. Hand tighten only.
To make sure it is level, making any necessary adjustment before tightening all bolts with wrench D.