

Assembly Instructions

Identify all parts packed in the carton against the parts list. Remove all protective materials. Place parts on a non-abrasive surface to avoid scratching.

Do Not Attempt Assembly If Any Parts Are Missing Or Damaged.

Warning: Please do not use acid or alkaline washing liquid to clean the product.

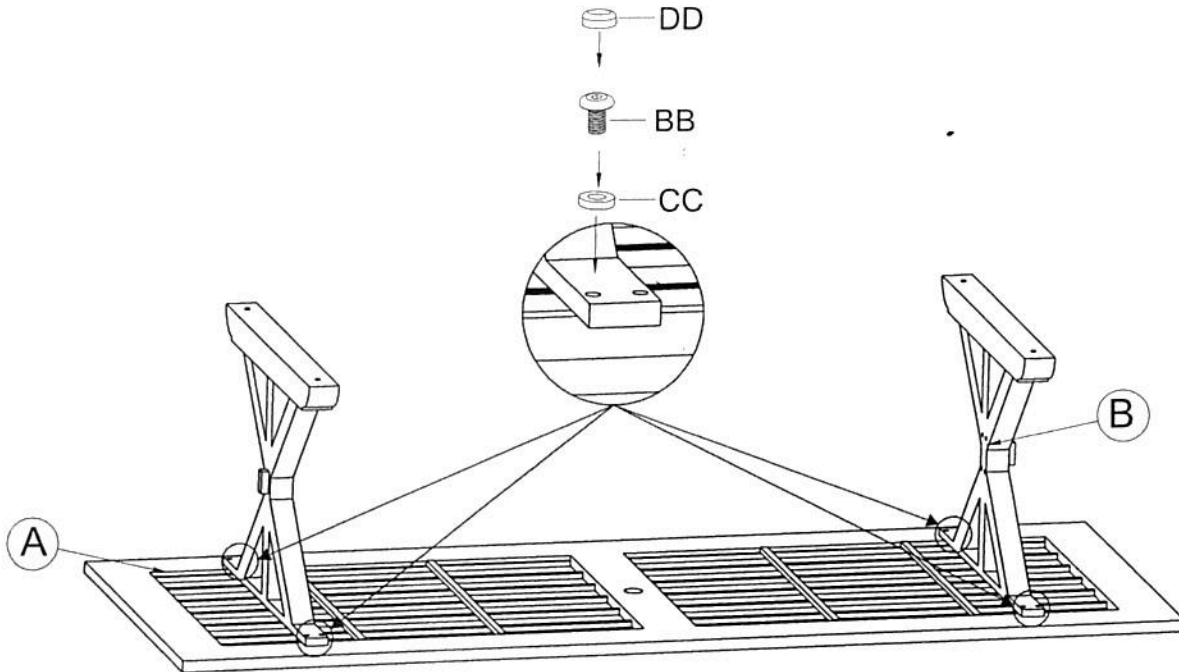
Assemble the product as shown below, step-by-step.

Part List

NO.	SKETCH	DESCRIPTION	QTY	NO.	SKETCH	DESCRIPTION	QTY
A		Table Top	1	AA		Bolt (M6*25)	8
B		Leg	2	BB		Bolt (M6*35)	8
C		Support Tube	1	CC		Steel Washer (Φ14*Φ6.5*1.5)	16
D		Foot Glider	4	DD		Bolt cap	16
				EE		Wrench	1

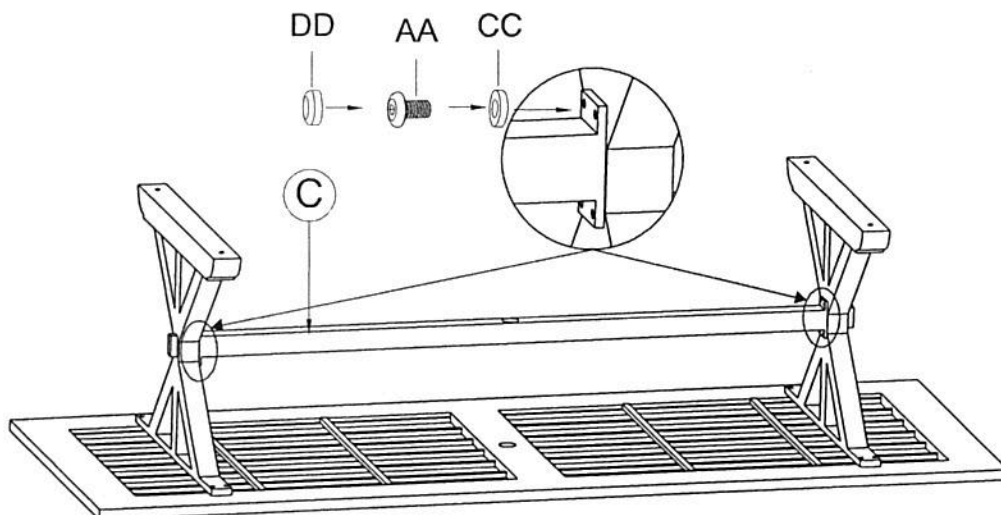
STEP 1

Assemble the legs (B) to the bottom of table top (A) using eight steel washers (CC), eight bolts M6x35mm (BB) and eight bolt caps (DD). Do not tighten the hardware completely until all the spare parts have been assembled.

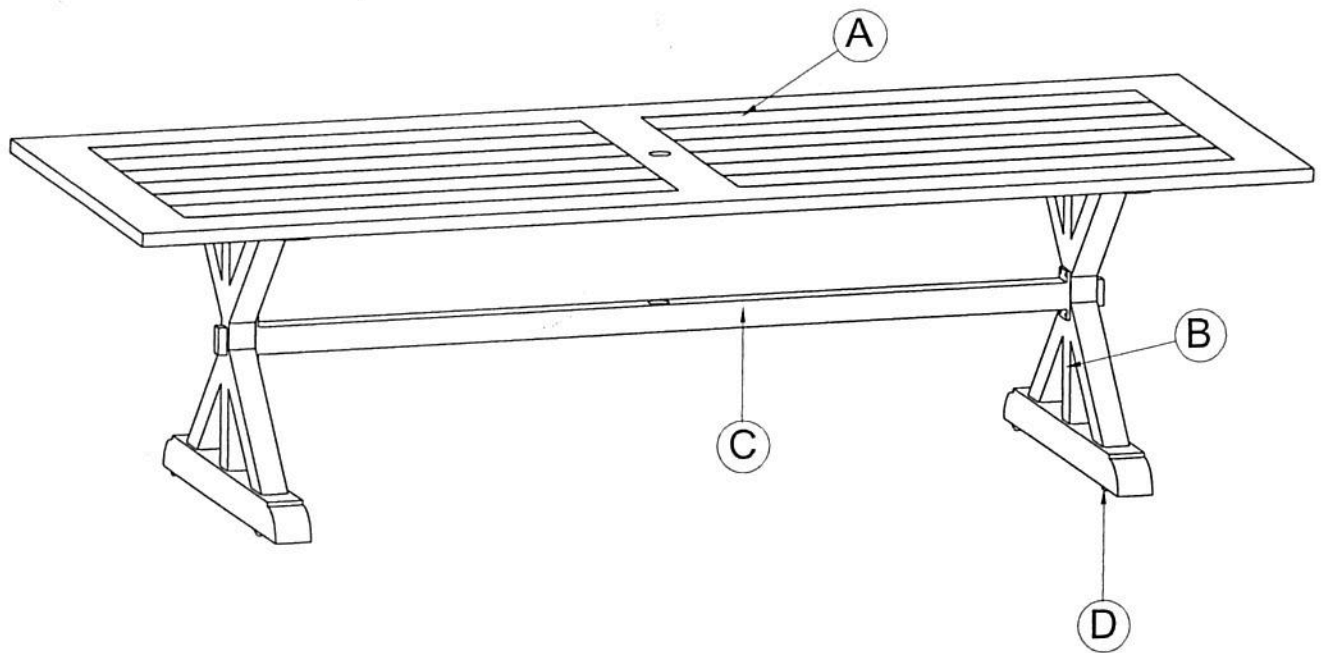


STEP 2

Attach the support tube (C) between two legs (B) using eight steel washers (CC), eight bolts M6x25mm (AA) and eight bolt caps (DD).



STEP 3



*DO NOT OVER TIGHTEN

*NO POWER TOOLS

