

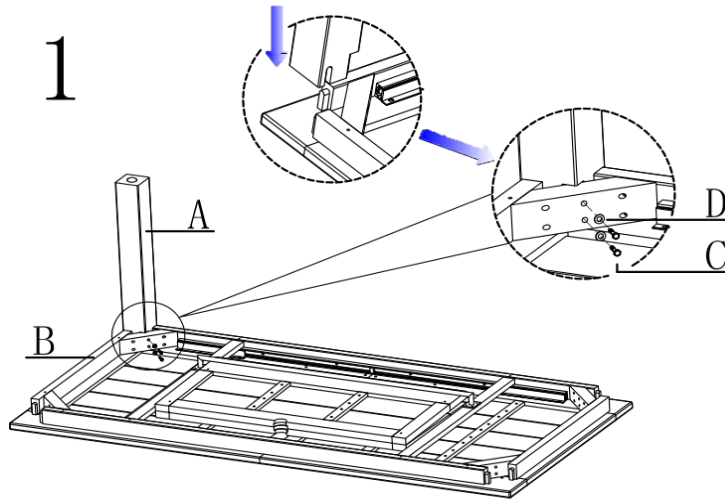


ASSEMBLY INSTRUCTION

SHGP HMP CV TEAK EXTENSION TABLE 86/130" X 42"
NATURAL SKU 74110025

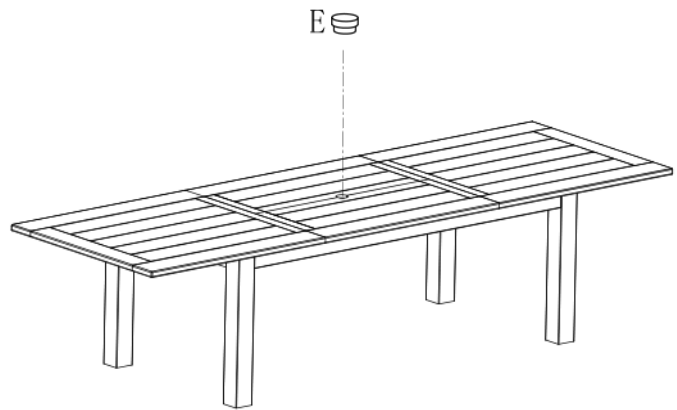
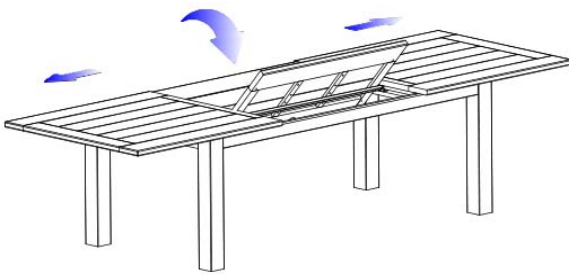
Thanks for purchasing this quality product. Be sure to check all packing materials carefully for small parts, which may have come loose inside the carton during shipment. Identify and count all parts and compare with the Hardware List below

Step 1 : Place the Table Top (Part B) on a clean, soft surface as a blanket or carpet. Assemble the 4 legs(Part A) to the Table Top B by Bolt (Part C) and washer (Part D) and tightening with Allen key (part F).



Step 2:After assembly ,place table on its legs and unlock the inner table lock ,put the umbrella cover on the top(part E).

Step 3 :After tightening all bolts, your product is ready for use



PARTS LIST

PARTS LIST

NO.:	PIC	DESC	QTY
A		Legs	4pcs
B		Table Top	1pc
E		Umbrella cover	1pc

NO.:	PIC	DESC	QTY
C		Bolts	8pcs
D		Washer	8pcs
F		Allan Key	1pc

Periodically check and make sure all bolts are fully tightened.