




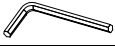
Assembly Instructions

HSNG

HSNG 8152 VINTAGE MIX CERAMIC
CASA VILLA RECTANGULAR DINING TABLE MULT

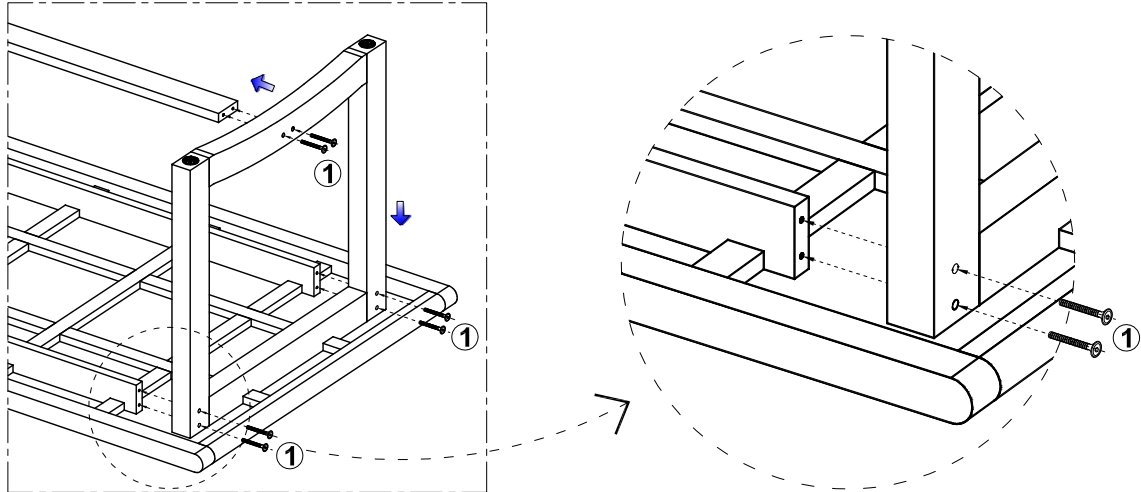
Vendor code: Manufactured by HSNG for RoomsToGo

SKU: 74181529

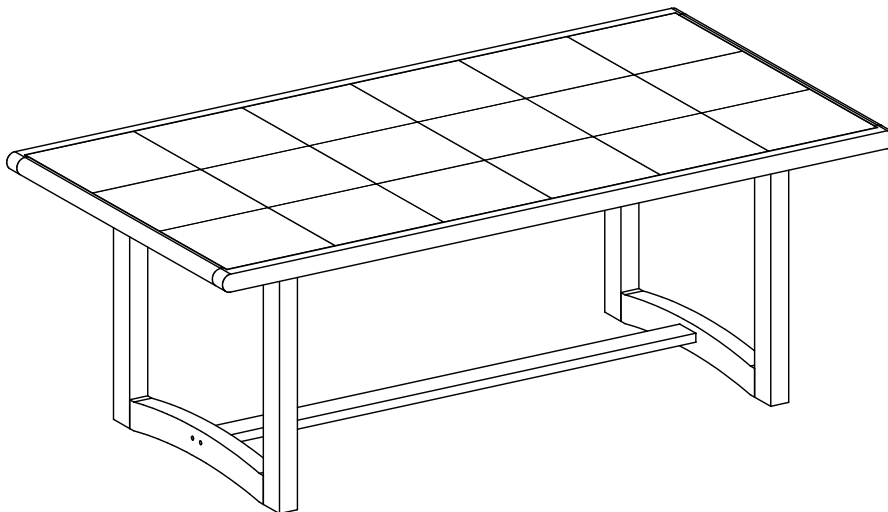
Step	Code	Hardware	Qty
01	01	Bolt M8X90 	12pcs
01	02	Allen Wrench M4 	1pc

1. We recommend that you should assemble this product with the assistance of another person, this will make assembly easier and will eliminate damage to the product or injury to persons during assembly.
2. Please do not over tighten screws or bolt until assembly is complete.
3. Please put all parts on a non-abrasive floor before assembly and follow assembly steps to assemble your newly purchased products correctly and efficiently.

Step: 01



*** Caution: Please read all instructions carefully before starting the assembly process. These parts are cumbersome and heavy. Therefore, two people are recommended in order to prevent personal injury and insure that the parts are not damaged during the assembly.



CASA VILLA RECTANGULAR DINING TABLE MULT | SKU:74181529